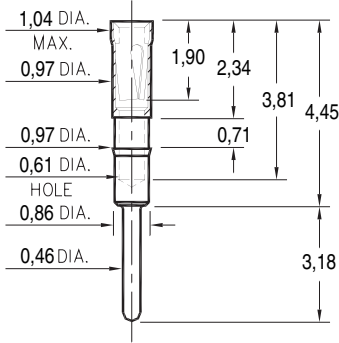
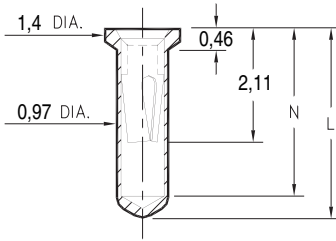


### 0467



**0467-0-15-XX-21-XX-04-0**  
Press-fit in 0,94 mounting hole

### 0552

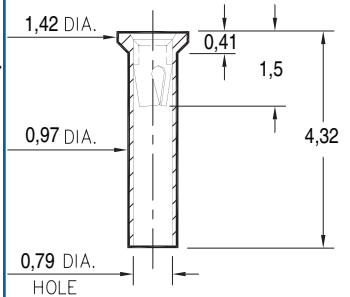


**0552-X-15-XX-X1-XX-10-0**

Solder mount in 1,02 min. mounting hole  
Also available on 16mm wide carrier tape: 1,500 parts per 330mm reel.  
Order as: 0552-X-57-XX-X1-XX-10-0

Basic Part Number	Length L	Depth N
0552-1	3,45	3,05
0552-2	4,32	3,81

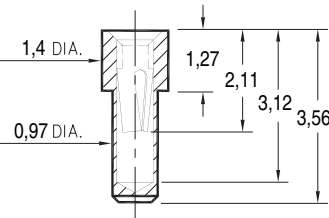
### 5522



**5522-0-15-XX-09-XX-10-0**

Solder mount in 1,02 min. mounting hole

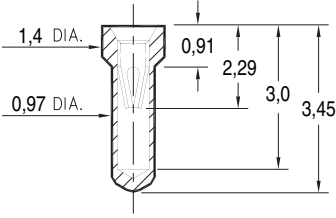
### 0569



**0569-0-15-XX-X1-XX-10-0**

Solder mount in 1,02 min mounting hole

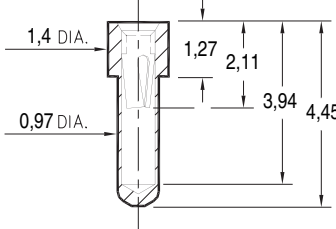
### 6023



**6023-0-15-XX-21-XX-10-0**

Solder mount in 1,02 min mounting hole

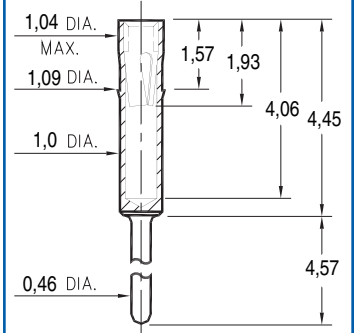
### 6214



**6214-0-15-XX-21-XX-10-0**

Solder mount in 1,02 min mounting hole

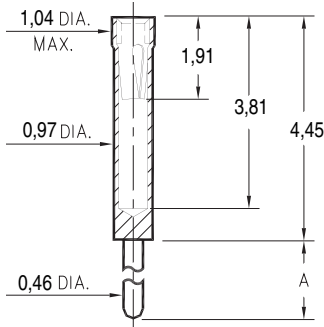
### 2086



**2086-0-15-XX-21-XX-04-0**

Press-fit in 1,02 mounting hole

### 0461

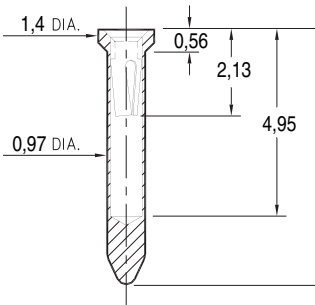


**0461-X-15-XX-X1-XX-04-0**

Solder mount in 0,51 min. mounting hole

Basic Part Number	Length A
0461-0	10,16
0461-1	6,99
0461-2	4,57
0461-3	3,18
0461-4	1,52
0461-5	11,18

### 8579



**8579-0-15-XX-X1-XX-10-0**

Solder mount in 1,02 min mounting hole

Basic Part Number	Length L
8579-0	5,94
8579-1	7,49

## SPECIFICATIONS

**SHELL MATERIAL:**  
Brass Alloy 360, 1/2 Hard

**CONTACT MATERIAL:**  
Beryllium Copper Alloy 172, HT

**PART MANUFACTURED IN INCHES, METRIC FOR REF ONLY**

**TOLERANCES ON:**  
LENGTHS: ± 0,13  
DIAMETERS: ± 0,05  
ANGLES: ± 2°

**ORDER CODE: XXXX - X - 15 - XX - XX - XX - XX - 0**

**BASIC PART #** →

**SPECIFY SHELL FINISH:**

- 01 5,08µm TIN/LEAD OVER NICKEL
- 80 5,08µm TIN OVER NICKEL ◊
- 15 0,25µm GOLD OVER NICKEL ◊

**SPECIFY CONTACT FINISH:**

- 02 2,54µm TIN/LEAD OVER NICKEL
- 84 2,54µm TIN OVER NICKEL ◊
- 27 0,76µm GOLD OVER NICKEL ◊



**SELECT CONTACT**

#09, #11 or #21 CONTACT (DATA ON PAGE 206)