

LOC	DIST	REVISIONS					
AD	00	P	LTR	DESCRIPTION	DATE	DWN	APVD
		A		ECO-05-10251	28SEP05	RB	MS

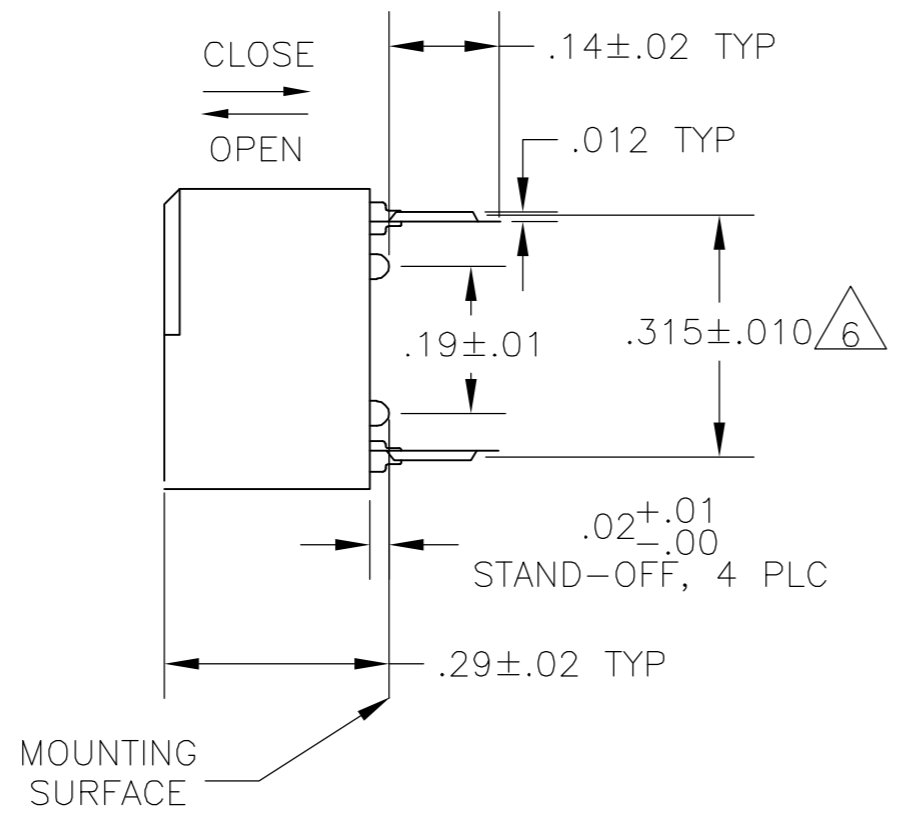
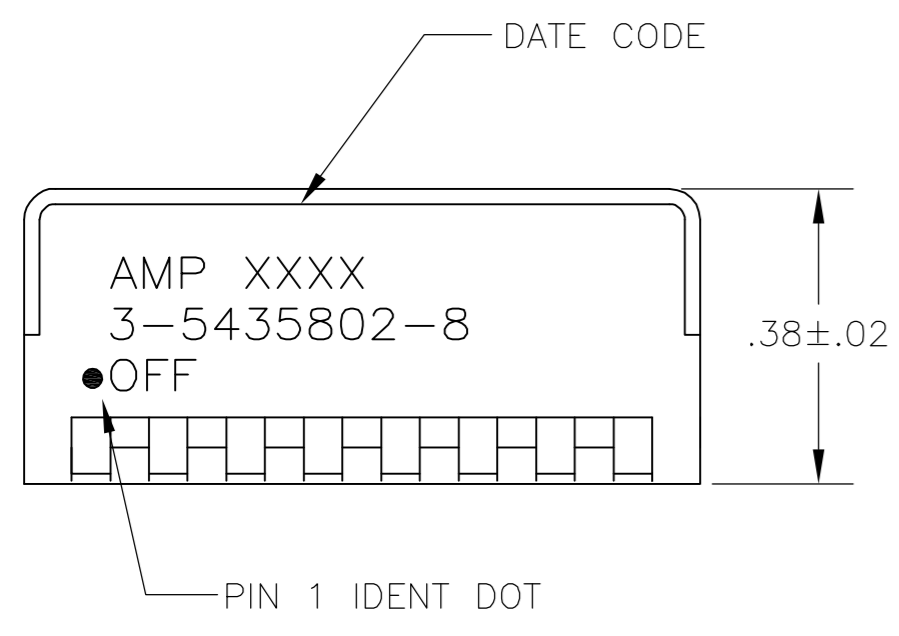
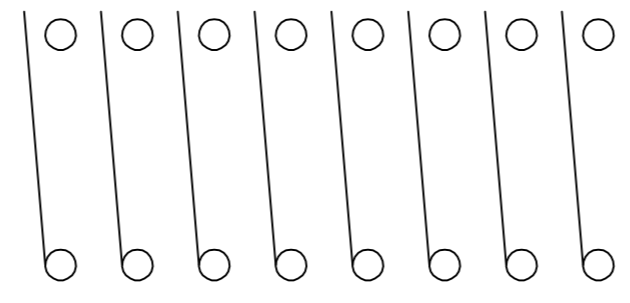
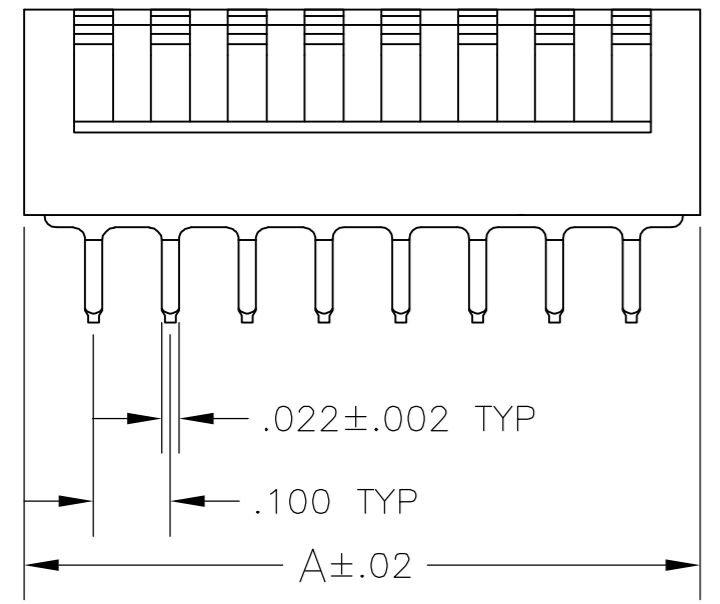


FIG 1



CONTENT ARRANGEMENT

1. FOR ADDITIONAL SPECIFICATIONS SEE AMP PRODUCT SPEC 108-7519.
2. SWITCH SHOWN IN OPEN POSITION.
3. ALL CHARACTERS AND ROCKERS ARE WHITE, HOUSING IS BLACK.
4. STAMPING WILL VARY ON 2 AND 3 POSITION TOPS DUE TO SPACE RESTRICTIONS.
5. STRIPPABLE TRANSPARENT SEAL, SEE FIG 6.
6. .315 DIMENSION APPLIES AT TERMINAL TIPS. TERMINALS ARE .300±.010 AT MOUNTING SURFACE.
7. NO POSITION MARKING.
8. NO PART NO. MARKING.
9. STRIPPABLE TAPE SEAL, SEE FIGURE 8.
10. ALL MATERIALS AND FINISHES SHALL COMPLY WITH EU DIRECTIVE 2002/95/EC OF 27JAN2003 (ROHS)
11. MATERIAL: HOUSING AND ROCKERS - POLYESTER
CONTACT & SOLDER LEAD - COPPER ALLOY
12. FINISH: CONTACT - GOLD OVER NICKEL
SOLDER LEAD - TIN OVER NICKEL

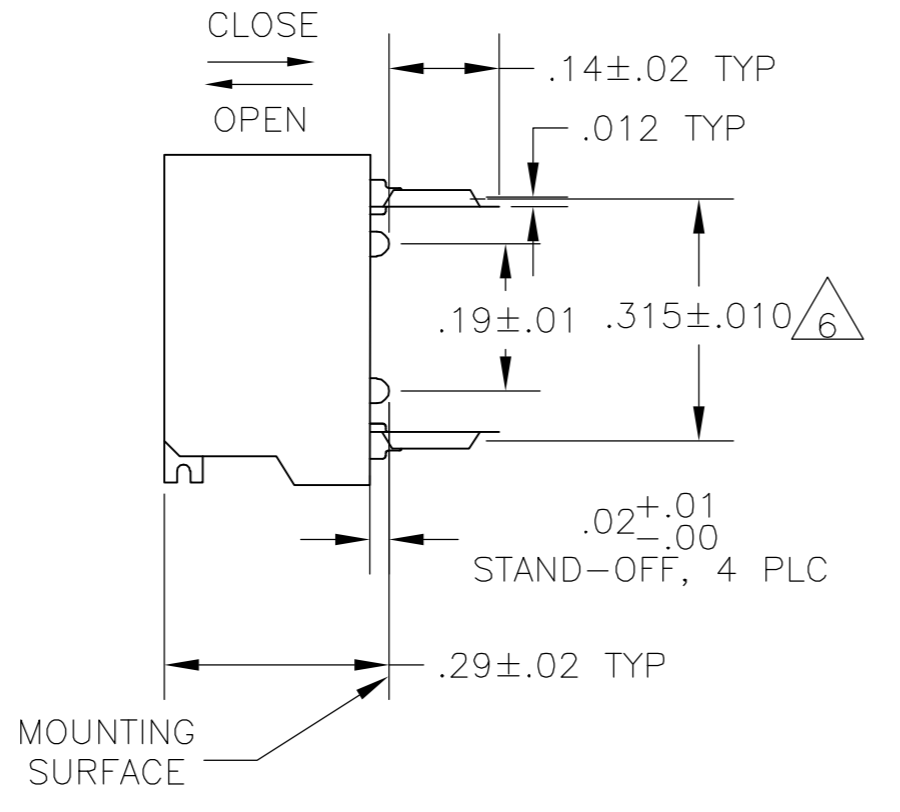
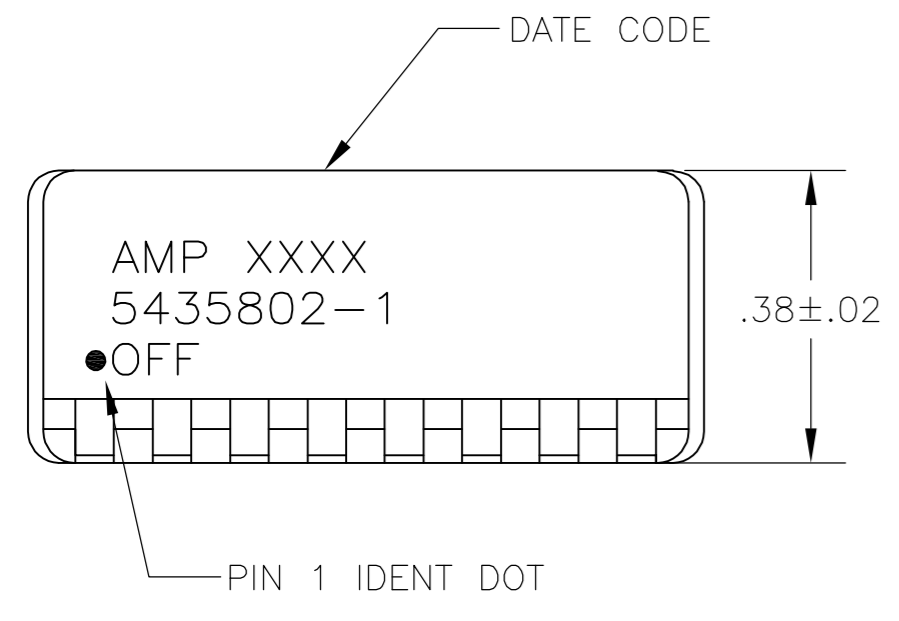


FIG 2

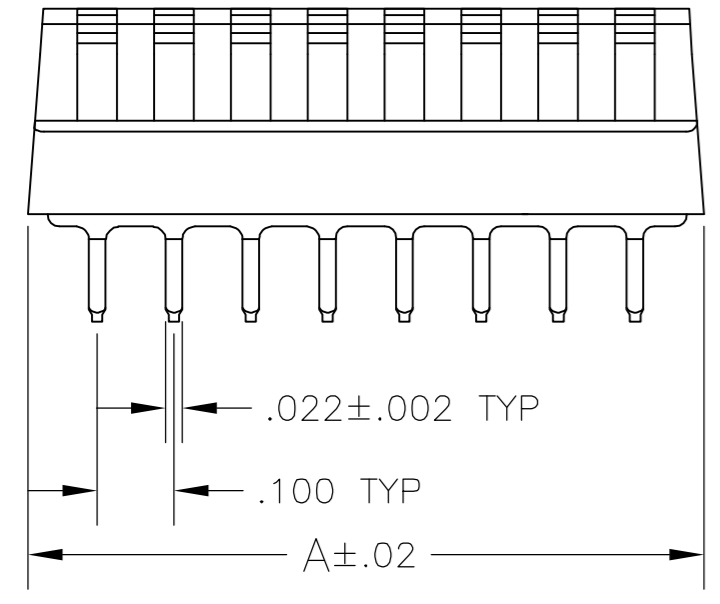


FIG 2	FIG 3A& 7		1.08	10	6-5435802-3		
FIG 1	FIG 3B	9	.88	8	3-5435802-8		
FIG 2	7 8	5	.88	8	3-5435802-0		
FIG 2	7 8	5	.48	4	2-5435802-9		
FIG 2	FIG 3A	5	1.28	12	2-5435802-2		
FIG 2			1.18	11	2-5435802-1		
FIG 2			1.08	10	2-5435802-0		
FIG 2			.98	9	1-5435802-9		
FIG 2			.78	7	1-5435802-8		
FIG 2			.68	6	1-5435802-7		
FIG 2			.58	5	1-5435802-6		
FIG 2			.48	4	1-5435802-5		
FIG 2			1.28	12	1-5435802-2		
FIG 1			FIG 3B		.28	2	1-5435802-0
FIG 2	FIG 3A	5	.88	8	5435802-9		
FIG 2			1.08	10	5435802-8		
FIG 2			.98	9	5435802-7		
FIG 2			.78	7	5435802-6		
FIG 2			.68	6	5435802-5		
FIG 2			.58	5	5435802-4		
FIG 2			.48	4	5435802-3		
FIG 2			FIG 3A		.38	3	5435802-2
FIG 2			FIG 3A		.88	8	5435802-1
HOUSING			MARKING	PROT-ECTIVE SEAL	A	NO OF POSN	PART NO

5435802-1 SHOWN

THIS DRAWING IS A CONTROLLED DOCUMENT.		DWN R. TALLEY 19-9-89	Tyco Electronics Corporation Harrisburg, Pa 17105-3608			
DIMENSIONS: INCHES		CHK R. MILLER 19-9-89				
TOLERANCES UNLESS OTHERWISE SPECIFIED:		APVD H. LEITER 19-9-89	NAME			
0 PLC ± - 1 PLC ± - 2 PLC ± - 3 PLC ± .005 4 PLC ± - ANGLES ± - FINISH		PRODUCT SPEC	SWITCH ASSY, DIP, TYPE C, 7000 SERIES, SPST, SIDE ACTUATED			
MATERIAL		APPLICATION SPEC	SIZE	CAGE CODE	DRAWING NO	RESTRICTED TO
		WEIGHT	A2	00779	C=5435802	
		CUSTOMER DRAWING	SCALE	4:1	SHEET	1 OF 2
						REV A

THIS DRAWING IS UNPUBLISHED. RELEASED FOR PUBLICATION
 © COPYRIGHT BY TYCO ELECTRONICS CORPORATION. ALL RIGHTS RESERVED.

LOC	DIST	REVISIONS			
P	LTR	DESCRIPTION	DATE	DWN	APVD
AD	00	SEE SHEET 1	-	-	-

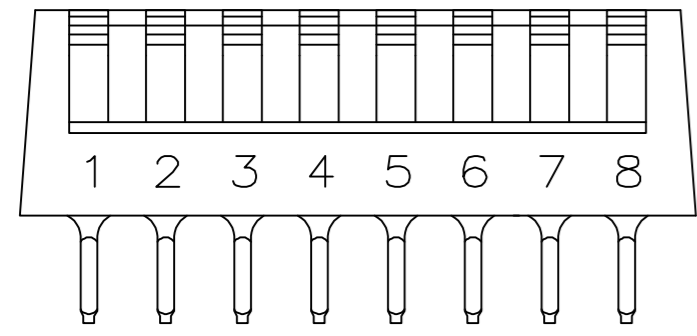


FIG 3A

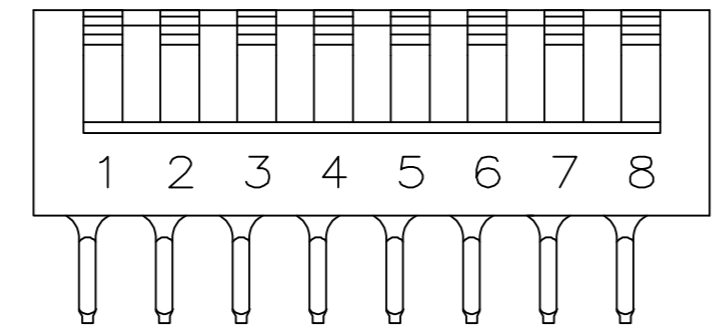


FIG 3B

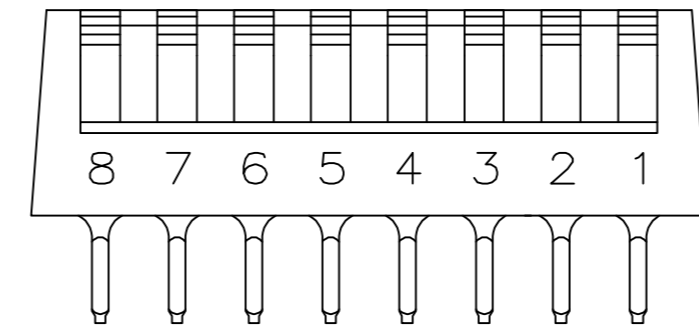
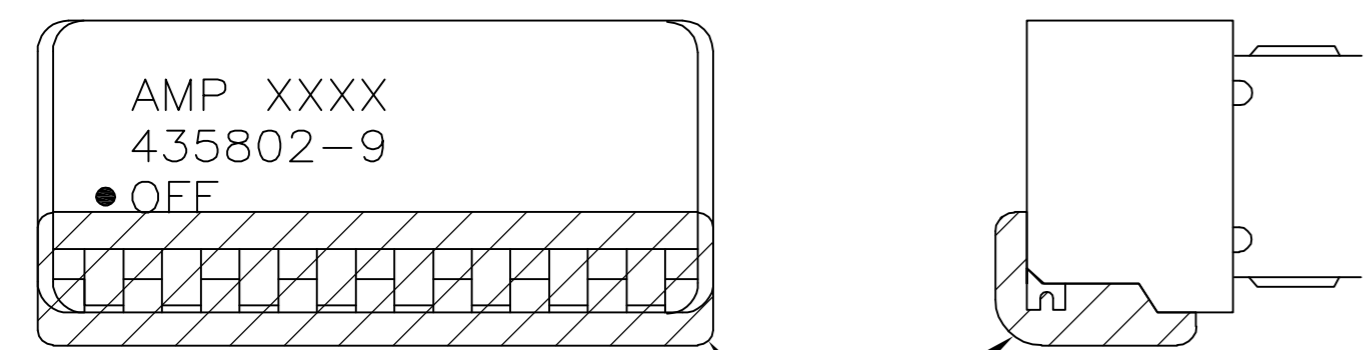
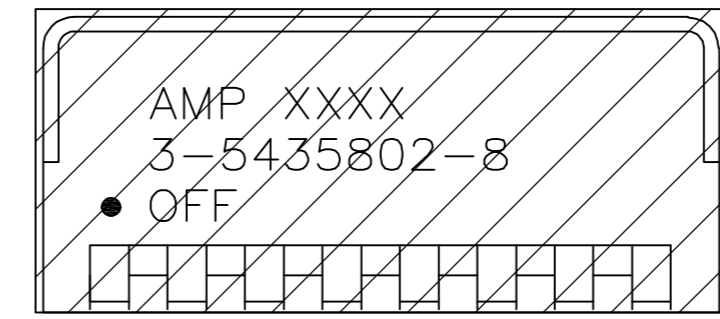


FIG 4



PROTECTIVE SEAL
FIG 6



PROTECTIVE SEAL

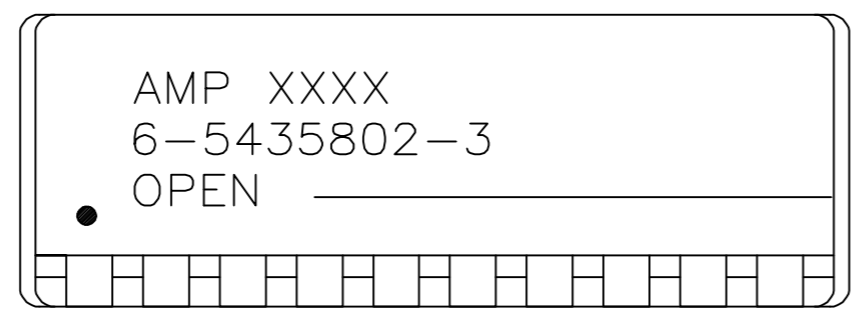


FIG 7

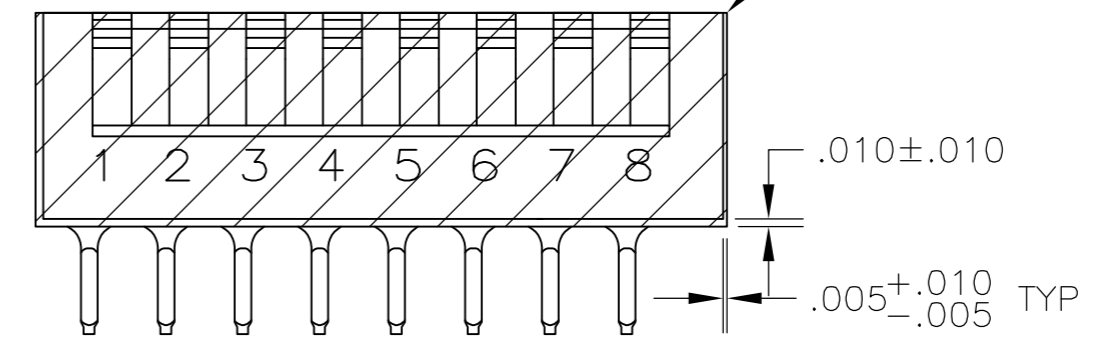


FIG 8

THIS DRAWING IS A CONTROLLED DOCUMENT.		DWN R. TALLEY 19-9-89	 Tyco Electronics Corporation Harrisburg, Pa 17105-3608														
DIMENSIONS: INCHES		CHK R. MILLER 19-9-89															
TOLERANCES UNLESS OTHERWISE SPECIFIED:		APVD H. LEITER 19-9-89	NAME SWITCH ASSY, DIP, TYPE "C", 7000 SERIES, SPST, SIDE ACTUATED														
<table border="0"> <tr><td>0 PLC</td><td>± -</td></tr> <tr><td>1 PLC</td><td>± -</td></tr> <tr><td>2 PLC</td><td>± -</td></tr> <tr><td>3 PLC</td><td>± .005</td></tr> <tr><td>4 PLC</td><td>± -</td></tr> <tr><td>ANGLES</td><td>± -</td></tr> <tr><td>FINISH</td><td>± -</td></tr> </table>		0 PLC	± -	1 PLC	± -	2 PLC	± -	3 PLC	± .005	4 PLC	± -	ANGLES	± -	FINISH	± -	PRODUCT SPEC APPLICATION SPEC	SIZE A2
0 PLC	± -																
1 PLC	± -																
2 PLC	± -																
3 PLC	± .005																
4 PLC	± -																
ANGLES	± -																
FINISH	± -																
MATERIAL SEE SHEET 1	FINISH SEE SHEET 1	WEIGHT -	CAGE CODE 00779														
CUSTOMER DRAWING		SCALE 4:1	DRAWING NO C=5435802														
		SHEET 2	OF 2														
		REV A	RESTRICTED TO -														