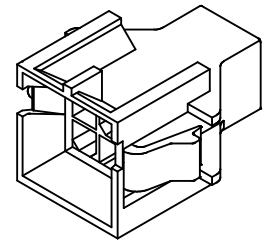
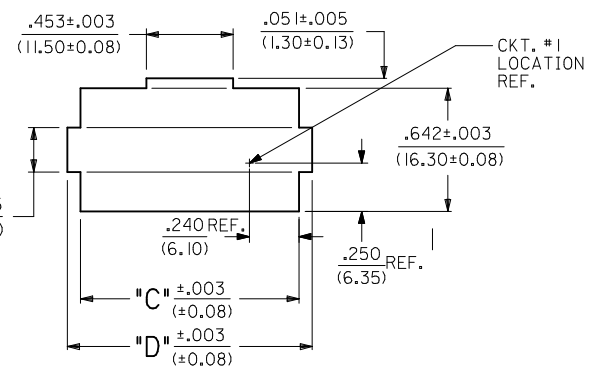
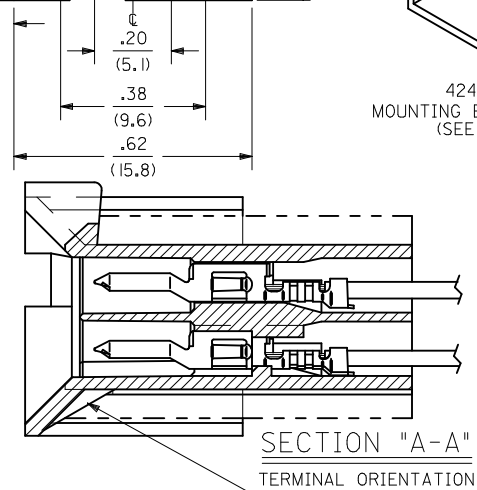
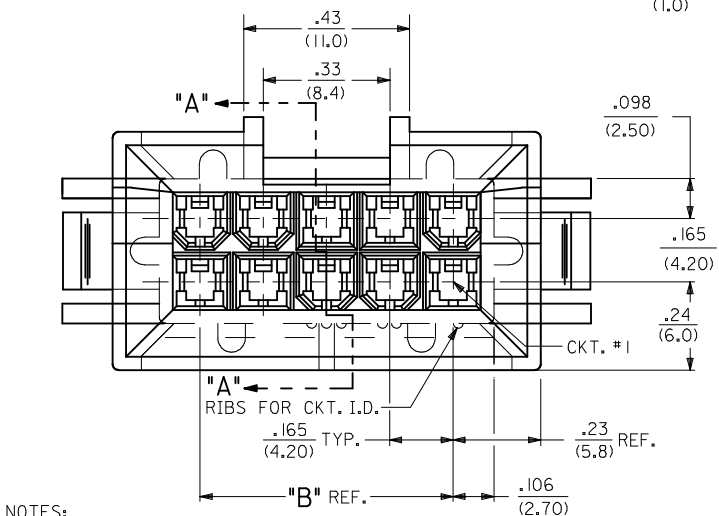


42475-***1
MOUNTING EAR DESIGN "A"
(SEE NOTE 9)



42475-***1
MOUNTING EAR DESIGN "B"
(SEE NOTE 9)

| CIRCUIT SIZE | DIM. "A" | DIM. "B" | DIM. "C" | DIM. "D" |
|--------------|----------------|----------------|------------------|------------------|
| 6 | .54 (13.8) | .33 (8.4) | .807 (20.50) | .945 (24.00) |
| 8 | .71 (18.0) | .50 (12.6) | .972 (24.70) | 1.110 (28.20) |
| 10 | .87 (22.2) | .66 (16.8) | 1.138 (28.90) | 1.276 (32.40) |
| 12 | 1.04 (26.4) | .83 (21.0) | 1.303 (33.10) | 1.441 (36.60) |
| 14 | 1.20 (30.6) | .99 (25.2) | 1.469 (37.30) | 1.606 (40.80) |
| 16 | 1.37 (34.8) | 1.16 (29.4) | 1.643 (41.50) | 1.772 (45.00) |
| 18 | 1.54 (39.0) | 1.32 (33.6) | 1.799 (45.70) | 1.937 (49.20) |
| 20 | 1.70 (43.2) | 1.49 (37.8) | 1.965 (49.90) | 2.102 (53.40) |
| 22 | 1.87 (47.4) | 1.65 (42.0) | 2.130 (54.10) | 2.268 (57.60) |
| 24 | 2.03 (51.6) | 1.82 (46.2) | 2.295 (58.30) | 2.433 (61.80) |



RECOMMENDED CUT-OUT FOR .063/(1.60)
MAX. THICK P.C. BOARD. (6-24 CKT.'S.)

SCALE: 2X

NOTES:

- 1) MATERIAL:
 1 = NYLON (PA6/6), UNFILLED, UL94 V-2, COLOR: NATURAL
 2 = NYLON (PA6/6), UNFILLED, UL94 V-0, COLOR: NATURAL
 3 = NYLON (PA6/6), UNFILLED, UL94 V-2, COLOR: BLACK
 4 = NYLON (PA6/6), UNFILLED, UL94 V-0, COLOR: BLACK
- 2) FINISH NOT APPLICABLE.
 3) THIS PART CONFORMS TO MOLEX PRODUCT SPEC. NO. PS-5556-002.
 4) PACKAGING: PK-42474-001
 5) 6-24 CKT. PARTS MATE WITH MOLEX RECEPTACLES 5557, 42385 AND 42474. 2 AND 4 CKT. PARTS MATE WITH 42385 AND 42474 ONLY.
 6) PART IS FOR USE WITH MALE TERMINAL #5558.
 7) PART ALLOWS FOR UP TO .100/(2.54) MISALIGNMENT WITH MATING RECEPTACLE IN ANY DIRECTION. SEE MATING CONNECTOR DRAWINGS FOR SPECIFIC ALLOWANCES.
 8) PANEL CUT-OUT TO BE PUNCHED IN THE SAME DIRECTION AS CONNECTOR INSERTION.
 9) PARTS MANUFACTURED AFTER 95/12/31 MAY HAVE MOUNTING EAR DESIGN "B" PARTS WITH MOUNTING EAR DESIGN "A" WILL BE OBSOLETE AS TOOL LIFE DICTATES. IN SOME CASES, PARTS MAY BE AVAILABLE WITH BOTH MOUNTING EAR DESIGNS. SEE CHART ON SHEET 4 FOR SPECIFIC EAR DESIGN AVAILABILITY.

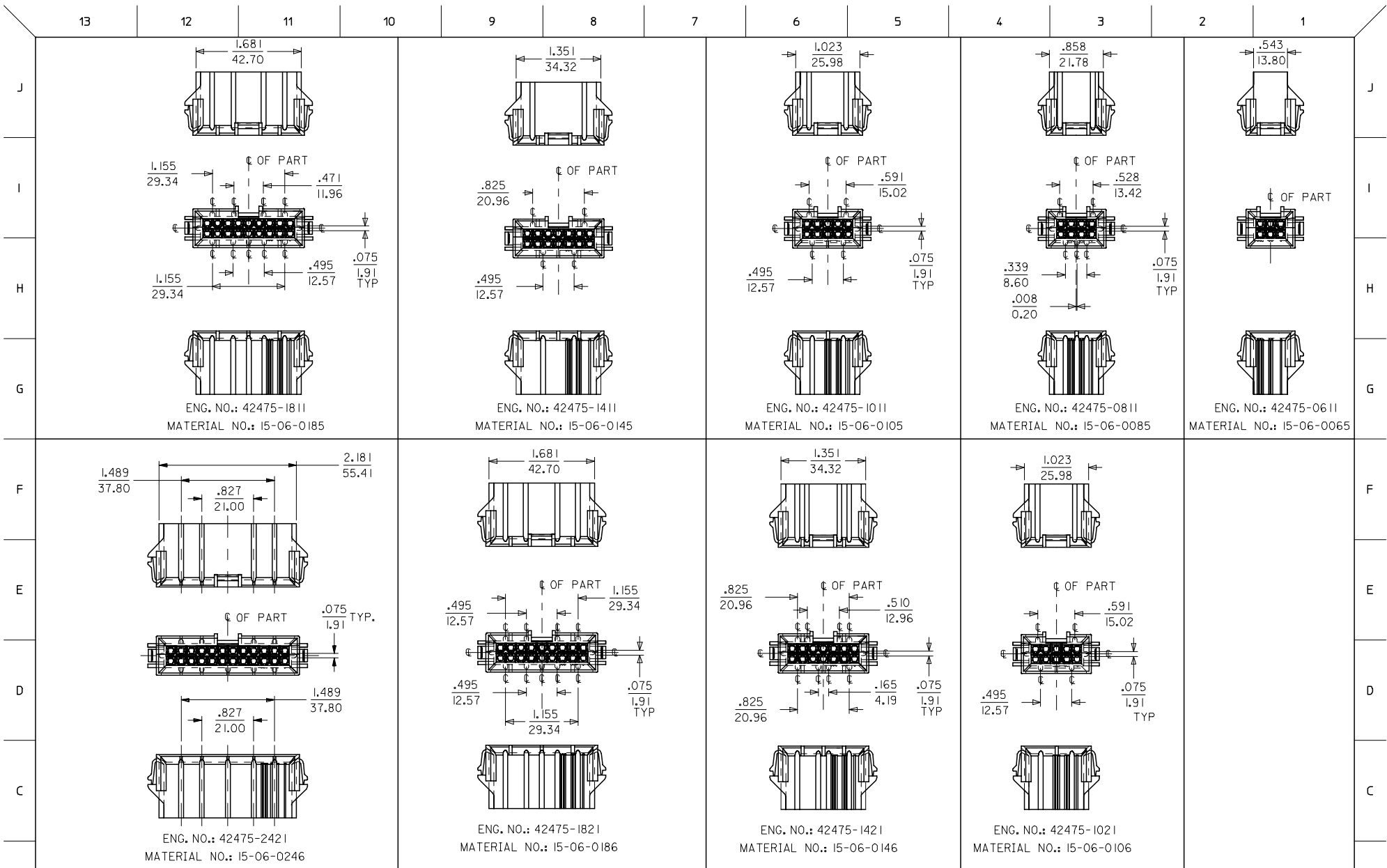
- 10) FOR MANUFACTURING EASE PARTS MAY HAVE OPTIONAL EJECTOR RIBS. SEE SHT. 3 FOR LOCATION.
 11) DIMENSION DOES NOT INCLUDE EJECTOR RIBS (SEE PAGE #3 FOR PARTS WITH RIBS, RIB DIMENSIONS AND LOCATION).
 12) IF THIS PRODUCT IS STORED IN AN ENVIRONMENT WITH A RELATIVE HUMIDITY OF LESS THAN 50%, MOISTURE MUST BE ADDED. REFER TO TECHNICAL ADVISORY AS-45499-001 FOR INSTRUCTIONS.
 13) INTERIOR RIB LOCATION MAY VARY.

- 14) CONNECTOR ASSEMBLIES ARE NOT TO BE MATED OR UNMATED WHILE CIRCUITS ARE LIVE.
 15) WIRES ARE TO BE DRESSED IN SUCH A MANNER TO ALLOW THE TERMINALS TO FLOAT FREELY IN THE POCKET.
 16) PART CONFORMS TO CLASS "B" REQUIREMENTS OF COSMETIC SPECIFICATION PS-45499-022.

| | |
|-----------|----|
| 4 | S1 |
| 3 | S |
| 2 | S |
| 1 | S1 |
| SHEET REV | |

| ADDED 50362323 EC NO: UCP2009-0892 DRWING: JALOSTHEMER 2008/10/09 CHKD: JEBELL 2008/10/14 APPR: FSMITH 2008/10/15 | QUALITY SYMBOLS | GENERAL TOLERANCES (UNLESS SPECIFIED) | DIMENSION STYLE | SCALE | DESIGN UNITS | THIRD ANGLE PROJECTION | | | | | | | | | | | | | | | |
|-------------------------------------------------------------------------------------------------------------------------------|---------------------------------------------------------------------------------------------------------|---------------------------------------------------------------------------------------------------------------------------------------------------------------------------------------------------------------------------------------------------------------------------------------------------------------------------|-------------------------------------------------------------------------------------------------------------------------------|--------------------------------------|----------------------------|------------------------|-------|-------|----------|-------|--------|----------|--------|--------|---------|--------|-------|-------|-----|--------|--|
| | $\nabla=0$ $\nabla=0$ | <table border="1"> <tr> <th></th> <th>mm</th> <th>INCH</th> </tr> <tr> <td>4 PLACES</td> <td>± ---</td> <td>± ---</td> </tr> <tr> <td>3 PLACES</td> <td>± ---</td> <td>± .010</td> </tr> <tr> <td>2 PLACES</td> <td>± 0.25</td> <td>± .015</td> </tr> <tr> <td>1 PLACE</td> <td>± 0.38</td> <td>± ---</td> </tr> </table> | | mm | INCH | 4 PLACES | ± --- | ± --- | 3 PLACES | ± --- | ± .010 | 2 PLACES | ± 0.25 | ± .015 | 1 PLACE | ± 0.38 | ± --- | IN/MM | 4:1 | METRIC | |
| | | mm | INCH | | | | | | | | | | | | | | | | | | |
| | 4 PLACES | ± --- | ± --- | | | | | | | | | | | | | | | | | | |
| 3 PLACES | ± --- | ± .010 | | | | | | | | | | | | | | | | | | | |
| 2 PLACES | ± 0.25 | ± .015 | | | | | | | | | | | | | | | | | | | |
| 1 PLACE | ± 0.38 | ± --- | | | | | | | | | | | | | | | | | | | |
| DRAFT WHERE APPLICABLE MUST REMAIN WITHIN DIMENSIONS | DRAWN BY: GEP DATE: 1989/07/18 CHECKED BY: RJF DATE: 1989/07/18 APPROVED BY: RAS DATE: 1989/07/18 | MATERIAL NO. SEE SHEET 4 | TITLE PLUG HOUSING B.M.I. 2-24 CIRCUITS MINI-FIT SERIES | DOCUMENT NO. SD-42475-***1 | SHEET NO. 1 OF 4 | | | | | | | | | | | | | | | | |
| S1 | | | THIS DRAWING CONTAINS INFORMATION THAT IS PROPRIETARY TO MOLEX INCORPORATED AND SHOULD NOT BE USED WITHOUT WRITTEN PERMISSION | | | | | | | | | | | | | | | | | | |

SEE SHEET 2 FOR 2 & 4 CKT. PARTS



NOTES:

1) DIMENSIONS GIVEN ACROSS CENTERLINES ARE SYMMETRICAL ABOUT THOSE CENTERLINES WITHIN HALF THE TOTAL TOLERANCE.

MODIFIED TITLE BLK
 EC NO: UCP2007-3279
 DRWALLSCHMIDT 2007/09/05
 CHKD:LSCHMIDT 2007/09/07
 APPR:FSM TH 2007/09/07

QUALITY SYMBOLS

| GENERAL TOLERANCES (UNLESS SPECIFIED) | |
|---------------------------------------|---------|
| mm | INCH |
| 4 PLACES ± .010 | ± .0004 |
| 3 PLACES ± .015 | ± .0005 |
| 2 PLACES ± 0.25 | ± .010 |
| 1 PLACE ± 0.38 | ± .015 |
| ANGULAR ±1/2° | |

DRAFT WHERE APPLICABLE MUST REMAIN WITHIN DIMENSIONS

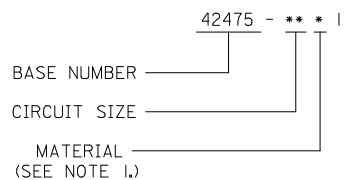
| DIMENSION STYLE | |
|-----------------|------------|
| IN/MM | DATE |
| CHECKED BY | DATE |
| MAB | 1998/04/16 |
| APPROVED BY | DATE |
| RE | 1998/04/16 |

SCALE 1:1
 DESIGN UNITS METRIC
 THIRD ANGLE PROJECTION
**PLUG HOUSING B.M.I
 2-24 CIRCUITS
 MINI-FIT SERIES**

MOLEX INCORPORATED
 MATERIAL NO. SD-42475-***1
 DOCUMENT NO.
 SHEET NO. 3 OF 4

| | 13 | 12 | 11 | 10 | 9 | 8 | 7 | 6 | 5 | 4 | 3 | 2 | 1 | | |
|---|-------------|-------------|-----------|------------------------|-------------|-----------|------------------------|-------------------|----------------------------------|--------------------------------|--------------------------|------------------|---------------------------|--------------|---------|
| | PART NUMBER | ENG. NUMBER | CKT. SIZE | MATERIAL (SEE NOTE 1.) | PART NUMBER | CKT. SIZE | MATERIAL (SEE NOTE 1.) | MOUNTING EAR TYPE | | | | | | | |
| | | | | | | | | CKT. SIZE | DESIGN A, DESIGN B (SEE SHEET I) | | | | | | |
| J | NOT TOOLED | 42475-0211 | 2 | I | | | | | | 42475-***2I, 5558-GS* | 42474-***2I, 5556-PBGS*P | 94V-0 | PHOS. BRZ. | GOLD | |
| | | | | | | | | | | 42475-***1I, 5558-GS* | 42474-***1I, 5556-PBGS*P | 94V-2 | | | |
| | 15-06-0045 | 42475-0411 | 4 | | 42475-0431 | 4 | | 2 | N/A | 42475-***2I, 5558-GS* | 42474-***2I, 5556-GS*P | 94V-0 | BRASS | GOLD | |
| | | | | | | | | | | 42475-***1I, 5558-GS* | 42474-***1I, 5556-GS*P | 94V-2 | | | |
| | 15-06-0065 | 42475-0611 | 6 | | 42475-0631 | 6 | | 4 | B | 42475-***2I, 5558-PBS* | 42474-***2I, 5556-PBS*P | 94V-0 | PHOS. BRZ. | TIN | |
| | | | | | | | | | | 42475-***1I, 5558-PBS* | 42474-***1I, 5556-PBS*P | 94V-2 | | | |
| I | 15-06-0085 | 42475-0811 | 8 | | 42475-0831 | 8 | | 6 | B | 42475-***2I, 5558-S* | 42474-***2I, 5556-S*P | 94V-0 | BRASS | TIN | |
| | | | | | | | | | | 42475-***1I, 5558-S* | 42474-***1I, 5556-S*P | 94V-2 | | | |
| | 15-06-0105 | 42475-1011 | 10 | | 42475-1031 | 10 | | 8 | A | 42475-***2I, 5558-GS* | A-42385-***D2 | 94V-0 | PHOS. BRZ. | GOLD | |
| | | | | | | | | | | 42475-***1I, 5558-GS* | A-42385-***C2 | 94V-2 | | | |
| | NOT TOOLED | 42475-1211 | 12 | | | 12 | | 10 | B | 42475-***2I, 5558-GS* | A-42385-***B2 | 94V-0 | BRASS | GOLD | |
| | | | | | | | | | | 42475-***1I, 5558-GS* | A-42385-***A2 | 94V-2 | | | |
| | 15-06-0145 | 42475-1411 | 14 | | 42475-1431 | 14 | | 12 | N/A | 42475-***2I, 5558-PBS* | A-42385-***D1 | 94V-0 | PHOS. BRZ. | TIN | |
| | | | | | | | | | | 42475-***1I, 5558-PBS* | A-42385-***C1 | 94V-2 | | | |
| H | NOT TOOLED | 42475-1611 | 16 | | | 16 | | 14 | B | 42475-***2I, 5558-S* | A-42385-***B1 | 94V-0 | BRASS | TIN | |
| | | | | | | | | | | 42475-***1I, 5558-S* | A-42385-***A1 | 94V-2 | | | |
| | 15-06-0185 | 42475-1811 | 18 | | 42475-1831 | 18 | | 16 | N/A | PLUG HOUSING/ MALE TERMINAL | | MATING CONNECTOR | HSG. MAT'L. | TERM. MAT'L. | PLATING |
| | | | | | | | | | | | | | MATING CONNECTOR FEATURES | | |
| | 15-06-0205 | 42475-2011 | 20 | | 42475-2031 | 20 | | 18 | A & B | | | | | | |
| | NOT TOOLED | 42475-2211 | 22 | | | 22 | | 20 | A | | | | | | |
| | | | | | | | | | | | | | | | |
| | 15-06-0245 | 42475-2411 | 24 | I | 42475-2431 | 24 | 3 | 22 | N/A | | | | | | |
| G | | | | | | | | 24 | B | | | | | | |
| | NOT TOOLED | 42475-0221 | 2 | 2 | | 2 | 4 | | | | | | | | |
| | | | | | | | | | | | | | | | |
| | 15-06-0046 | 42475-0421 | 4 | | 42475-0441 | 4 | | | | | | | | | |
| | | | | | | | | | | | | | | | |
| F | 15-06-0066 | 42475-0621 | 6 | | | 6 | | | | | | | | | |
| | | | | | | | | | | | | | | | |
| | 50-36-2323 | 42475-0821 | 8 | | | 8 | | | | | | | | | |
| | | | | | | | | | | | | | | | |
| | 15-06-0106 | 42475-1021 | 10 | | 42475-1041 | 10 | | | | | | | | | |
| | | | | | | | | | | | | | | | |
| | NOT TOOLED | 42475-1221 | 12 | | | 12 | | | | | | | | | |
| | | | | | | | | | | | | | | | |
| | 15-06-0146 | 42475-1421 | 14 | | 42475-1441 | 14 | | | | | | | | | |
| | | | | | | | | | | | | | | | |
| E | NOT TOOLED | 42475-1621 | 16 | | | 16 | | | | | | | | | |
| | | | | | | | | | | | | | | | |
| | 15-06-0186 | 42475-1821 | 18 | | 42475-1841 | 18 | | | | | | | | | |
| | | | | | | | | | | | | | | | |
| | 15-06-0206 | 42475-2021 | 20 | | 42475-2041 | 20 | | | | | | | | | |
| | | | | | | | | | | | | | | | |
| | NOT TOOLED | 42475-2221 | 22 | | | 22 | | | | | | | | | |
| | | | | | | | | | | | | | | | |
| D | 15-06-0246 | 42475-2421 | 24 | 2 | 42475-2441 | 24 | 4 | | | | | | | | |

LEGEND:



| ADDED 50362323 EC NO: UCP2009-0892 DRWN:KLOSTNER 2008/10/09 CHKD:JBELL 2008/10/14 APPR:FSMITH 2008/10/15 | QUALITY SYMBOLS | GENERAL TOLERANCES (UNLESS SPECIFIED) | DIMENSION STYLE | SCALE | DESIGN UNITS | THIRD ANGLE PROJECTION | | | | | | | | | | | | | | | | | | | | | | | | | | | | | |
|----------------------------------------------------------------------------------------------------------------------|----------------------------------------------------------------------------------|---------------------------------------------------------------------------------------------------------------------------------------------------------------------------------------------------------------------------------------------------------------------------------------------------------------------------------------------------------------------------------------------------------------------------------------------------|----------------------------------------------------------------------------------------------|---------------------------|--------------------------------------|----------------------------|-----------|-----------|----------|-----------|------------|----------|------------|------------|---------|------------|-----------|---------------------------------------------------------------------------------------------------------------------------------------------------------------------------------------------------------------------------------------------------------------------------------------------------------------------------------------------|-------|--|----------|------|-----|------------|------------|------|-----|------------|-------------|------|-----|------------|-----|--------|--|
| | $\nabla=0$ $\nabla=0$ | <table border="1"> <tr> <th></th> <th>mm</th> <th>INCH</th> </tr> <tr> <td>4 PLACES</td> <td>\pm ---</td> <td>\pm ---</td> </tr> <tr> <td>3 PLACES</td> <td>\pm ---</td> <td>\pm .010</td> </tr> <tr> <td>2 PLACES</td> <td>\pm 0.25</td> <td>\pm .015</td> </tr> <tr> <td>1 PLACE</td> <td>\pm 0.38</td> <td>\pm ---</td> </tr> </table> | | mm | INCH | 4 PLACES | \pm --- | \pm --- | 3 PLACES | \pm --- | \pm .010 | 2 PLACES | \pm 0.25 | \pm .015 | 1 PLACE | \pm 0.38 | \pm --- | <table border="1"> <tr> <th colspan="2">IN/MM</th> </tr> <tr> <td>DRAWN BY</td> <td>DATE</td> </tr> <tr> <td>GEP</td> <td>1989/07/18</td> </tr> <tr> <td>CHECKED BY</td> <td>DATE</td> </tr> <tr> <td>RJF</td> <td>1989/07/18</td> </tr> <tr> <td>APPROVED BY</td> <td>DATE</td> </tr> <tr> <td>RAS</td> <td>1989/07/18</td> </tr> </table> | IN/MM | | DRAWN BY | DATE | GEP | 1989/07/18 | CHECKED BY | DATE | RJF | 1989/07/18 | APPROVED BY | DATE | RAS | 1989/07/18 | 4:1 | METRIC | |
| | | mm | INCH | | | | | | | | | | | | | | | | | | | | | | | | | | | | | | | | |
| | 4 PLACES | \pm --- | \pm --- | | | | | | | | | | | | | | | | | | | | | | | | | | | | | | | | |
| 3 PLACES | \pm --- | \pm .010 | | | | | | | | | | | | | | | | | | | | | | | | | | | | | | | | | |
| 2 PLACES | \pm 0.25 | \pm .015 | | | | | | | | | | | | | | | | | | | | | | | | | | | | | | | | | |
| 1 PLACE | \pm 0.38 | \pm --- | | | | | | | | | | | | | | | | | | | | | | | | | | | | | | | | | |
| IN/MM | | | | | | | | | | | | | | | | | | | | | | | | | | | | | | | | | | | |
| DRAWN BY | DATE | | | | | | | | | | | | | | | | | | | | | | | | | | | | | | | | | | |
| GEP | 1989/07/18 | | | | | | | | | | | | | | | | | | | | | | | | | | | | | | | | | | |
| CHECKED BY | DATE | | | | | | | | | | | | | | | | | | | | | | | | | | | | | | | | | | |
| RJF | 1989/07/18 | | | | | | | | | | | | | | | | | | | | | | | | | | | | | | | | | | |
| APPROVED BY | DATE | | | | | | | | | | | | | | | | | | | | | | | | | | | | | | | | | | |
| RAS | 1989/07/18 | | | | | | | | | | | | | | | | | | | | | | | | | | | | | | | | | | |
| DESCRIPTION | ANGULAR \pm 1/2° DRAFT WHERE APPLICABLE MUST REMAIN WITHIN DIMENSIONS | MATERIAL NO. SEE CHART | TITLE PLUG HOUSING B.M.I. 2-24 CIRCUITS, MINI-FIT SERIES | MOLEX INCORPORATED | DOCUMENT NO. SD-42475-***1 | SHEET NO. 4 OF 4 | | | | | | | | | | | | | | | | | | | | | | | | | | | | | |
| REV | S1 | THIS DRAWING CONTAINS INFORMATION THAT IS PROPRIETARY TO MOLEX INCORPORATED AND SHOULD NOT BE USED WITHOUT WRITTEN PERMISSION | | | | | | | | | | | | | | | | | | | | | | | | | | | | | | | | | |