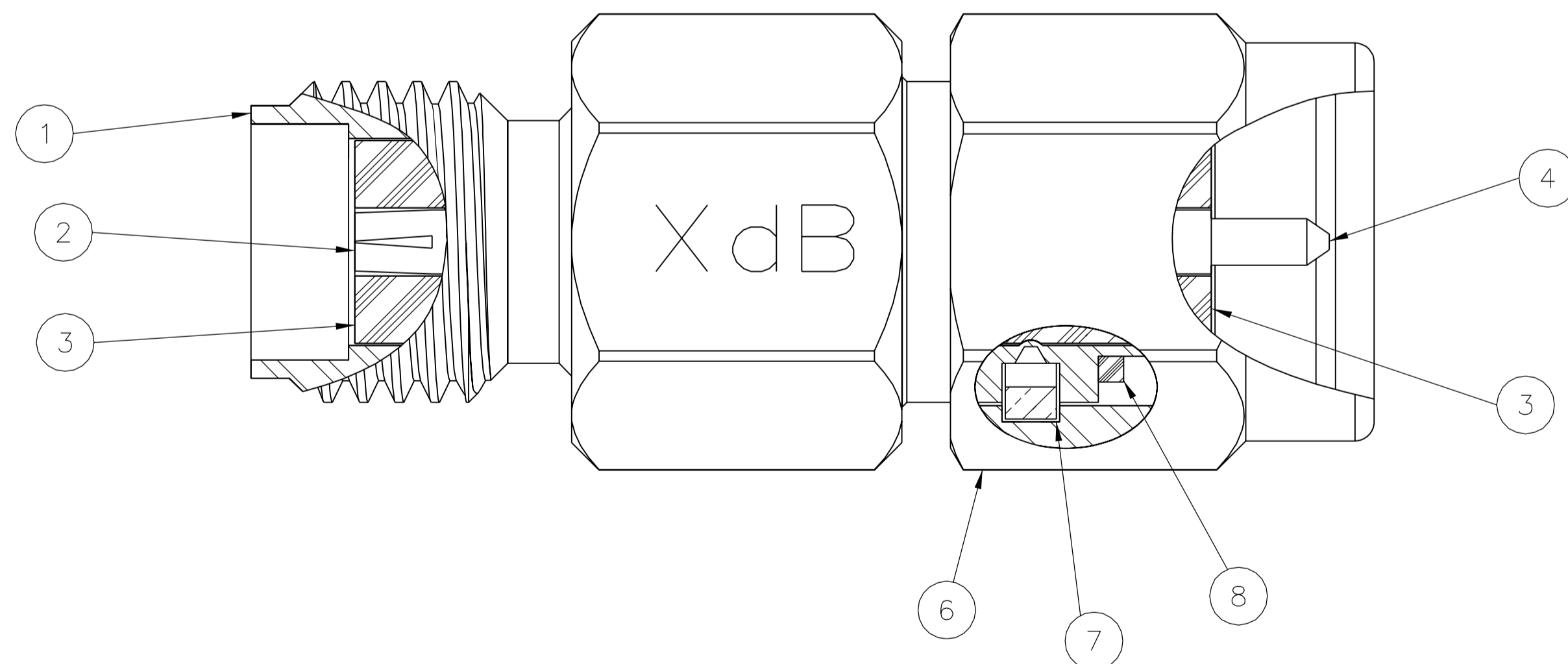
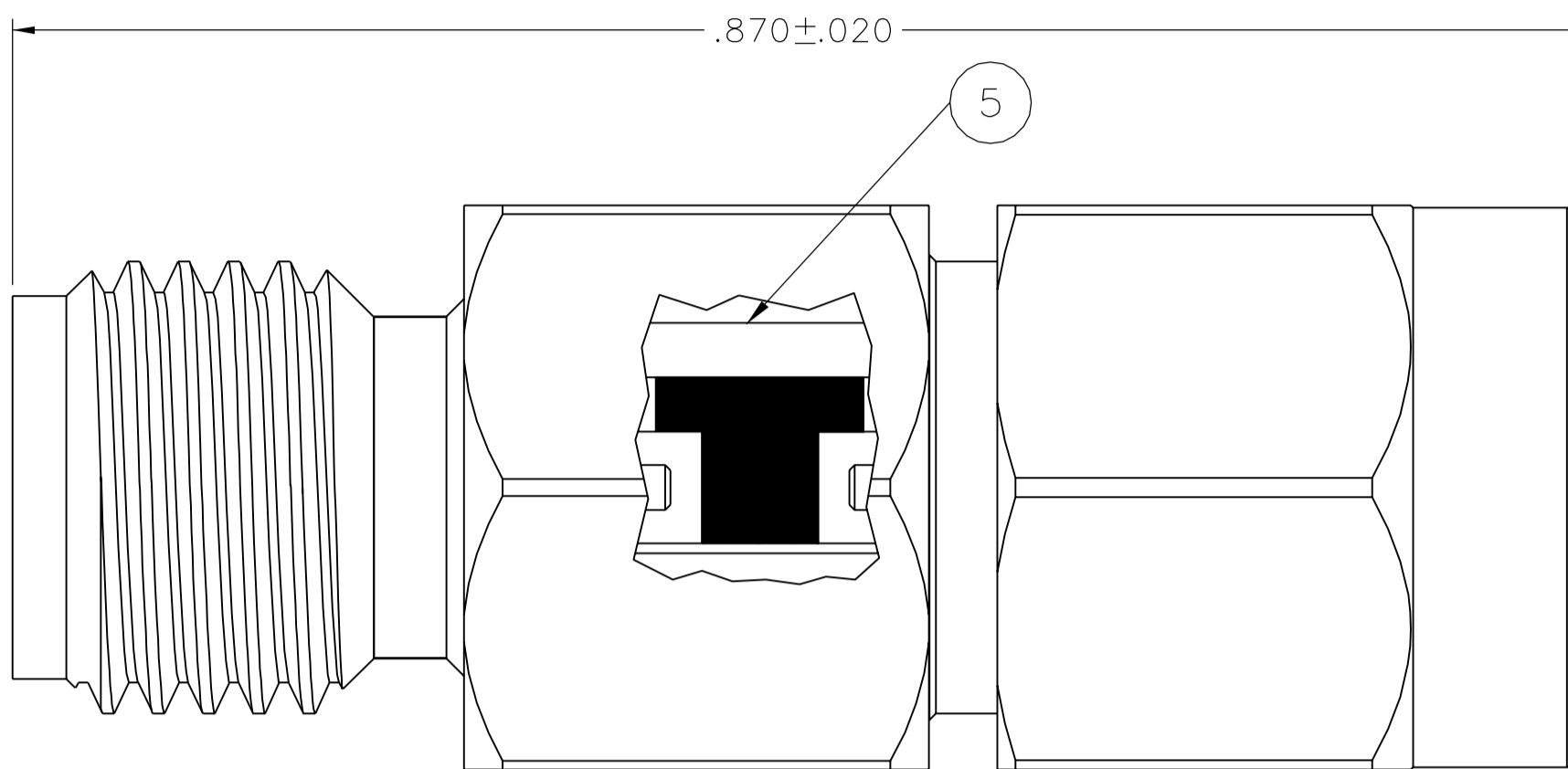
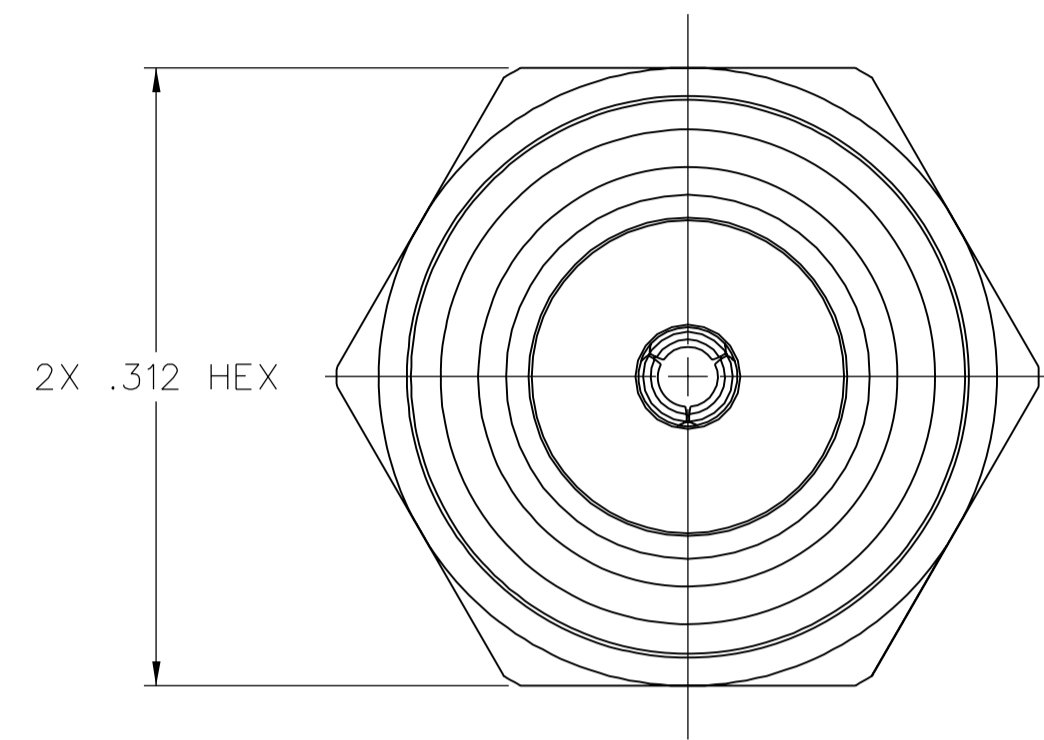
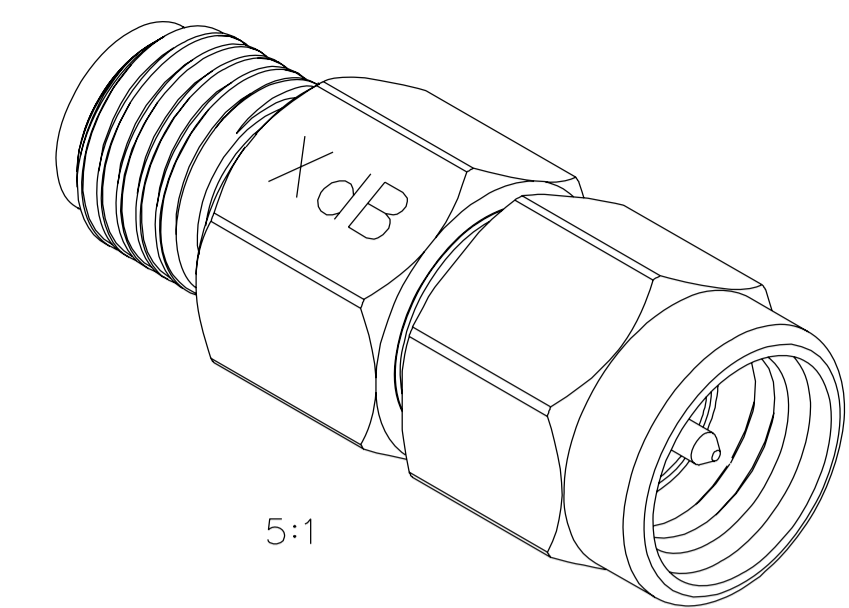


PART NUMBER	ATTENUATION "X" dB	ITEM ① BODY	ITEM ② CONTACT JACK	ITEM ③ INSULATOR 2X TEFLON	ITEM ④ CONTACT PLUG	ITEM ⑤ ATTENUATOR	ITEM ⑥ COUPLING NUT	ITEM ⑦ RETENTION SPRING	ITEM ⑧ GASKET
141-3901-801	1	STAINLESS STEEL PASSIVATED	BERYLLIUM COPPER GOLD PL .00003 MIN OVER NICKEL PL .00005 MIN OVER COPPER PL .00005 MIN	TEFLON	BRASS GOLD PL .00003 MIN OVER NICKEL PL .00005 MIN OVER COPPER PL .00005 MIN	THIN FILM, TANTALUM NITRIDE ALUMINA SUBSTRATE	STAINLESS STEEL PASSIVATED	BERYLLIUM COPPER UNPLATED	SILICONE RUBBER
141-3901-802	2								
141-3901-803	3								
141-3901-804	4								
141-3901-805	5								
141-3901-806	6								
141-3901-807	7								
141-3901-808	8								
141-3901-809	9								
141-3901-810	10								



NOTES:

1. SPECIFICATIONS

ELECTRICAL:  
 IMPEDANCE: 50 OHMS NOMINAL  
 FREQUENCY RANGE: 0-6 GHz  
 ATTENUATION ACCURACY:

dB	DC-4 GHz	4-6 GHz
1-3	±0.3	±0.5
4-6	±0.4	±0.5
7-10	±0.5	±0.5

VSWR MAX:

dB	DC-2.5 GHz	2.5-4 GHz	4-6 GHz
1-3	1.15:1	1.20:1	1.25:1
4-6	1.15:1	1.20:1	1.25:1
7-10	1.15:1	1.25:1	1.30:1

AVERAGE INPUT POWER: 2W MAX AT +25°C  
 DERATED LINEARLY TO 0.5W MAX AT +125°C

MECHANICAL:

MATING ENGAGEMENT: MIL-STD-348A, SERIES SMA  
 ENGAGE/DISENGAGE FORCE: 2 IN-LBS MAX  
 MATING TORQUE: 8 IN-LBS MAX  
 COUPLING PROOF TORQUE: 15 IN-LBS MIN  
 COUPLING NUT RETENTION: 60 LBS MIN  
 DURABILITY: 500 CYCLES MIN

ENVIRONMENTAL:

OPERATING TEMPERATURE: -55°C TO +125°C  
 THERMAL SHOCK: MIL-STD-202, METHOD 107, CONDITION B  
 (EXCEPT HIGH TEMP +100°C)  
 SHOCK: MIL-STD-202, METHOD 213, CONDITION I  
 VIBRATION: MIL-STD-202, METHOD 204, CONDITION D

DRAWING NO.	
D - 141-3901-801/810	
0 REVISIONS	
ENGINEERING RELEASE	
1	5-23-08 PAT URB 5-27-08 JRN ECN 51513

CUSTOMER DRAWING

THIS DRAWING TO BE INTERPRETED PER ASME Y 14.5M - 1994

"μSTATION"

COMPANY CONFIDENTIAL

TOLERANCE UNLESS OTHERWISE SPECIFIED	DRAWN BY PAT	DATE 5-9-08	<b>Connectivity Solutions</b> P.O. Box 1732 Waseca, MN 56093 1-800-247-8256
DECIMALS mm	CHECKED BY RB	DATE 5-27-08	
.XX REF	APPROVED BY JRK	DATE 5-27-08	TITLE SMA 6 GHz ATTENUATOR, PLUG TO JACK HEX BODY
MATL	RELEASE DATE	5-27-08	SHEET 2 OF 2
FINISH	U/M INCH	SCALE 10:1	DRAWING NO. D - 141-3901-801/810