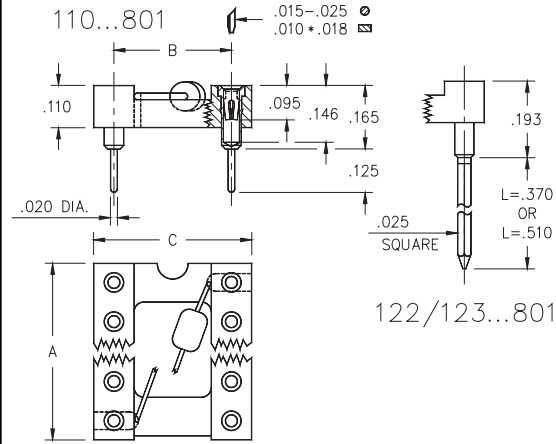




DUAL-IN-LINE SOCKETS With Integral Decoupling Capacitor Open Frame

Series 110, 122, 123...801



- Low profile DIP sockets with integral decoupling capacitor: .1μ F 20%-50V multi-layer ceramic epoxy encapsulated. Temp. range: -25° C to +85° C.
- Hi-Rel, 4-finger BeCu #30 contact is rated at 3 amps. See page 208 for details.
- Series 110, 122 and 123 use MM #1001, #0088 or #0089 pins. See pages 134 and 162 for details.
- Insulators are high temperature thermoplastic.



| Total number of pins | | | | Quantity per tube | Ordering Information | | |
|----------------------|-----|-----|-----|-------------------|----------------------|-----------------------------|-----------------------------|
| | A | B | C | | Solder Tail | 2 Level Wrapost L = .370 | 3 Level Wrapost L = .510 |
| | 14 | 0.7 | 0.3 | | 0.4 | 28 | 110-XX-314-41-801000 |
| 16 | 0.8 | 0.3 | 0.4 | 25 | 110-XX-316-41-801000 | 122-13-316-41-801000 | 123-XX-316-41-801000 |
| 18 | 0.9 | 0.3 | 0.4 | 22 | 110-XX-318-41-801000 | 122-13-318-41-801000 | 123-XX-318-41-801000 |
| 20 | 1.0 | 0.3 | 0.4 | 20 | 110-XX-320-41-801000 | 122-13-320-41-801000 | 123-XX-320-41-801000 |
| 22 | 1.1 | 0.3 | 0.4 | 18 | 110-XX-322-41-801000 | 122-13-322-41-801000 | 123-XX-322-41-801000 |
| 24 | 1.2 | 0.3 | 0.4 | 16 | 110-XX-324-41-801000 | 122-13-324-41-801000 | 123-XX-324-41-801000 |
| 28 | 1.4 | 0.3 | 0.4 | 14 | 110-XX-328-41-801000 | 122-13-328-41-801000 | 123-XX-328-41-801000 |
| 22 | 1.1 | 0.4 | 0.5 | 18 | 110-XX-422-41-801000 | 122-13-422-41-801000 | 123-XX-422-41-801000 |
| 24 | 1.2 | 0.6 | 0.7 | 16 | 110-XX-624-41-801000 | 122-13-624-41-801000 | 123-XX-624-41-801000 |
| 28 | 1.4 | 0.6 | 0.7 | 14 | 110-XX-628-41-801000 | 122-13-628-41-801000 | 123-XX-628-41-801000 |
| 32 | 1.6 | 0.6 | 0.7 | 12 | 110-XX-632-41-801000 | 122-13-632-41-801000 | 123-XX-632-41-801000 |
| 40 | 2.0 | 0.6 | 0.7 | 10 | 110-XX-640-41-801000 | 122-13-640-41-801000 | 123-XX-640-41-801000 |



XX= Plating Code
See Below

For RoHS compliance
select ◊ plating code.

| SPECIFY PLATING CODE XX= | 13 ◊ | 93 | 43 ◊ |
|--------------------------|---------|-------------|----------|
| Sleeve (Pin) | 10μ" Au | 200μ" Sn/Pb | 200μ" Sn |
| Contact (Clip) | 30μ" Au | 30μ" Au | 30μ" Au |