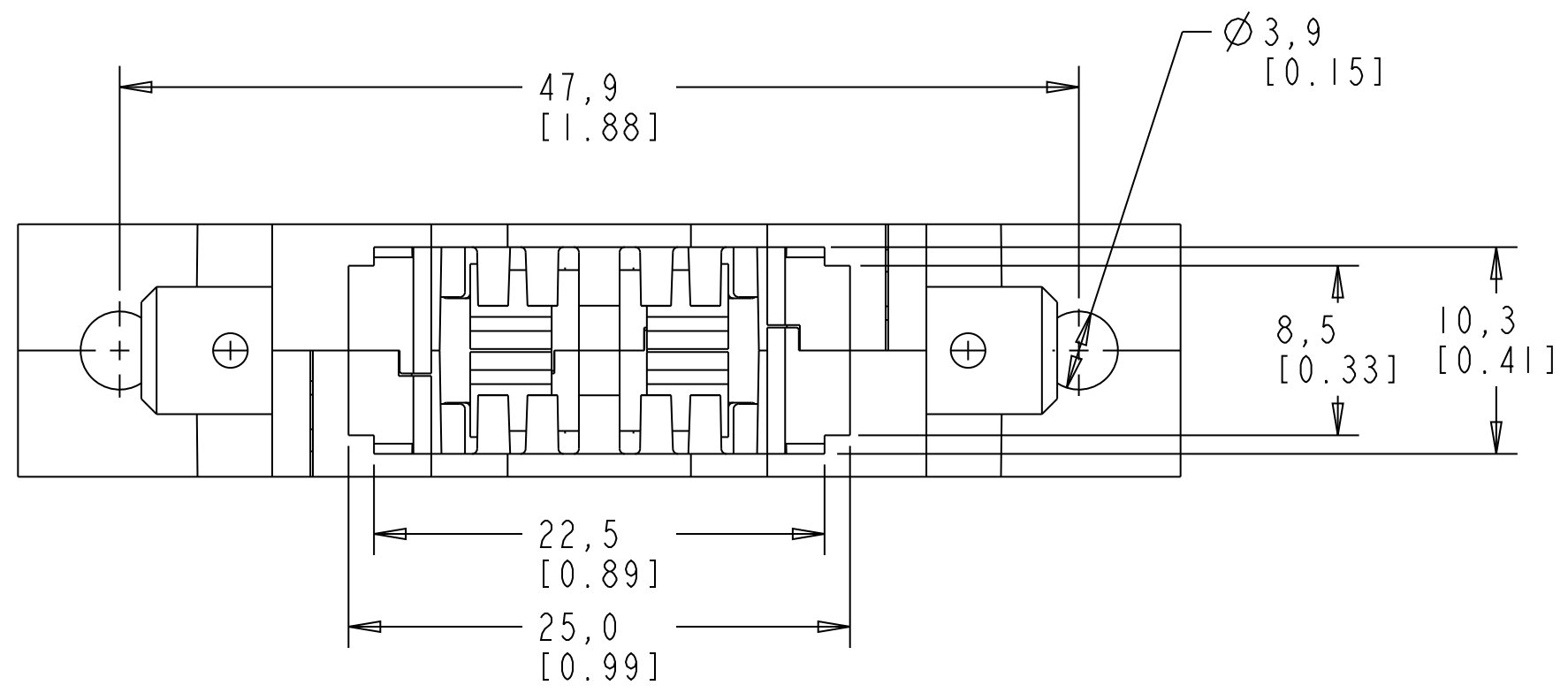
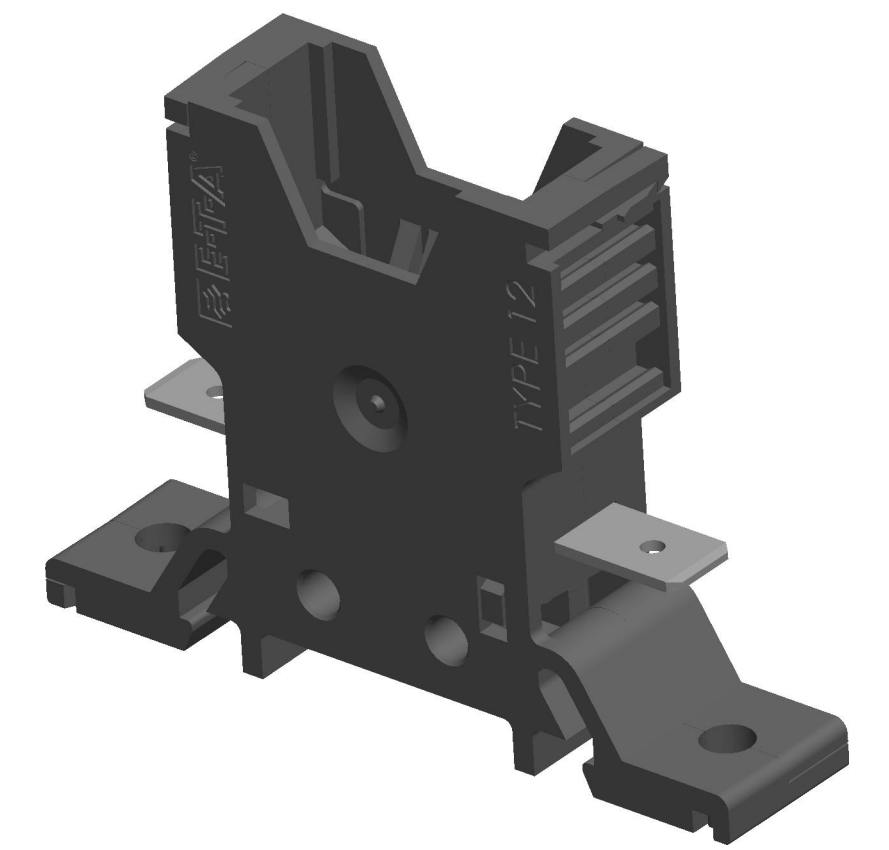
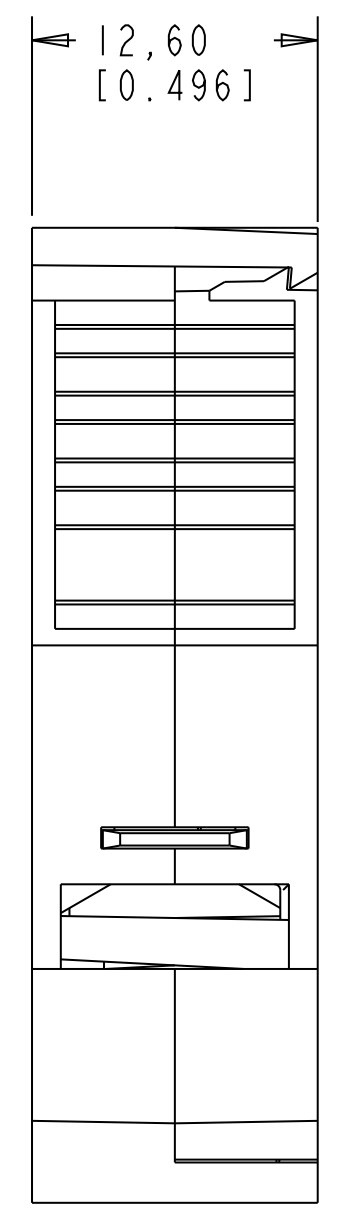
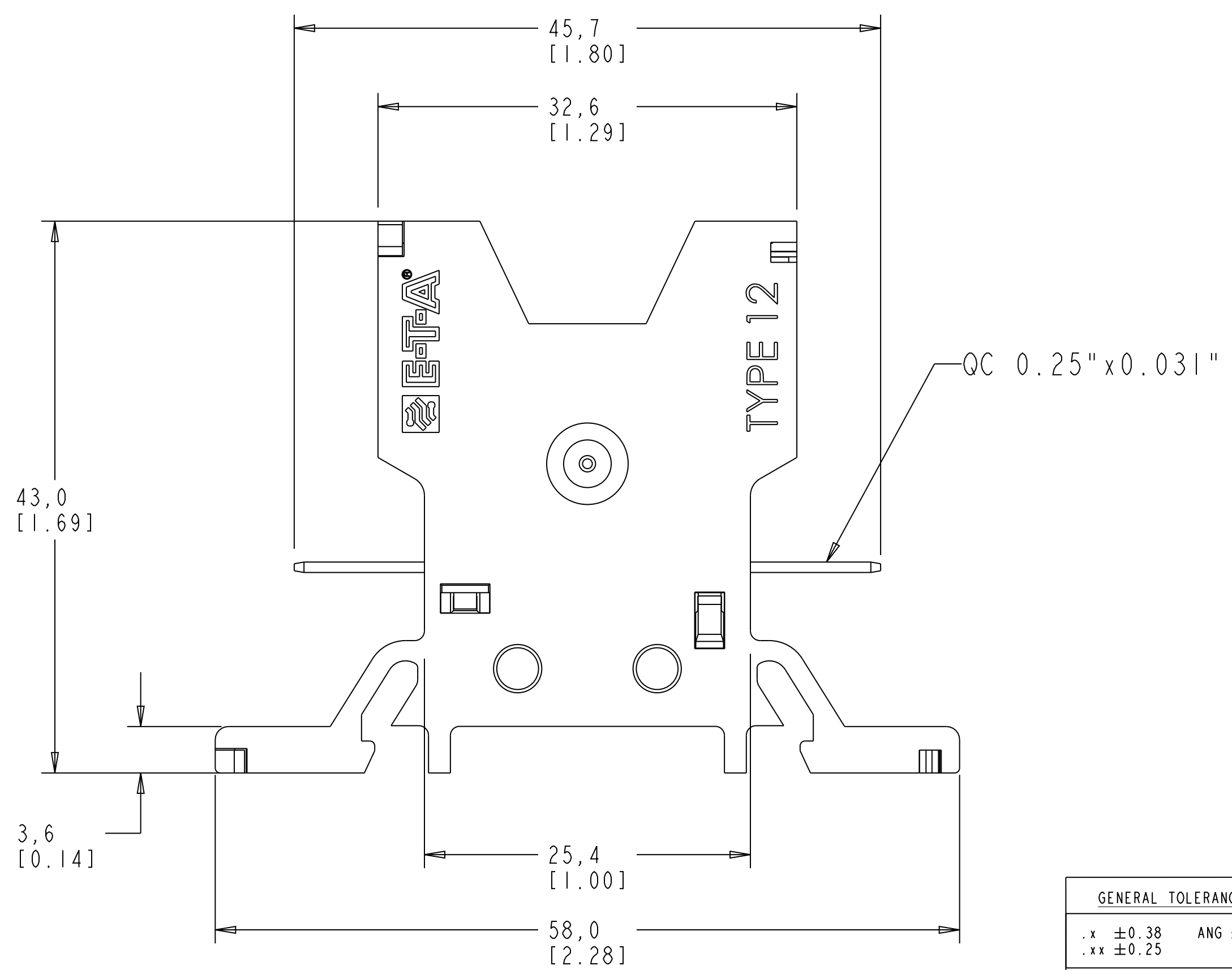


REV.	DESCRIPTION	DATE
01	INITIAL RELEASE	5.22.08
02	MOD. HOUSING- ADD CORNER SUPPORTS	6.24.08



Notes:
 1) Molding-Glass Filled Polycarbonate Thermoplastic
 Temperature rating 125°C(257°F)
 Flammability rating UL94V-0
 2) RoHS Compliant.



GENERAL TOLERANCES		THIS DRAWING IS THE PROPERTY OF ETA CIRCUIT BREAKERS MOUNT PROSPECT, IL AND SHALL NOT EXCEPT UPON PRIOR WRITTEN PERMISSION OF ETA BE USED FOR ANY PURPOSE EXCEPT THE MANUFACTURE OF ARTICLES FOR ETA CIRCUIT BREAKERS DRAWING TO BE RETURNED UPON REQUEST		DESCRIPTION: SOCKET 12-P10		QA	COPY	APPR
.x ±0.38	ANG ± 1°	DIMENSION UNITS ARE FORMATTED AS: MILLIMETERS (INCHES) UNLESS OTHERWISE SPECIFIED ALL ANGLES ARE PRESUMED 90° UNLESS OTHERWISE SPECIFIED DO NOT SCALE DRAWING		PART NAME: 12-P10		MFG ENG		
.xx ±0.25				DRAWN: <i>J.Mathew</i> DATE: <i>15-May-08</i> APPROVED: DATE: ORDER: REV: 02	THIRD ANGLE PROJECTION 	FDY ENG		
				ETA Circuit Breakers Mount Prospect, IL		DRAWING: 12-P10		SIZE: C
		VENDOR:	MATL: <i>SEE NOTES</i>	WEIGHT-KGS:	SCALE: 3.00	SHEET: 1 of 1		