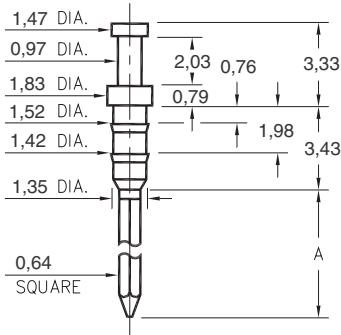


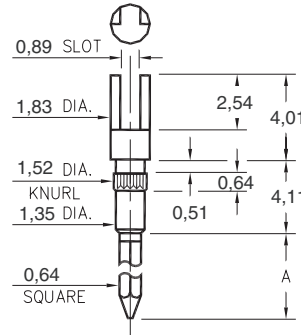
### 1096



Basic Part Number	# of Wraps	Wrapost Length A
1096-2	2	9,68
1096-3	3	13,39

**1096-X-05-XX-00-00-01-0**  
Press-fit in 1,45 mounting hole

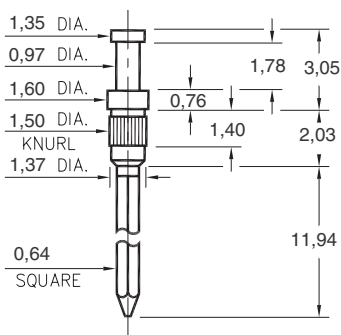
### 1106



Basic Part Number	# of Wraps	Wrapost Length A
1106-2	2	9,40
1106-3	3	12,95

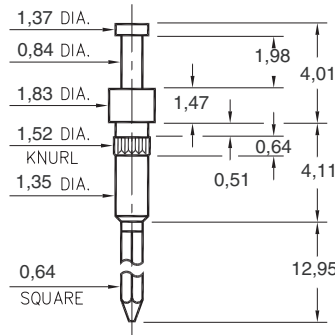
**1106-X-23-XX-00-00-01-0**  
Press-fit in 1,45 mounting hole

### 1093



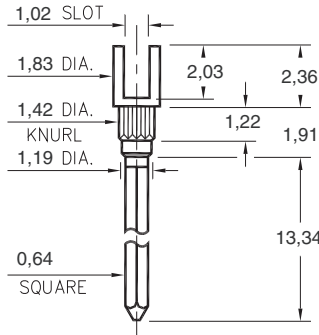
**1093-0-05-XX-00-00-01-0**  
Press-fit in 1,42 mounting hole

### 0730



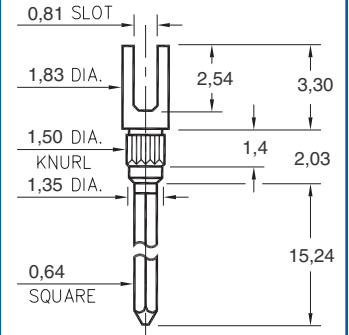
**0730-3-05-XX-00-00-01-0**  
Press-fit in 1,45 mounting hole

### 1122



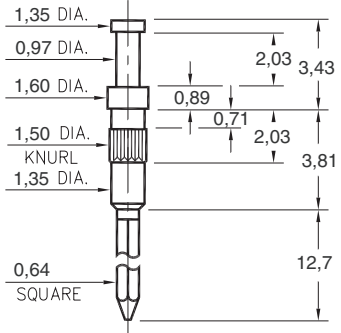
**1122-0-22-XX-00-00-01-0**  
Press-fit in 1,35 mounting hole

### 1064



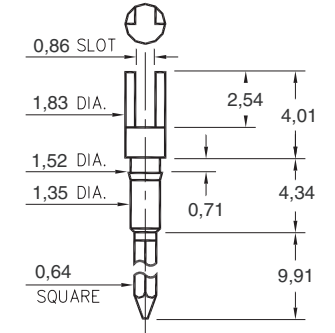
**1064-0-23-XX-00-00-01-0**  
Press-fit in 1,42 mounting hole

### 1092



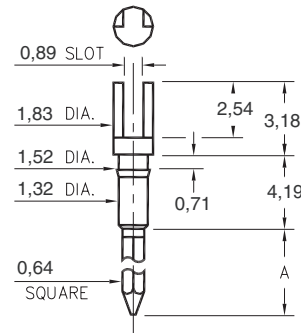
**1092-0-05-XX-00-00-01-0**  
Press-fit in 1,42 mounting hole

### 1068



**1068-0-23-XX-00-00-01-0**  
Press-fit in 1,45 mounting hole

### 1070 ⇒ 1072



**107X-X-23-XX-00-00-01-0**  
Press-fit in 1,45 mounting hole

Basic Part Number	# of Wraps	Wrapost Length A
1072-1	1	6,60
1071-2	2	9,40
1070-3	3	12,95

#### SPECIFICATIONS

**PIN MATERIAL:**  
Brass Alloy 360, 1/2 Hard  
( Except Swage pins which are annealed )

**PART MANUFACTURED IN INCHES, METRIC FOR REF ONLY**

**TOLERANCES ON:**  
LENGTHS: ± 0,13  
DIAMETERS: ± 0,05  
ANGLES: ± 2°

**ORDER CODE: XXXX - X - XX - XX - 00 - 00 - 01 - 0**

**BASIC PART #**

**SPECIFY PIN FINISH:**

- 01 5,08 μm TIN/LEAD OVER NICKEL
- 80 5,08 μm TIN OVER NICKEL
- 15 0,25 μm GOLD OVER NICKEL
- 21 0,51 μm GOLD OVER NICKEL

