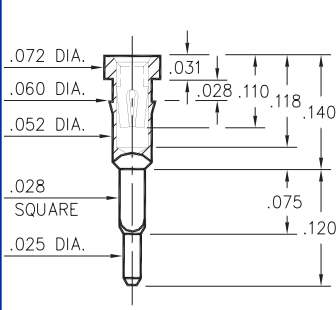
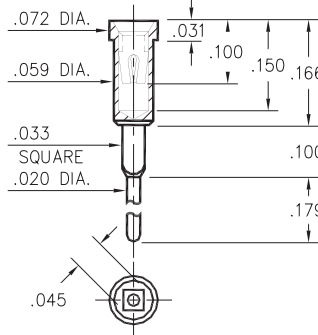


7132



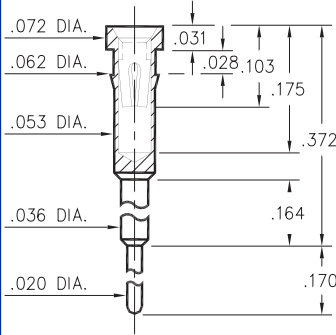
7132-0-15-XX-30-XX-04-0
Square press-fit for .032 ±.002 plated thru hole

8445



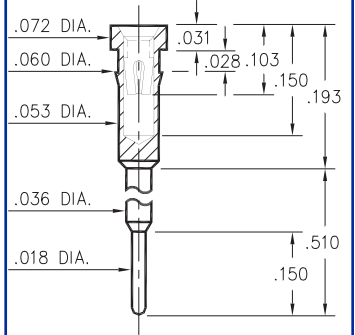
8445-0-15-XX-30-XX-04-0
Square press-fit for .039 ±.002 plated thru hole

1038



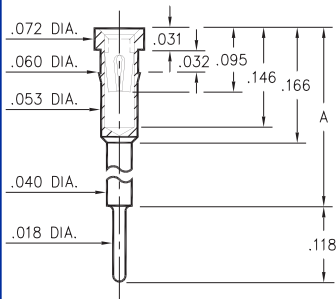
1038-0-15-XX-30-XX-04-0
Press-fit in .059 mounting hole

1261



1261-0-15-XX-30-XX-04-0
Press-fit in .057 mounting hole

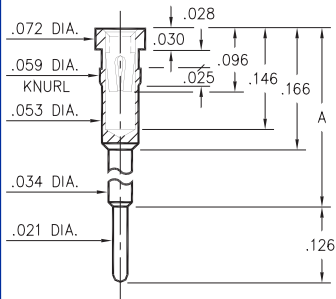
0153



0153-X-15-XX-30-XX-04-0
Press-fit in .057 mounting hole

Basic Part Number	Height A
0153-1	.236
0153-2	.315
0153-3	.402
0153-4	.472
0153-5	.594
0153-6	.699

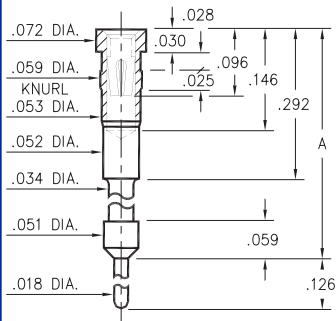
1602/1610



16XX-0-15-XX-30-XX-04-0
Press-fit in .057 mounting hole

Basic Part Number	Height A
1602-0	.441
1610-0	.642

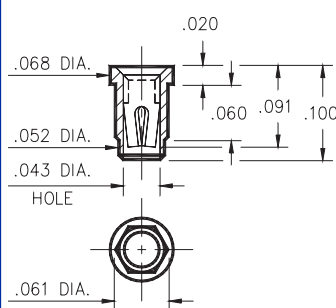
0903/0904



090X-0-15-XX-30-XX-04-0
Press-fit in .057 mounting hole

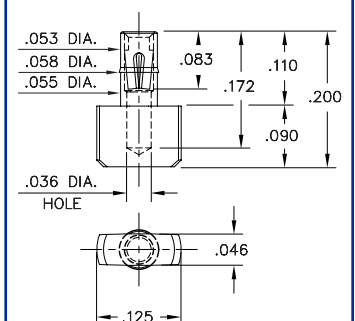
Basic Part Number	Height A
0903-0	.841
0904-0	1.141

8252



8252-0-15-XX-30-XX-10-0
Press-fit in .057 plated thru hole

4078



4078-0-15-XX-30-XX-40-0
Press-fit in .057 mounting hole

SPECIFICATIONS

SHELL MATERIAL:
Brass Alloy 360, 1/2 Hard

CONTACT MATERIAL:
Beryllium Copper Alloy 172, HT

DIMENSION IN INCHES
TOLERANCES ON:
LENGTHS: ±.005
DIAMETERS: ±.002
ANGLES: ± 2°

ORDER CODE: XXXX - X - 15 - XX - 30 - XX - XX - 0

BASIC PART #

SPECIFY SHELL FINISH:
01 200µ" TIN/LEAD OVER NICKEL
80 200µ" TIN OVER NICKEL
15 10µ" GOLD OVER NICKEL

SPECIFY CONTACT FINISH:
02 100µ" TIN/LEAD OVER NICKEL
84 100µ" TIN OVER NICKEL
27 30µ" GOLD OVER NICKEL



CONTACT

#30 CONTACT (DATA ON PAGE 208)