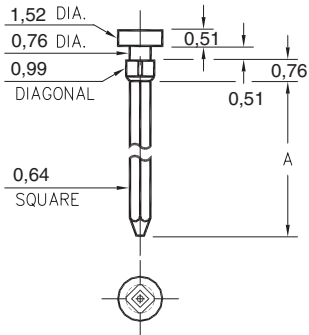


5275

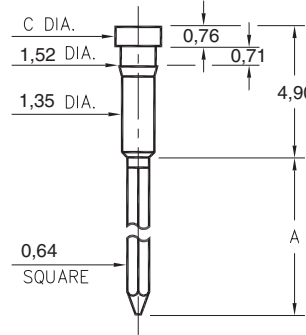


Basic Part Number	# of Wraps	Wrapost Length A
5275-1	1	9,40
5275-2	2	11,94
5275-3	3	15,49

5275-X-05-XX-00-00-01-0

Square press-fit in 0,89 plated thru hole

1010 ⇒ 1012/1020 ⇒ 1022

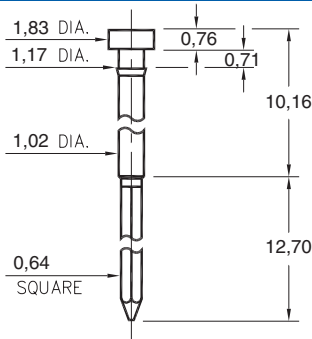


Basic Part Number	# of Wraps	Wrapost Length A	Head Dia. C
1012-1	1	6,60	1,83
1011-2	2	9,14	
1010-3	3	12,7	
1022-1	1	6,60	1,57
1021-2	2	9,14	
1020-3	3	12,7	

10XX-X-05-XX-00-00-01-0

Press-fit in 1,45 mounting hole

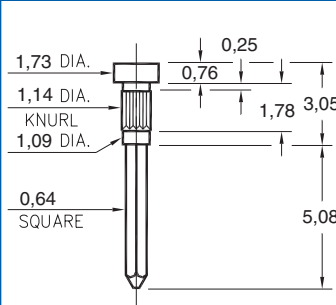
1215



1215-3-05-XX-00-00-01-0

Press-fit in 1,09 mounting hole

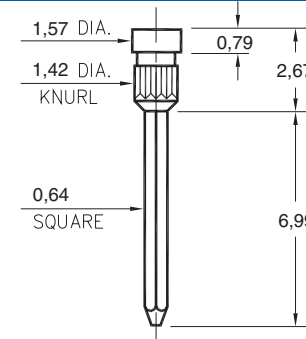
1124



1124-0-05-XX-00-00-01-0

Press-fit in 1,09 mounting hole

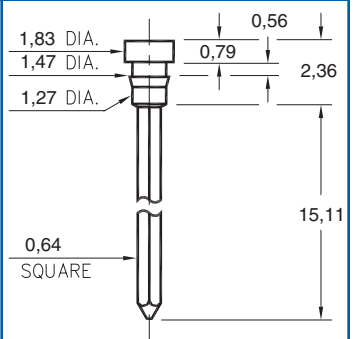
1210



1210-0-05-XX-00-00-01-0

Press-fit in 1,35 mounting hole

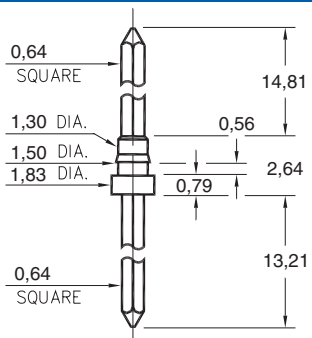
1222



1222-0-05-XX-00-00-01-0

Press-fit in 1,40 mounting hole

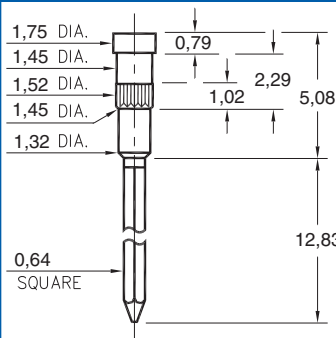
1221



1221-0-05-XX-00-00-01-0

Press-fit in 1,42 mounting hole

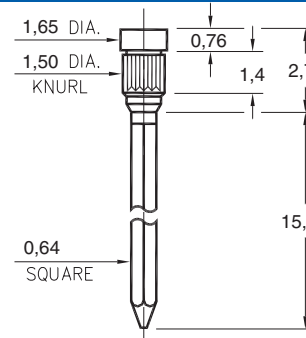
1110



1110-3-05-XX-00-00-01-0

Press-fit in 1,45 mounting hole

1094



1094-0-05-XX-00-00-01-0

Press-fit in 1,42 mounting hole

SPECIFICATIONS

PIN MATERIAL:
Brass Alloy 360, 1/2 Hard

PART MANUFACTURED IN INCHES, METRIC FOR REF ONLY

TOLERANCES ON:
LENGTHS: ± 0,13
DIAMETERS: ± 0,05
ANGLES: ± 2°

ORDER CODE: XXXX - X - 05 - XX - 00 - 00 - 01 - 0

BASIC PART #

SPECIFY PIN FINISH:

- 01 5,08µm TIN/LEAD OVER NICKEL
- 80 5,08µm TIN OVER NICKEL
- 15 0,25µm GOLD OVER NICKEL
- 21 0,51µm GOLD OVER NICKEL

