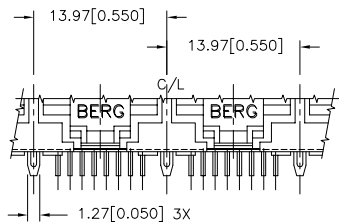
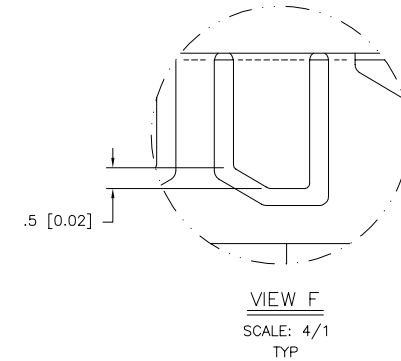
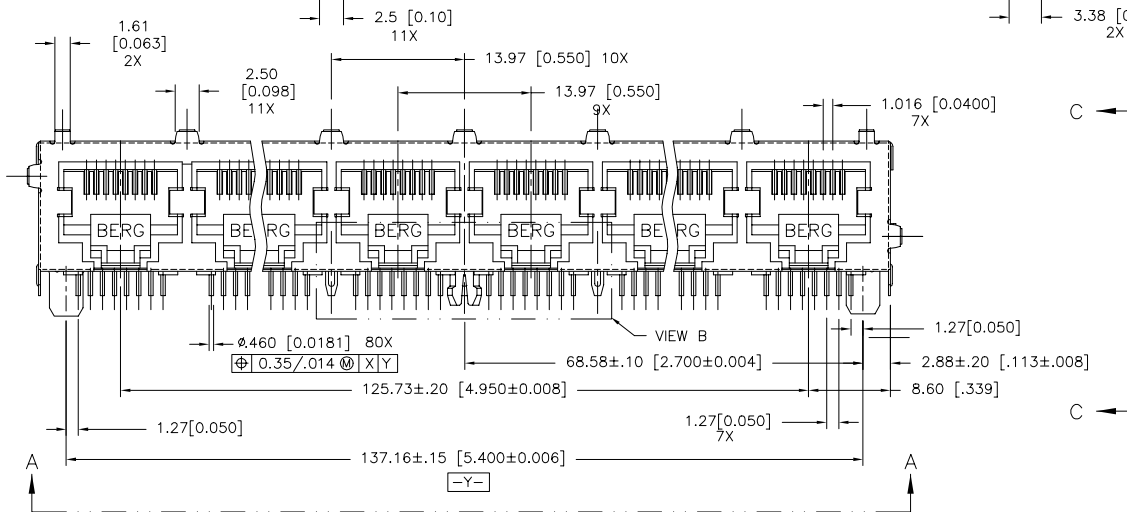
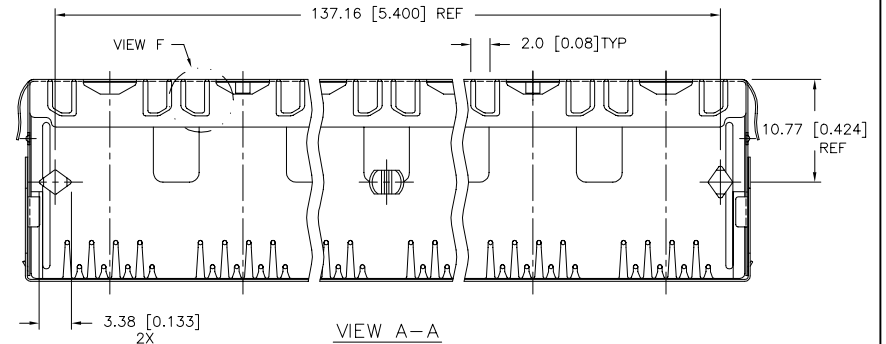
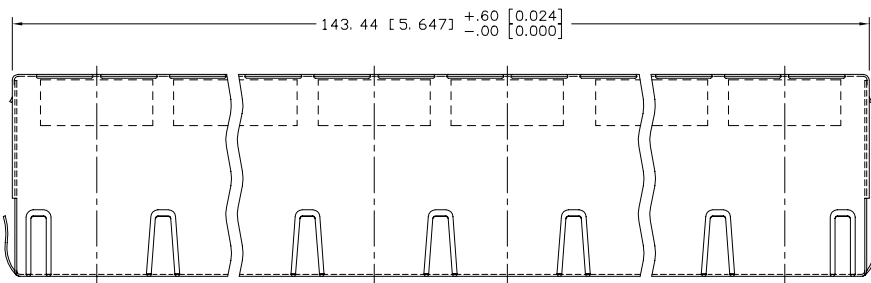


PRODUCT NO.
SEE TABLE



VIEW B
(CENTER PEG OMITTED FOR CLARITY)

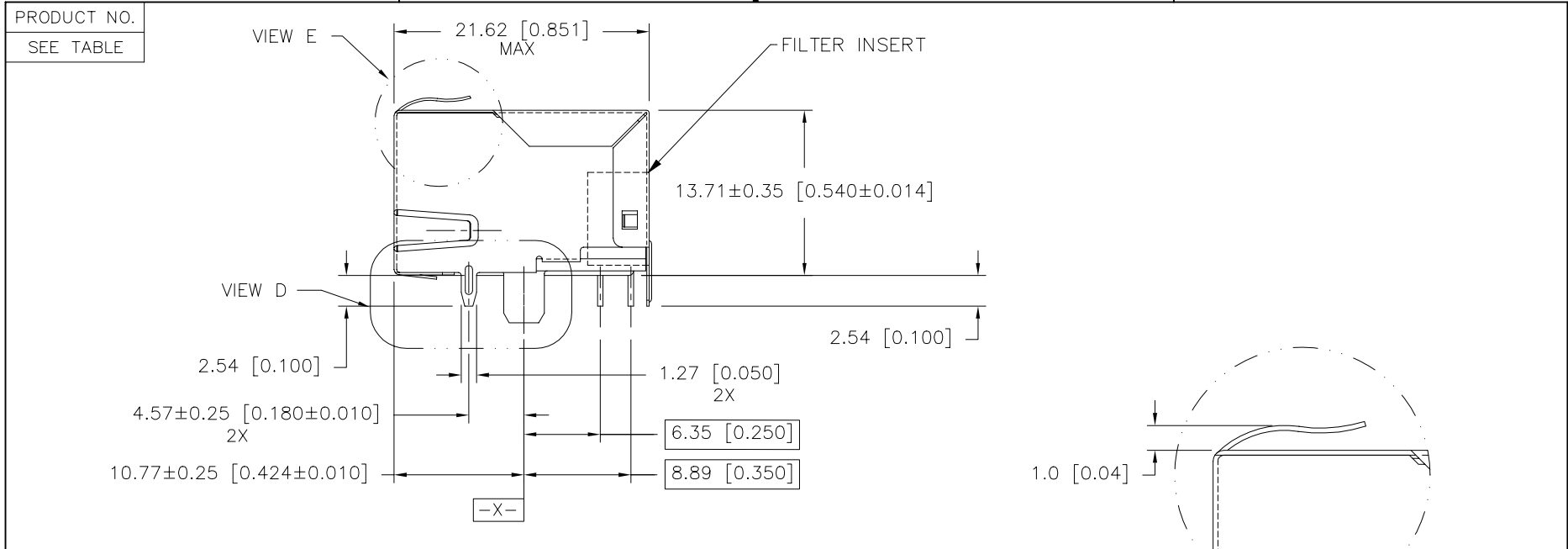
Tous droits strictement reserves. Reproduction ou communication a des tiers interdite sous quelque forme que ce soit sans autorisation ecrite du proprietaire. Propriete de c FCI. Droits de reproduction FCI.

All rights strictly reserved. Reproduction or issue to third parties in any form whatever is not permitted without written authority from the proprietor. Property of FCI. Copyright FCI.

mat'l. code SEE NOTES				tolerances unless otherwise specified		CUSTOMER COPY		 www.fciconnect.com	
ltr	ecn no	dr	date	linear	.X ±.3	projection	title		
A	V03-0446	LP	4/17/03		.XX ±.10		RJ45 R/A 10 PORT GANG JACK FILTER ASSY		
B	M05-0066	MHT	4/7/05		.XXX ±.050		8 POS SHIELDED DIAMOND PEG		
				angles	0° ±2'	 MM/INCH	product family		code
				dr	L.POTTEIGER 4/17/03		MOD JACK		213
				enr	J.KONTOS 4/17/03		size		sheet
				chr	J.KONTOS 4/17/03		dwg no		1 of 4
				appd	J.KONTOS 4/17/03	scale	A 10027589		
sheet	revision	B	A	B	A				
index	sheet	1	2	3	4				

Tous droits strictement reserves. Reproduction ou communication a des tiers interdite sous quelque forme que ce soit sans autorisation ecrite du proprietaire. Propriete de c FCI. Droits de reproduction FCI.

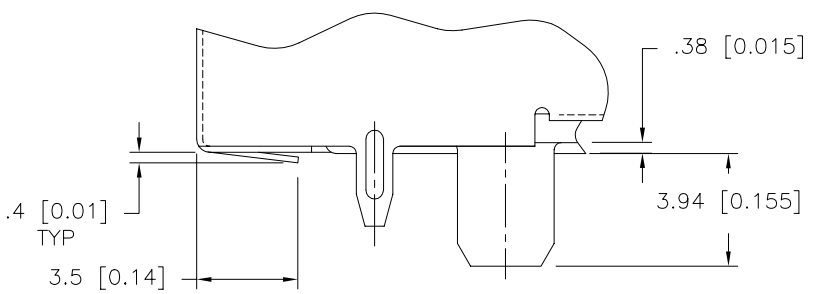
All rights strictly reserved. Reproduction or issue to third parties in any form whatever is not permitted without written authority from the proprietor. Property of FCI. Copyright FCI.



VIEW C-C

VIEW E

SCALE: 2/1
TYP FOR ALL GROUND SPRINGS



VIEW D
SCALE: 2/1

PRODUCT NO.
SEE TABLE

mat'l. code SEE NOTES				tolerances unless otherwise specified			CUSTOMER COPY		 www.fciconnect.com	
ltr	ecn no	dr	date	linear	.X ±.3		projection 	title		
A					.XX ±.10			RJ45 R/A 10 PORT GANG JACK FILTER ASSY		
				angles	.XXX ±.050			8 POS SHIELDED DIAMOND PEG		
					0° ±2'			product family MOD JACK		code
				dr	L.POTTEIGER	4/17/03	scale 1:1	size		213
				enr	J.KONTOS	4/17/03		dwg no		sheet
				chr	J.KONTOS	4/17/03		A 10027589		2 of
				appd	J.KONTOS	4/17/03				
sheet index	revision sheet									

1 | 2

3

4

ACAD

PDM: Rev:B

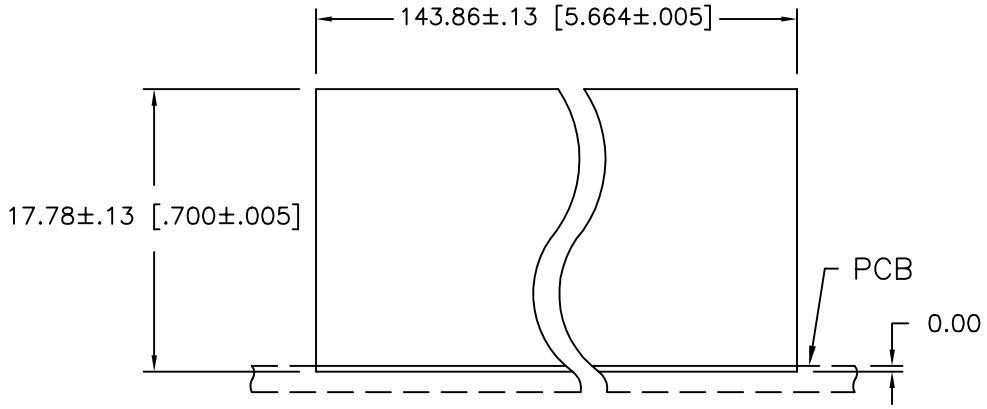
STATUS: Released

cage code
22526

Printed: Feb 19, 2008

PRODUCT NO.
10027589-X103LF

PLATING CODE X	PLATING ⑨
0	.76uM/30u" G.X.T.
1	.38uM/15u" GOLD
3	.76uM/30u" GOLD
5	1.27uM/50u" GOLD



RECOMMENDED PANEL OPENING

NOTES:

1. RECOMMENDED P.C.B. THICKNESS 1.60 [0.063].
2. HOUSING MATERIAL: HIGH TEMPERATURE THERMOPLASTIC, 94-V-0.
3. CONTACTS: PHOS BRONZE ALLOY, ϕ 0.460 [0.0181] ROUND WIRE, PLATING SEE TABLE.
4. SHIELD MAT'L: TIN PLATED BRASS ALLOY.
5. ALL DIMENSIONS IN MILLIMETERS/INCHES.
- ⑥ PART NUMBERS WITH LF IN THE END ARE LEAD FREE.
- ⑦ THIS PRODUCT MEETS EUROPEAN UNION DIRECTIVES AN OTHER COUNTRY REGULATION AS DESCRIBED IN GS-22-008.
8. THE HOUSING TEMPERATURE WITHSTAND EXPOSURE TO 260°C PEAK TEMPERATURE FOR 15 SECONDS IN A WAVE SOLDER APPLICATION WITH A 1.5 MM MINIMUM THICK CIRCUIT BOARD. SEE APPLICATION NOTES/PROCEDURES IF THEY ARE AVAILABLE.
- ⑨ PLATING OPTION:
MAY BE EITHER GOLD OR GXT PLATED AT MANUFACTURER'S OPTION.

Tous droits strictement reserves. Reproduction ou communication a des tiers interdite sous quelque forme que ce soit sans autorisation ecrite du proprietaire. Propriete de c FCI. Droits de reproduction FCI.



All rights strictly reserved. Reproduction or issue to third parties in any form whatever is not permitted without written authority from the proprietor. Property of FCI. Copyright FCI.

mat'l. code SEE NOTES				tolerances unless otherwise specified		CUSTOMER COPY		 www.fciconnect.com			
ltr	ecn no	dr	date	linear	.X ±.3	projection		title			
B					.XX ±.10			RJ45 R/A 10 PORT GANG JACK FILTER ASSY		code	
				angles	.XXX ±.050	MM/INCH		product family MOD JACK			
				dr	0° ±2'			size		213	
				enr	L.POTTEIGER 4/17/03	scale	1:1	A 10027589			
				chr	J.KONTOS 4/17/03			sheet		3 of	
				appd	J.KONTOS 4/17/03			dwg no			
sheet index	revision sheet										

