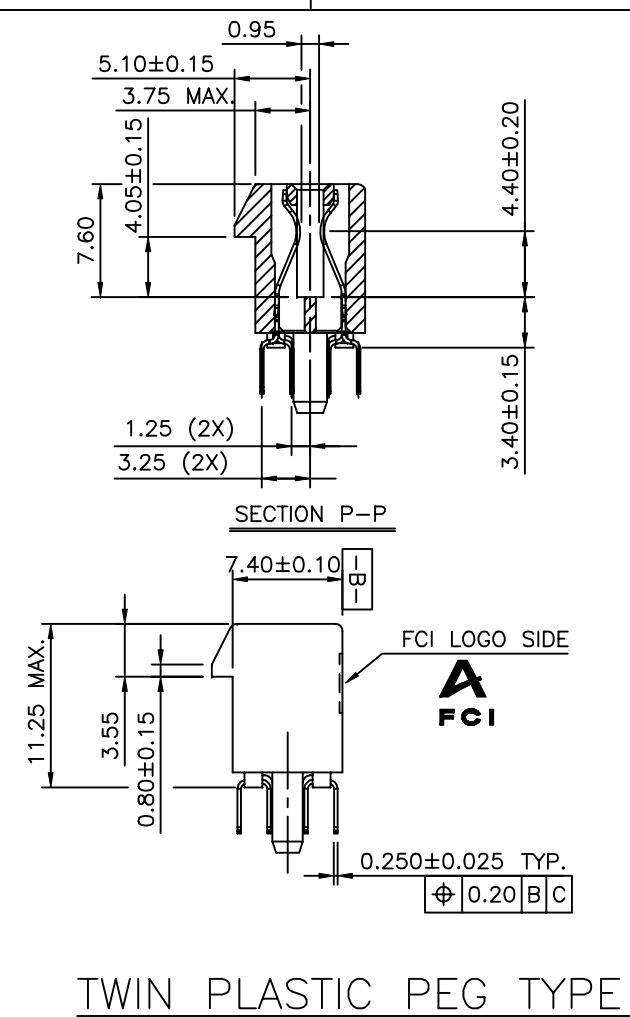
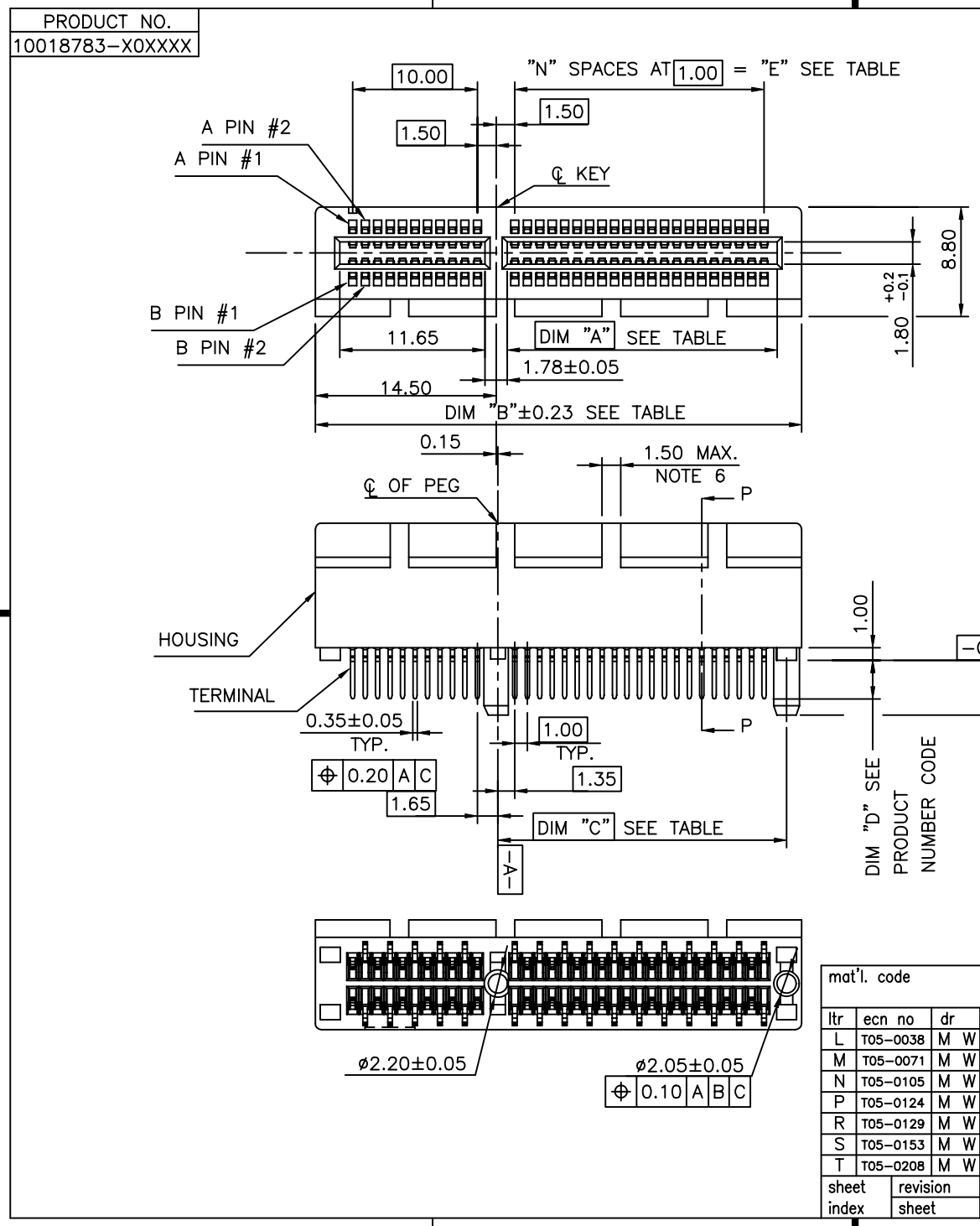


Tous droits strictement réservés. Reproduction ou communication a des tiers interdite sous quelque forme que ce soit sans autorisation écrite du propriétaire. Propriete de c FCI. Droits de reproduction FCI.

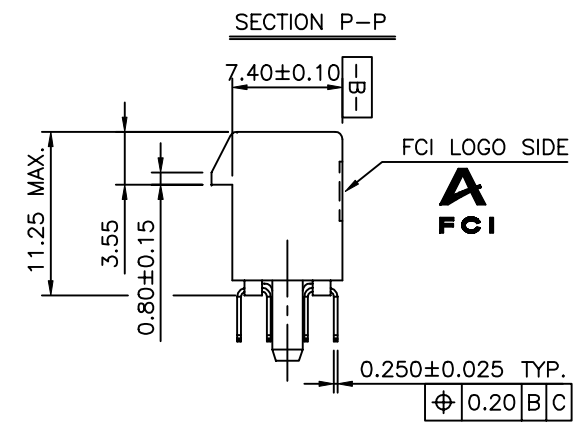
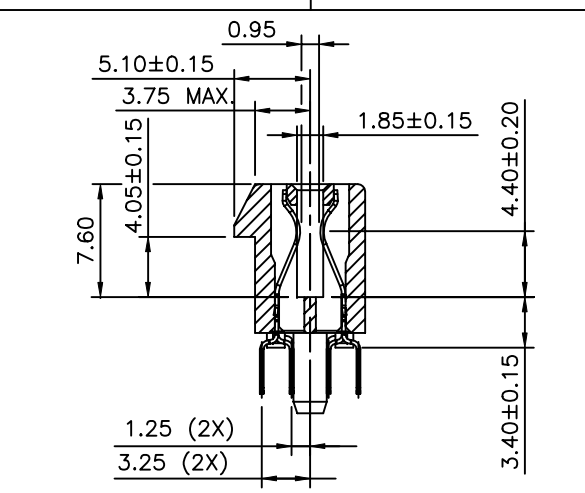
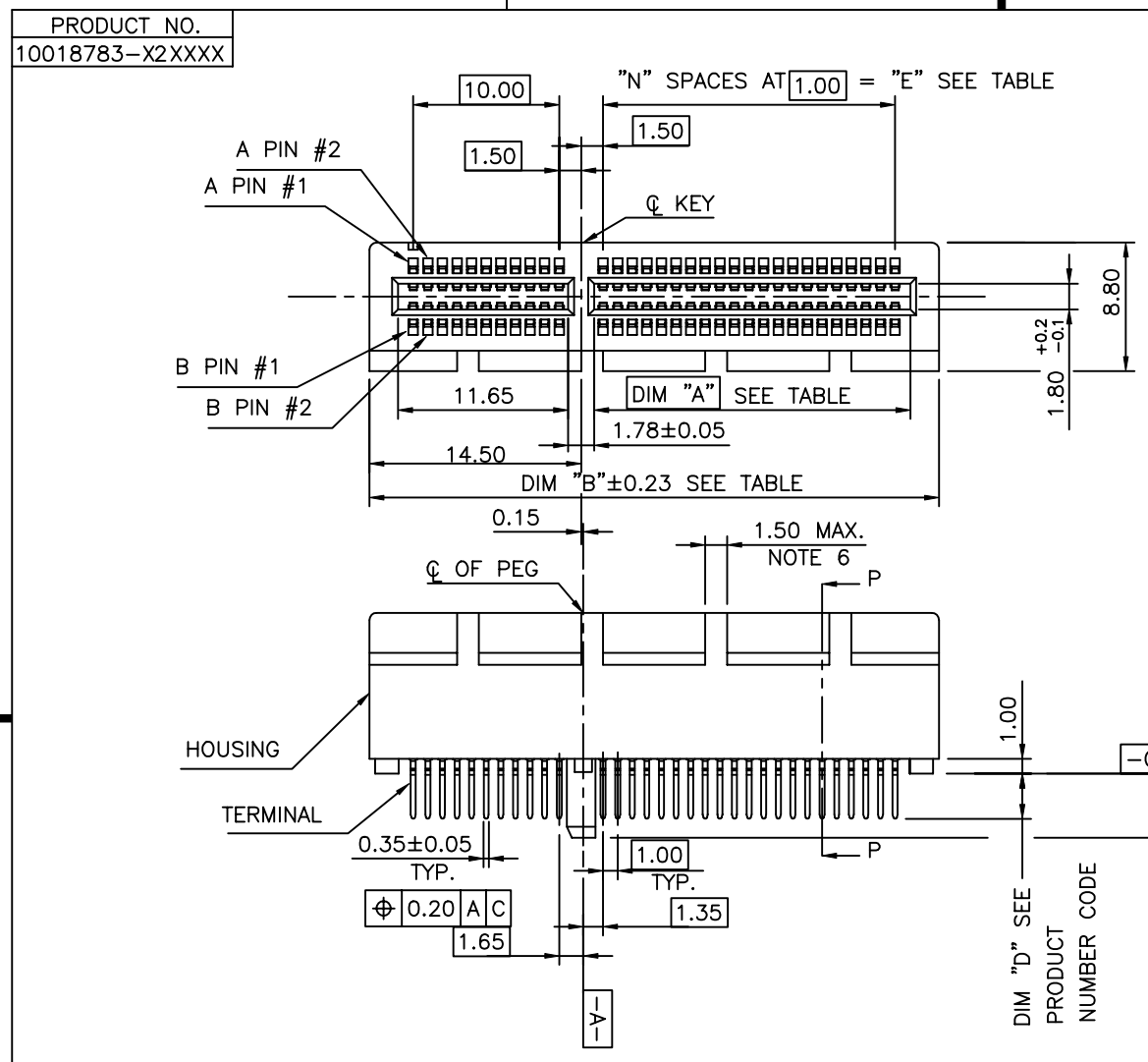
All rights strictly reserved. Reproduction or issue to third parties in any form whatever is not permitted without written authority from the proprietor. Property of FCI. Copyright FCI.



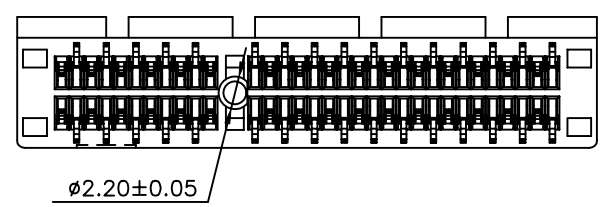
mat'l. code				tolerances unless otherwise specified				CUSTOMER COPY		 www.fciconnect.com	
ltr	ecn no	dr	date	linear	.X ± 0.30		projection	 title PCI EXPRESS CARD EDGE ASSY		product family EDGE CARD code TWN	
M	T05-0038	M W	02/24/05		.XX ± 0.20						
M	T05-0071	M W	04/06/05		.XXX ± 0.10						
N	T05-0105	M W	05/11/05	angles	0° ±2°		 MM scale 2:1		size dwg no 10018783 sheet 1 of 7		
P	T05-0124	M W	06/07/05	dr	MAGGIE WU	07/30/02					
R	T05-0129	M W	06/13/05	engr	R Y LIU	07/30/02					
S	T05-0153	M W	07/12/05	chr	R Y LIU	07/30/02					
T	T05-0208	M W	09/15/05	appd	JENN TSAO	07/30/02					
sheet index	revision sheet	T	R	T	R	R	T	R			
		1	2	3	4	5	6	7			

Tous droits strictement réservés. Reproduction ou communication a des tiers interdite sous quelque forme que ce soit sans autorisation écrite du propriétaire. Propriété de c FCI. Droits de reproduction FCI.

All rights strictly reserved. Reproduction or issue to third parties in any form whatever is not permitted without written authority from the proprietor. Property of FCI. Copyright FCI.



SINGLE PLASTIC PEG TYPE

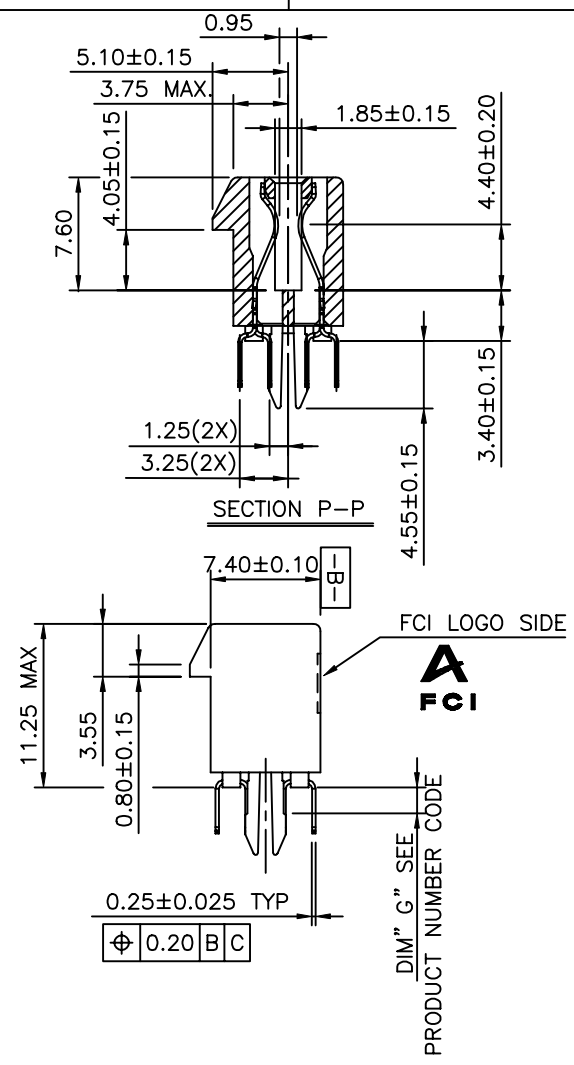
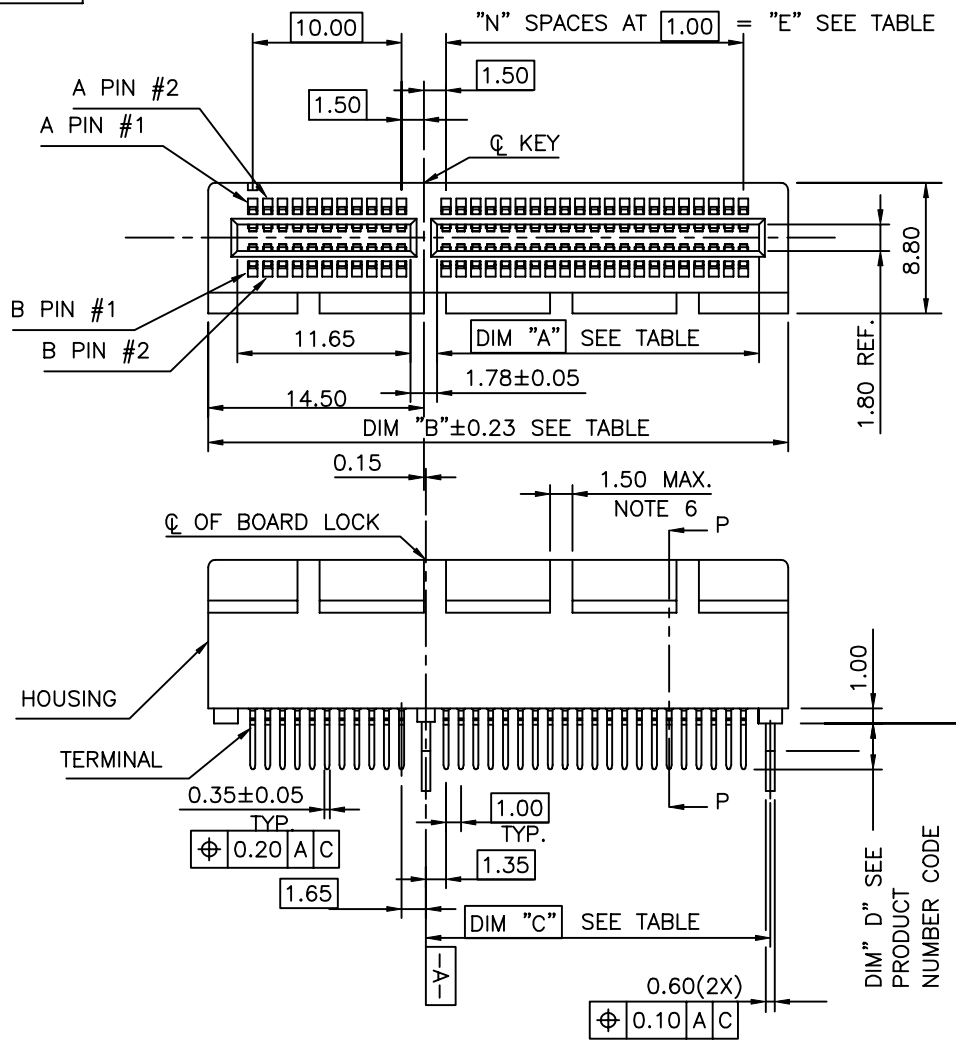


mat'l. code				tolerances unless otherwise specified				CUSTOMER COPY		 www.fciconnect.com	
ltr	ecn no	dr	date	linear	.X ± 0.30		projection	title			
R					.XX ± 0.20			PCI EXPRESS CARD EDGE ASSY			
				angles	.XXX ± 0.10		 MM	product family		EDGE CARD	
				dr	MAGGIE WU	07/30/02		size		dwg no	
				engr	R Y LIU	07/30/02	scale	A4		10018783	
				chr	R Y LIU	07/30/02		2:1		sheet	
				appd	JENN TSAO	07/30/02			code		
sheet index	revision sheet									cage code	22526

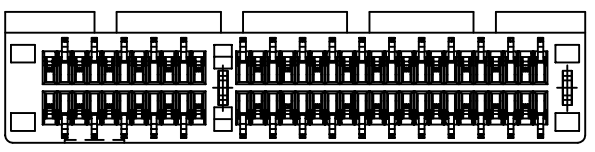
Tous droits strictement reserves. Reproduction ou communication a des tiers interdite sous quelque forme que ce soit sans autorisation ecrite du proprietaire. Propriete de c FCI. Droits de reproduction FCI.

All rights strictly reserved. Reproduction or issue to third parties in any form whatever is not permitted without written authority from the proprietor. Property of FCI. Copyright FCI.

PRODUCT NO.
10018783-X1XXXX



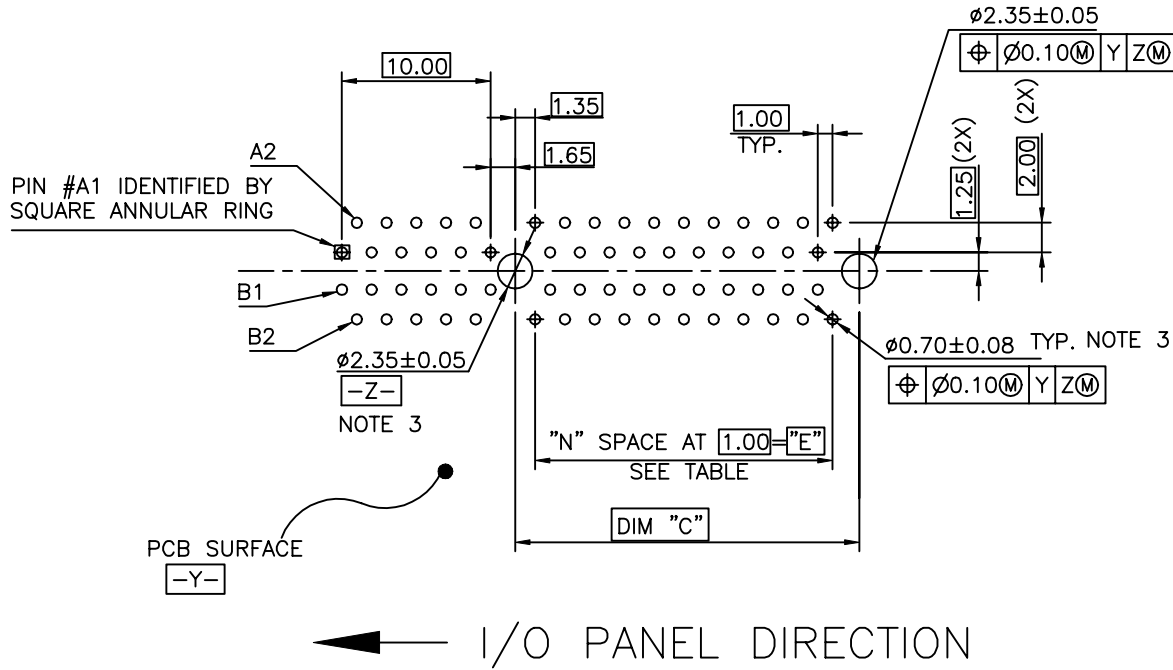
METAL BOARD LOCKS TYPE



mat'l. code				tolerances unless otherwise specified		CUSTOMER COPY		 www.fciconnect.com	
ltr	ecn no	dr	date	linear	.X ± 0.30	projection	title		
T					.XX ± 0.20		PCI EXPRESS CARD EDGE ASSY		
				angles	.XXX ± 0.10	 MM	product family	EDGE CARD	code
				dr	0° ± 2°		size	dwg no	TWN
				engr	MAGGIE WU 07/30/02	scale	10018783		sheet
				chr	R Y LIU 07/30/02		2:1	3 of	
				appd	JENN TSAO 07/30/02				
sheet index	revision sheet						cage code	22526	

Tous droits strictement reserves. Reproduction ou communication a des tiers interdite sous quelque forme que ce soit sans autorisation ecrite du proprietaire. Propriete de c FCI. Droits de reproduction FCI.

All rights strictly reserved. Reproduction or issue to third parties in any form whatever is not permitted without written authority from the proprietor. Property of FCI. Copyright FCI.



RECOMMENDED FOOTPRINT

mat'l. code				tolerances unless otherwise specified			CUSTOMER COPY		 www.fciconnect.com		
ltr	ecn no	dr	date	linear	.X ±		projection	title PCI EXPRESS CARD EDGE ASS'Y			
R					.XX ±						
				angles	.XXX ±		 MM	product family		code	
					0° ± 2°			EDGE CARD		TWN	
				dr	MAGGIE WU	07/30/02	scale 2:1	size		sheet	
				engr	R Y LIU	07/30/02		dwg no		4 of	
				chr	R Y LIU	07/30/02		A4		10018783	
				appd	JENN TSAO	07/30/02					
sheet index	revision sheet										

Tous droits strictement reserves. Reproduction ou communication a des tiers interdite sous quelque forme que ce soit sans autorisation ecrite du proprietaire. Propriete de c FCI. Droits de reproduction FCI.

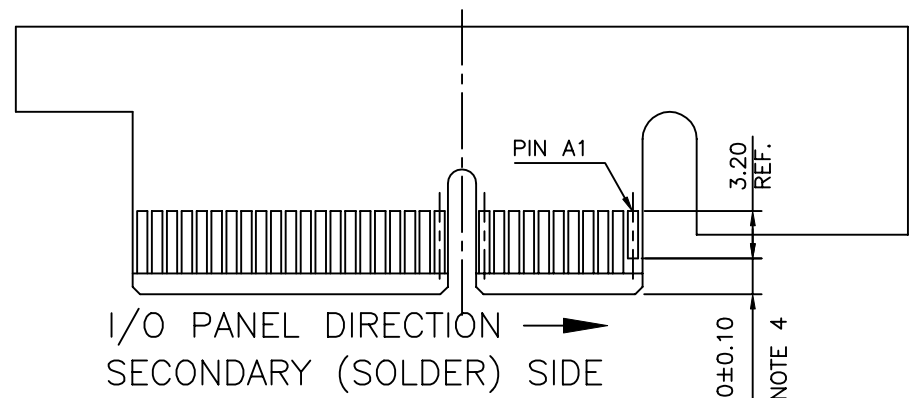
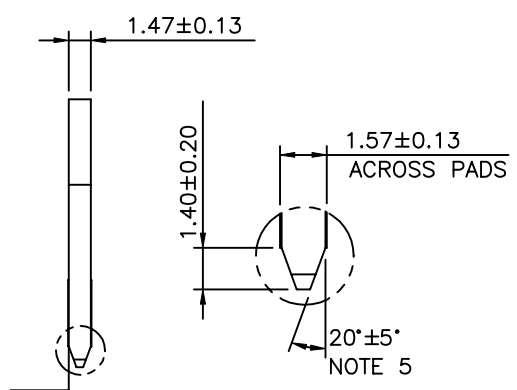
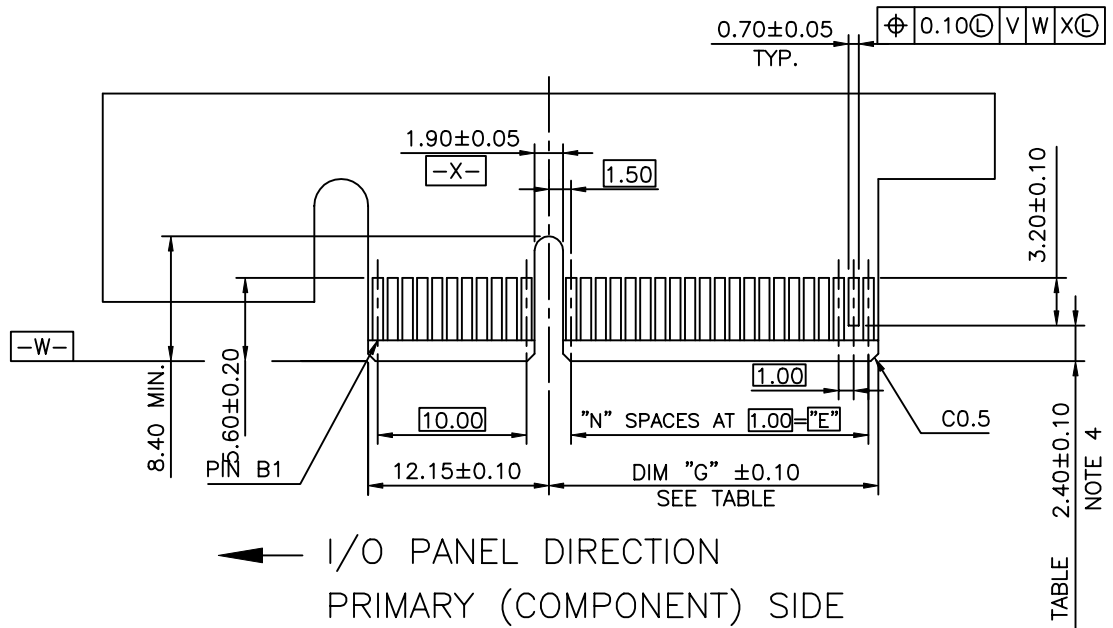
All rights strictly reserved. Reproduction or issue to third parties in any form whatever is not permitted without written authority from the proprietor. Property of FCI. Copyright FCI.

FCI

1 | 2

3 |

4



PIN "F" SEE TABLE 2.40±0.10 NOTE 4

PIN "F" SEE TABLE 2.40±0.10 NOTE 4

#	POS REF.	N	DIM "G"	"F"
36		6	8.15	B17
64		20	22.15	B31
98		37	39.15	B48
164		70	72.15	B81

ADD-IN CARD EDGE-FINGER DIMENSIONS

mat'l. code				tolerances unless otherwise specified				CUSTOMER COPY		 www.fciconnect.com	
ltr	ecn no	dr	date	linear	.X ±		projection	title			
R					.XX ±			PCI EXPRESS CARD EDGE ASS'Y			
				angles	.XXX ±		 MM	product family		EDGE CARD	
					0° ±2°			size		dwg no	
				dr	MAGGIE WU	07/30/02	scale	A4		10018783	
				engr	R Y LIU	07/30/02		2:1		TWN	
				chr	R Y LIU	07/30/02				sheet	
				appd	JENN TSAO	07/30/02				5 of	
sheet index	revision sheet										

1 | 2

3 |

4

ACAD

PDM: Rev:T

STATUS: Released 22526
Printed: Aug 02, 2008

NOTES:

1.MATERIAL:

HOUSING: HIGH TEMPERATURE NYLON, GLASS FILLED UL94V-0 RATED. SUITABLE FOR REFLOW SOLDERING.

TERMINAL: COPPER ALLOY

PLATING: 50u" NICKEL UNDERPLATE ALL OVER
CONTACT AREA PLATING - SEE PRODUCT NUMBER CODE
SOLDER TAIL: TIN OR TIN /LEAD(90/10)- SEE PRODUCT NUMBER CODE 100u" MIN. OVER 50u" NICKEL

METAL BOARD LOCKS: COPPER ALLOY
FINISH: 100u" TIN OR TIN/LEAD(90/10) OVER 50u" NICKEL
UNDERPLATE SEE PRODUCT NUMBER CODE

2.PRODUCT SPECIFICATION: GS-12-233

③THE HORIZONTAL AXIS FOR THE HOLE PATTERN IS ESTABLISHED BY

A LINE THROUGH THE CENTER OF THE TWO Ø2.35 HOLES.
THE VERTICAL AXIS IS 90° TO THE HORIZONTAL AXIS, THROUGH THE CENTER OF DATUM Z.

④NO TIE BAR PERMITTED FROM CARD EDGE TO LEADING EDGE OF PAD FOR PINS A1 AND PIN NUMBERS "F".

⑤CHAMFER EDGES MUST BE FREE OF CUTTING BURRS.

⑥FREQUENCY & LOCATION AT SUPPLIER DISCRETION. RIDGE MAY BE CONTINUOUS WITH NO BREAKS.

7.ROHS COMPATIBLE PRODUCT SPECIFICATIONS

a - PLATING:

- "LF" MEANS THE PRODUCT IS LEAD-FREE, 2um MINIMUM MATTE TIN OVER 1.27um MINIMUM NICKEL UNDERPLATE.

b - MANUFACTURING PROCESS COMPATIBILITY

- THE HOUSING WILL WITHSTAND EXPOSURE TO 260°C±5°C SOLDER BATH TEMPERATURE FOR 5 SECONDS IN A REFLOW SOLDER APPLICATION WITH A 1.6mm MIN THICK CIRCUIT BOARD.

PRODUCT NUMBER CODE

10018783 -x x x x x x □ □

HOUSING COLOR OPTIONS

- 0-NATURAL
- 1-BLACK

PEGS OPTIONS

- 0-PLASTIC PEGS
- 1-METAL BOARD LOCKS
- 2-SINGLE PLASTIC PEGS

TERMINAL PLATING OPTIONS

- 0-50u" Ni UNDERPLATE
30u" Au CONTACT AREA
100u" TIN TAIL AREA ----- COMPATIBLE RoHS
- 1-50u" Ni UNDERPLATE
15u" Au CONTACT AREA
100u" TIN TAIL AREA ----- COMPATIBLE RoHS
- 2-50u" Ni UNDERPLATE
GOLD FLASH CONTACT AREA
100u" TIN TAIL AREA ----- COMPATIBLE RoHS
- 3-50u" Ni UNDERPLATE
30u" Au CONTACT AREA
100u" TIN/LEAD TAIL AREA ----- INCOMPLIANT RoHS
- 4-50u" Ni UNDERPLATE
15u" Au CONTACT AREA
100u" TIN/LEAD TAIL AREA ----- INCOMPLIANT RoHS
- 5-50u" Ni UNDERPLATE
GOLD FLASH CONTACT AREA
100u" TIN/LEAD TAIL AREA ----- INCOMPLIANT RoHS

LEAD FREE OPTION

LEAVE BLANK FOR TERMINAL PLATING 3,4,5
"LF" FOR TERMINAL PLATING OPTION 0,1,2

POS OPTIONS

- 0-36
- 1-64
- 2-98
- 3-164


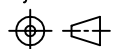
CONNECTOR	# POS REF.	N	DIM "A"	DIM "B"	DIM "C"	"E"
1 PORT	36	6	7.65	25.00	9.15	6.00
4 PORT	64	20	21.65	39.00	23.15	20.00
8 PORT	98	37	38.65	56.00	40.15	37.00
16 PORT	164	70	71.65	89.00	73.15	70.00

PACKAGING OPTIONS

T-TRAY PACKAGING
M-TRAY PACKAGING & MYLAR TAPE FOR PICK-N-PLACE. SEE FIGURE 1

TAIL LENGTH OPTIONS

	DIM "D"	PCB THICKNESS	BOARD LOCKS DIM "G"
0	2.30 ^{+0.25} / _{-0.13}	1.56±0.10	1.70±0.15
1	3.10 ^{+0.25} / _{-0.13}	2.36±0.10	2.50±0.15
2	2.54±0.25	1.56±0.10	1.70±0.15

mat'l. code				tolerances unless otherwise specified		CUSTOMER COPY		 www.fciconnect.com	
ltr	ecn no	dr	date	linear	.X ±	projection	title		
T					.XX ±		PCI EXPRESS CARD EDGE ASS'Y		
				angles	.XXX ±	 MM	product family		code
				dr	0° ±2°		EDGE CARD		TWN
				engr		scale	size		sheet
				chr	MAGGIE WU 07/30/02		A4		6 of
				appd	R Y LIU 07/30/02	10018783			
					R Y LIU 07/30/02				
					JENN TSAO 07/30/02				
sheet index	revision sheet								

Tous droits strictement reserves. Reproduction ou communication a des tiers interdite sous quelque forme que ce soit sans autorisation ecrite du propriétaire. Propriete de c FCI. Droits de reproduction FCI.

All rights strictly reserved. Reproduction or issue to third parties in any form whatever is not permitted without written authority from the proprietor. Property of FCI. Copyright FCI.

Tous droits strictement reserves. Reproduction ou communication a des tiers interdite sous quelque forme que ce soit sans autorisation ecrite du proprietaire. Propriete de c FCI. Droits de reproduction FCI.

All rights strictly reserved. Reproduction or issue to third parties in any form whatever is not permitted without written authority from the proprietor. Property of FCI. Copyright FCI.

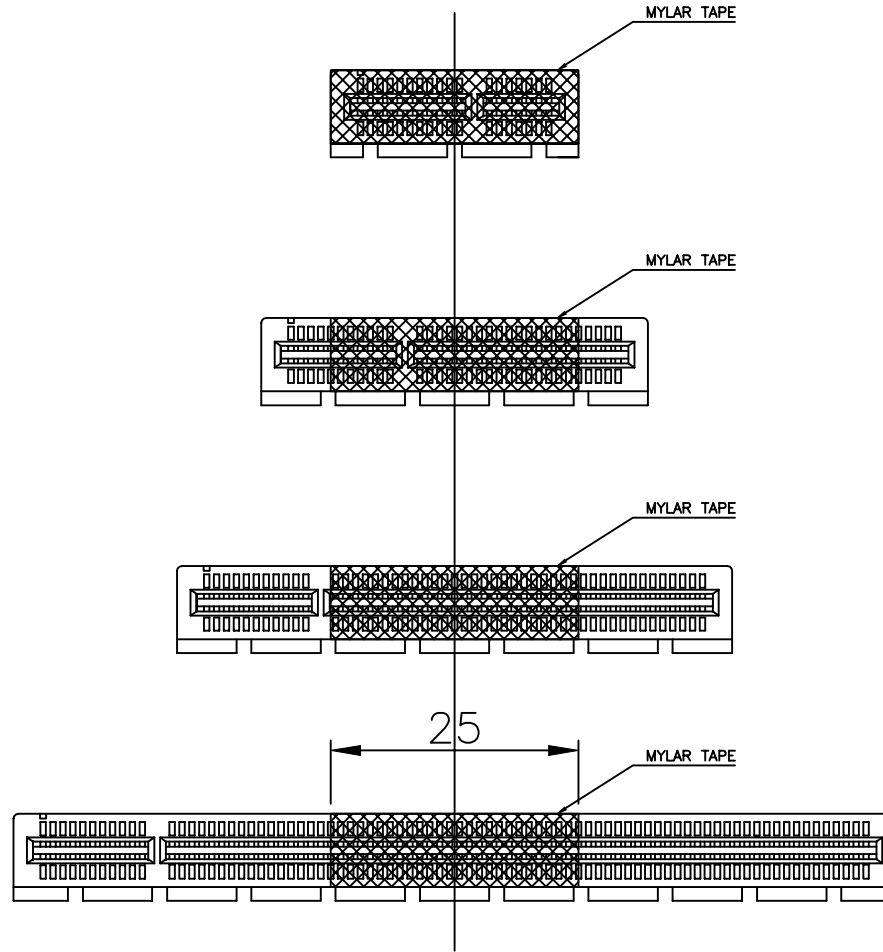

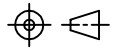
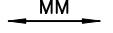


FIGURE 1

mat'l. code				tolerances unless otherwise specified			CUSTOMER COPY		 www.fciconnect.com		
ltr	ecn no	dr	date	linear	.X ± 0.25		projection	title PCI EXPRESS CARD EDGE ASS'Y			
R					.XX ± 0.13						
				angles	.XXX ± 0.05			product family EDGE CARD			
					0° ± 2°						
				dr	MAGGIE WU	06/07/05	 MM	size		code	
				enfr	R Y LIU	06/07/05		dwg no		TWN	
				chr	R Y LIU	06/07/05	scale	A4		sheet	
				appd	JENN TSAO	06/07/05		1.5:1		7 of	
sheet index		revision sheet									