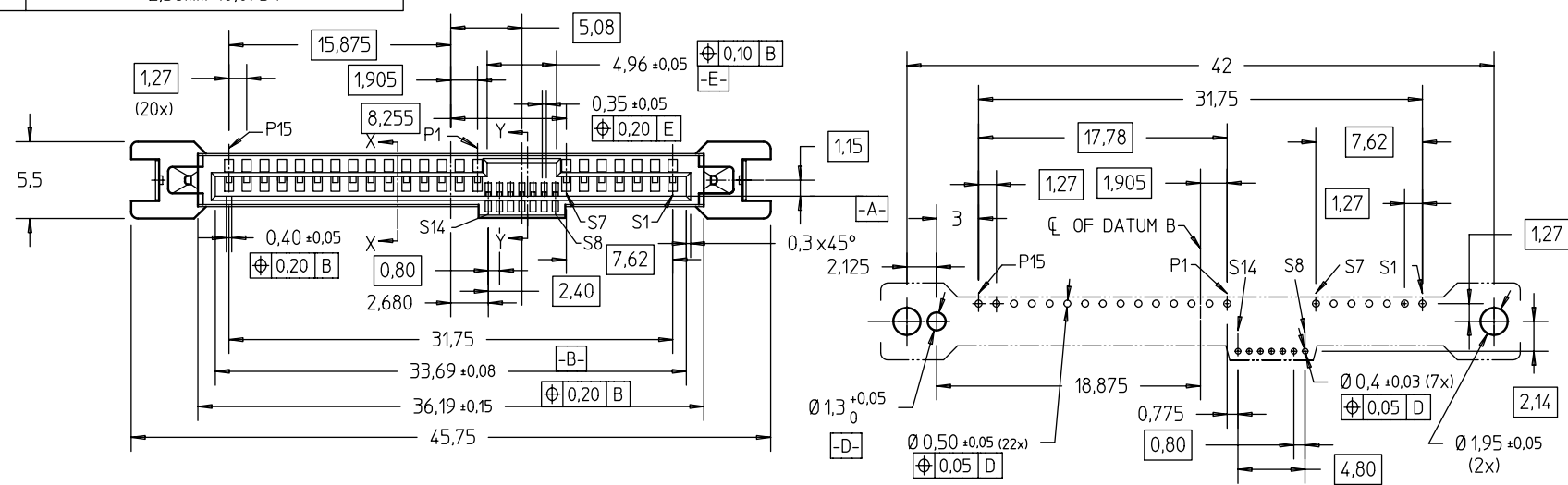


FCI CONFIDENTIAL

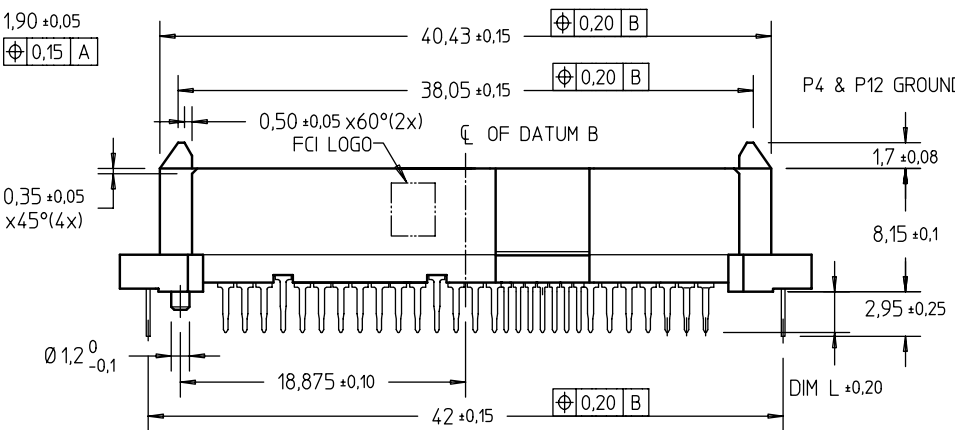
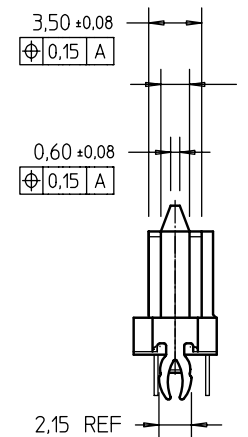


This document is the property of and embodies CONFIDENTIAL and PROPRIETARY information of FCI. No part of the information shown on this document may be used in any way or disclosed to others without the written consent of FCI.  
Copyright FCI

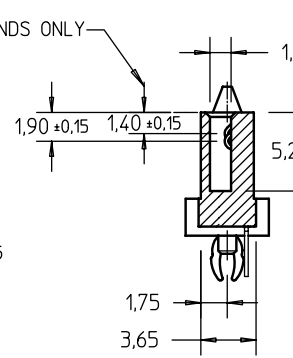
PRODUCT NO	DIM L	RECOMMENDED P.C. BOARD THICKNESS
10018182-001LF	2.70	1,57mm (0,062") / 2,36mm (0,093")
10018182-011LF	3,70	2,36mm (0,093")



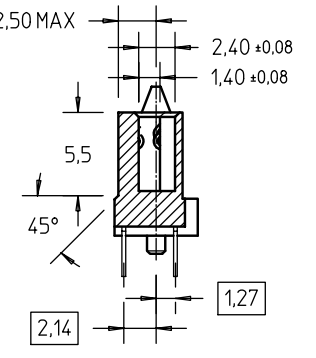
RECOMMENDED P.C.B. LAYOUT



P4 & P12 GROUNDS ONLY



SECT X-X



SECT Y-Y

NOTES:

- MATERIAL:
  - HOUSING : HIGH TEMP TERMOPLASTIC, UL 94V-0  
COLOR : BLACK
  - TERMINAL : COPPER ALLOY
  - HOLD DOWN : COPPER ALLOY
- FINISH :
  - TERMINAL : 30u" Au PLATING (CONTACT POINT)  
OVER 50u" NICKEL
  - SOLDER TAIL : 50u" min Sn OVER 50u" NICKEL
  - HOLD DOWN : 50u" min Sn OVER 50u" NICKEL
- PER SFF REV 1.1, EXCEPT 0.8mm PITCH BUMP AREA.
- THE STD PACKAGING IS IN TRAY.
- THE HOUSING WILL WITHSTAND EXPOSURE TO 260°C PEAK TEMPERATURE FOR 10 SECONDS IN A WAVE SOLDER APPLICATION WITH A 1.57mm MINIMUM THICK CIRCUIT BOARD.
- THIS PRODUCT MEETS EUROPEAN UNION DIRECTIVES AND OTHER COUNTRY REGULATIONS AS DESCRIBED IN GS-22-008.
- PART NUMBERS ENDING IN "LF" MEANS FOR NOTE 6 LEAD FREE IDENTIFICATION. P/N XXXXXXXX-XXXLF IS EQUIVALENT TO PREVIOUS P/N XXXXXXXX-XXX.

mat'l code		surface	tolerance	projection	product family
		ISO 1302	ISO 406 ISO 1101		SAS
		tolerances unless otherwise specified			title
ltr	ecn no	dr	date	mm	SAS RECEPTACLE VERTICAL TH TYPE ASSY
A	S04-0026	GLL	2004-02-27	scale 2 : 1	dwg no 10018182
B	S04-0201	GLL	2004-09-27		
C	S05-0026	GLL	2005-02-14		sheet 1 of 1 size A4
D	S06-0281	GLL	2006-08-28		
		dr	GL L00	2004-02-27	type CUSTOMER Drawing
		enrg	GL L00	2004-02-27	
		chr	GL L00	2006-08-28	
		appd	JOEY NG	2006-08-28	
sheet index	revision sheet	D			
	1				