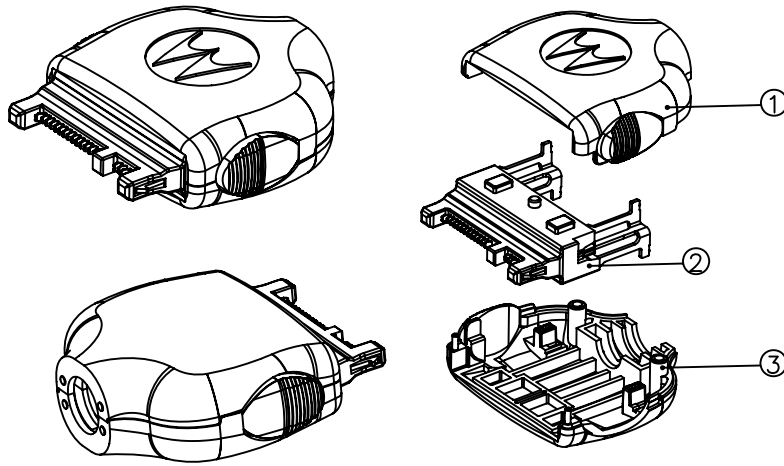
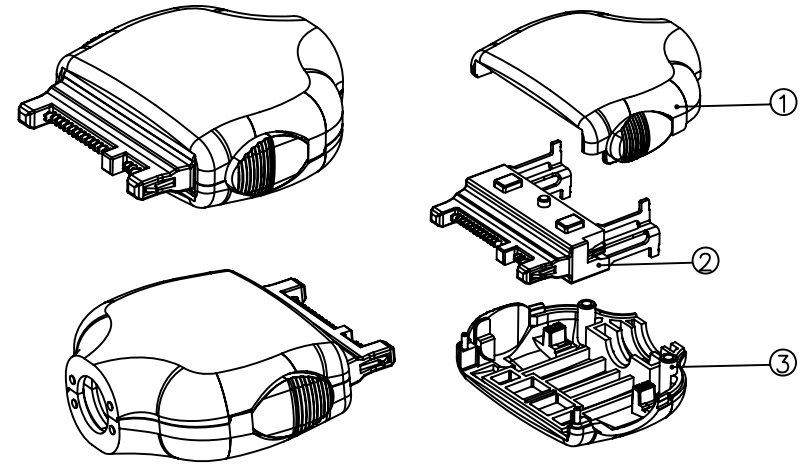




	DESCRIPTION	PART NUMBER	10012838-001LF	10012838-004LF	10012838-003LF	REMARK
			Q'TY	Q'TY	Q'TY	
1	TOP COVER	10017335-001	1	1	N/A	WITH "M" LOGO
		10017335-002	N/A	N/A	1	WITHOUT "M" LOGO
2	17P DATA PLUG ASS'Y	10028885-001LF	1	1	1	
3	BOTTOM COVER	10017334-001	1	1	1	
REMARK				Special package		



10012838-001LF/001/004LF



10012838-003LF

Notes:

- The housing of 10028885-xxx will withstand exposure to 260°C peak temperature for 10 seconds in a convection, infra red vapor phase reflow oven
- 10012838-001LF meets European union directives and other country regulations as described in GS-22-008
- Lead free label on the carton of 10028885-001LF per GS-14-920
- Plating specification for terminal:
1.2 um minimum nickel all over followed by:
Contact side: 0.8 um minimum Au
Solder tail side: 2.5 ~ 10 um pure Sn for 10028885-001LF/003LF

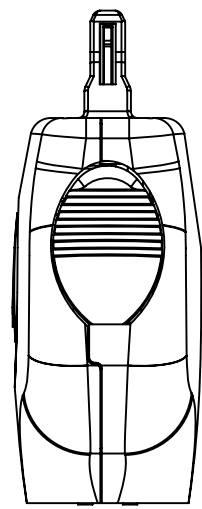
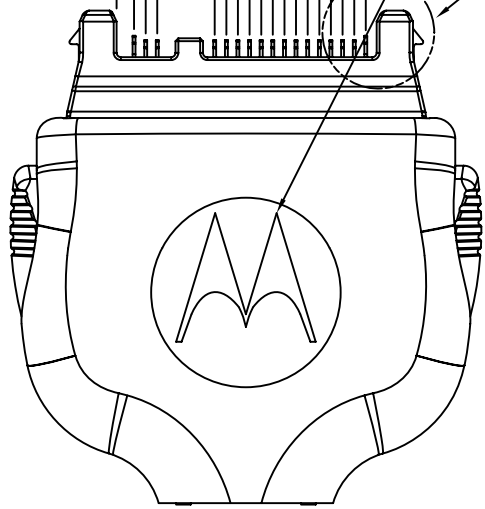
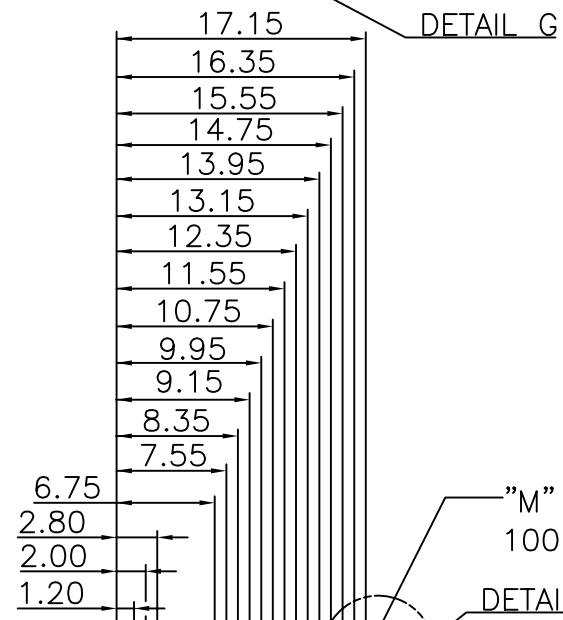
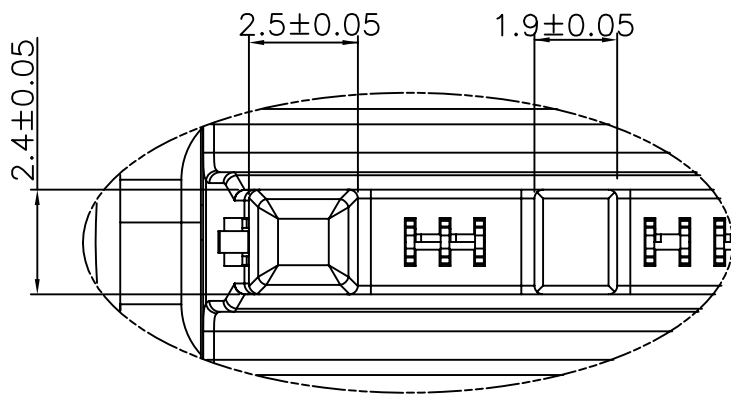
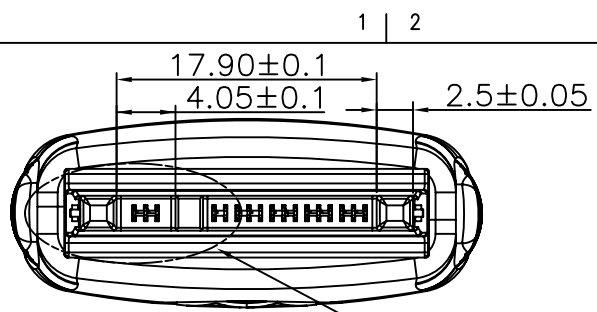
mat'l. code				tolerances unless otherwise specified		CUSTOMER COPY	FCI	
ltr	ecn no	dr	date	linear	.X ± 0.15	projection	title 17P DATA PLUG ASS'Y	
C	T03-0322	M W	08/06/03		.XX ± 0.10			
D	T04-0217	M W	05/19/04		.XXX ±	MM	product family MOBILE I/O code -	
E	pg04-0077	P M	10/12/04	angles	.0° ± 2°			
F	pg04-0096	P M	12/16/04	dr	MAGGIE WU 05/22/03	scale	size dwg no 10012838	
G	pg05-0099	P M	07/11/05	enrg	LEIF SHEN 05/22/03			
H	pg06-0452	C L	11/07/06	chr	PAUL WANG 05/22/03	2:1	sheet 1 of 4	
J	pg07-0027	C L	01/22/07	appd	JENN TSAO 05/22/03			
sheet index	revision sheet	J	G	C	C			

Tous droits strictement reserves. Reproduction ou communication a des tiers interdite sous quelque forme que ce soit sans autorisation ecrite du proprietaire. Propriete de c FCI. Droits de reproduction FCI.

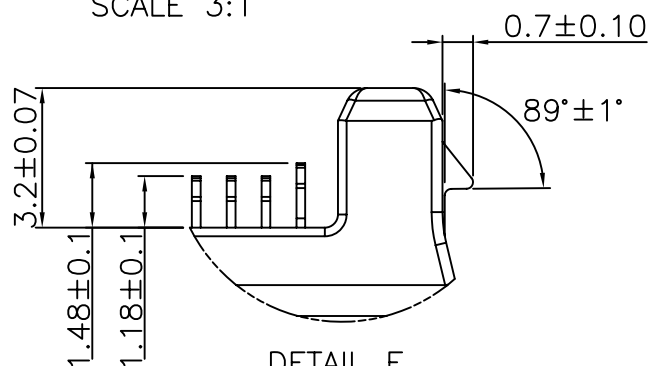


All rights strictly reserved. Reproduction or issue to third parties in any form whatever is not permitted without written authority from the proprietor. Property of FCI. Copyright FCI.

PART NUMBER	10012838-001LF
	10012838-003LF
	10012838-004LF



DETAIL G
SCALE 3:1



DETAIL F
SCALE 3:1

mat'l. code		tolerances unless otherwise specified		CUSTOMER COPY		FCI www.fciconnect.com		
ltr	ecn no	dr	date	linear	.X ± 0.15	projection	title	
G					.XX ± 0.10		17P DATA PLUG ASS'Y	
					.XXX ±			
				angles	.0° ± 2°		product family	
				dr	MAGGIE WU 05/22/03		MOBILE I/O	code
				engr	LEIF SHEN 05/22/03		size	—
				chr	PAUL WANG 05/22/03		dwg no	sheet
				appd	JENN TSAO 05/22/03	scale	2 of 4	
sheet index	revision sheet					2:1		
						A4	10012838	

cage code 22526

ACAD

PDM: Rev:J

STATUS Released

Printed: Apr 14, 2006

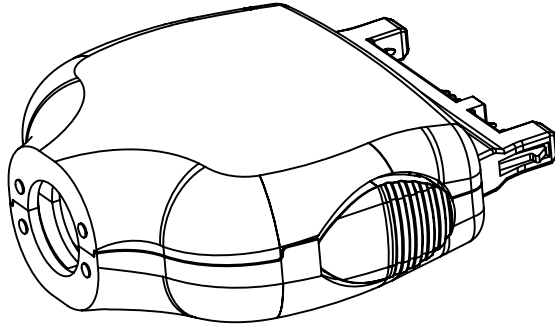
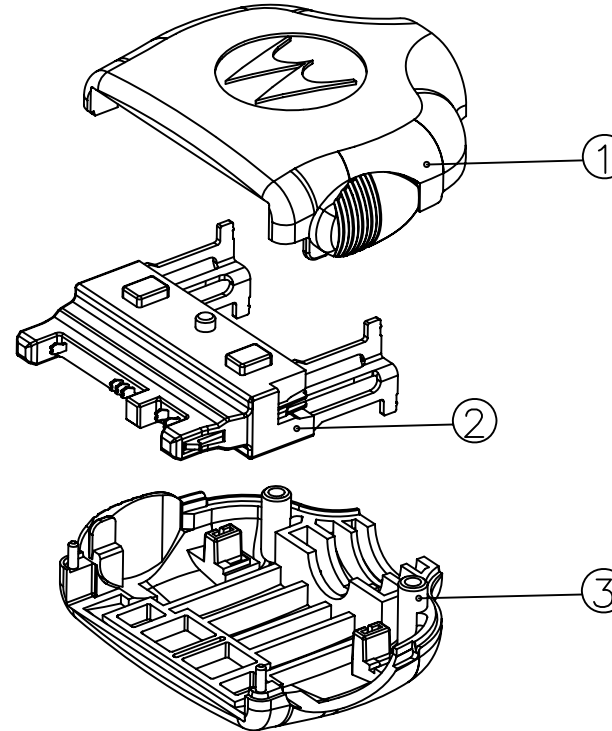
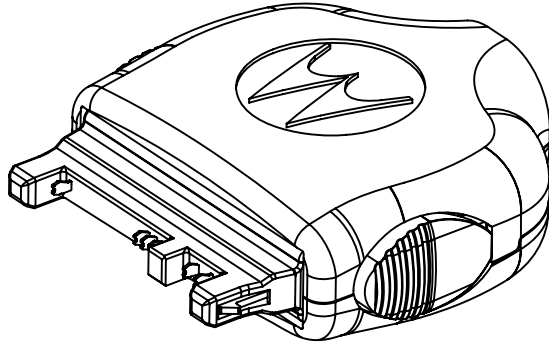


1 | 2

3

4

	DESCRIPTION	PART NUMBER	10012838-002LF
			Q'TY
1	TOP COVER	10017335-001	1
2	6P DATA PLUG ASS'Y	10028885-002LF	1
3	BOTTOM COVER	10017334-001	1



Notes:

1. The housing of 10028885-xxx will withstand exposure to 260°C peak temperature for 10 seconds in a convection, infra red vapor phase reflow oven
2. 10012838-002LF meets European union directives and other country regulations as described in GS-22-008
3. Lead free label on the carton of 10028885-002LF per GS-14-920
4. Plating specification for terminal:
 1.2 um minimum nickel all over followed by:
 Contact side: 0.8 um minimum Au
 Solder tail side: 2.5 ~ 10 um pure Sn for 10028885-002LF

mat'l. code				tolerances unless otherwise specified		CUSTOMER COPY		 www.fciconnect.com		
ltr	ecn no	dr	date	linear	.X ± 0.15	projection		title		
C					.XX ± 0.10			17P DATA PLUG ASS'Y		
				angles	.0° ± 2'			product family MOBILE I/O code		
				dr	MAGGIE WU 05/22/03	MM		size		
				enrg	LEIF SHEN 05/22/03			A4		sheet
				chr	PAUL WANG 05/22/03	scale	2:1	10012838		
				appd	JENN TSAO 05/22/03			3 of 4		
sheet index	revision sheet									cage code
								22526		

1 | 2

3

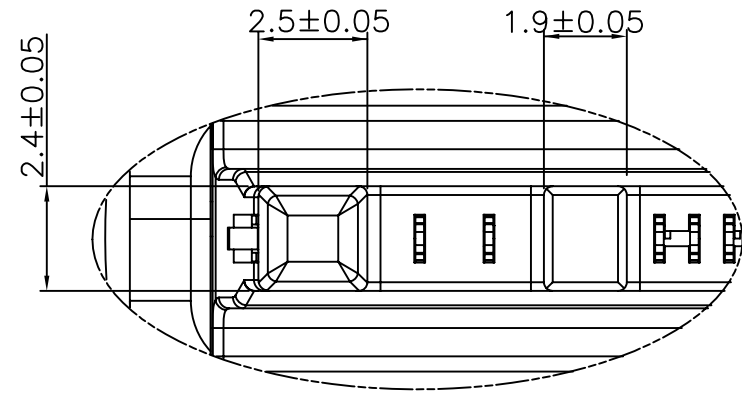
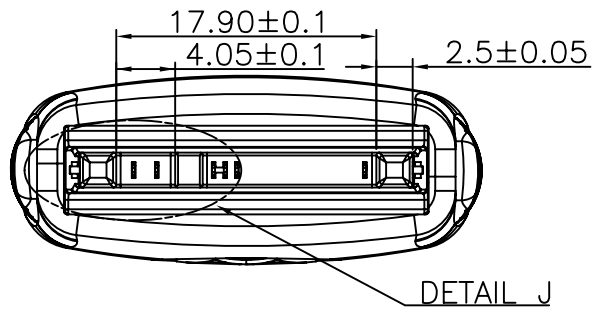
4

Tous droits strictement reserves. Reproduction ou communication a des tiers interdite sous quelque forme que ce soit sans autorisation ecrite du proprietaire. Propriete de c FCI. Droits de reproduction FCI.

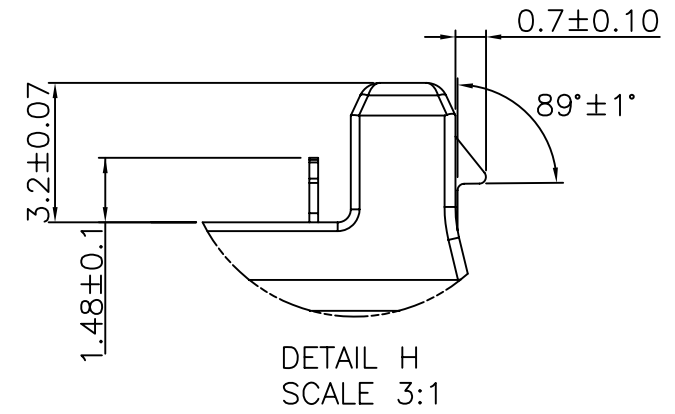
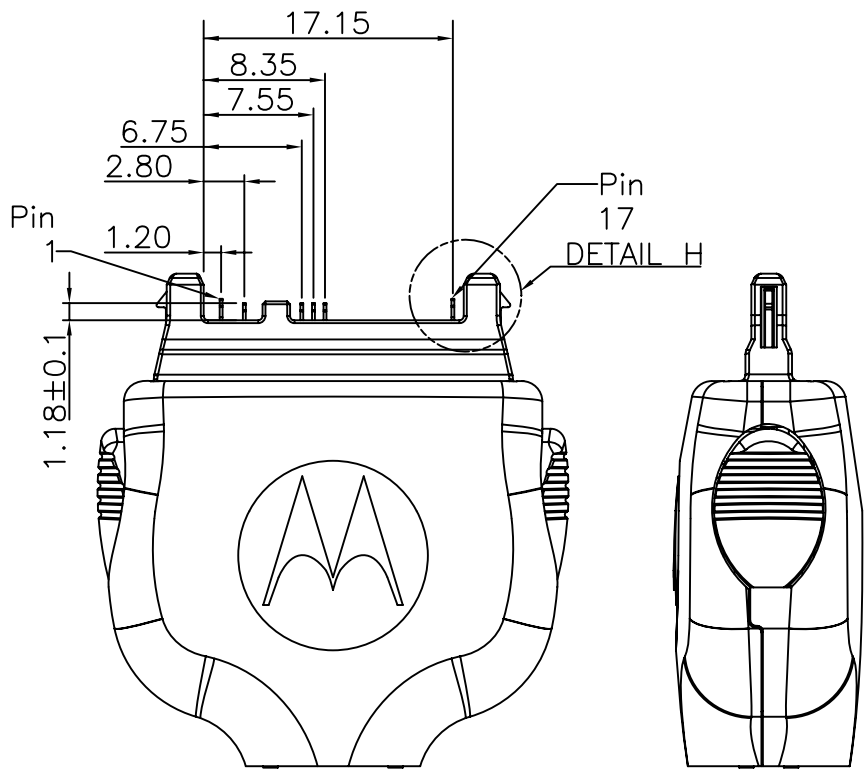


All rights strictly reserved. Reproduction or issue to third parties in any form whatever is not permitted without written authority from the proprietor. Property of FCI. Copyright FCI.

PART NUMBER 10012838-002LF



DETAIL J
SCALE 3:1



DETAIL H
SCALE 3:1

mat'l. code				tolerances unless otherwise specified		CUSTOMER COPY		FCI www.fciconnect.com			
ltr	ecn no	dr	date	linear	.X ± 0.15	projection	title				
C					.XX ± 0.10			17P DATA PLUG ASS'Y			
				angles	.0° ± 2°			product family MOBILE I/O code			
				dr	MAGGIE WU 05/22/03		size		code		
				engr	LEIF SHEN 05/22/03		A4		10012838	sheet 4 of 4	
				chr	PAUL WANG 05/22/03	scale	2:1				
				appd	JENN TSAO 05/22/03						
sheet index	revision sheet									cage code	
										22526	

ACAD

PDM: Rev:J

STATUS Released

Printed: Apr 14, 2006