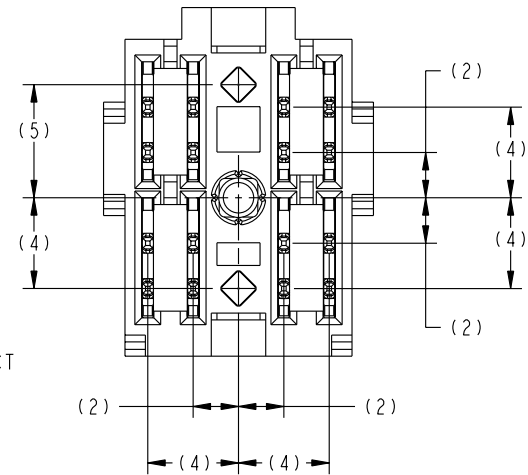
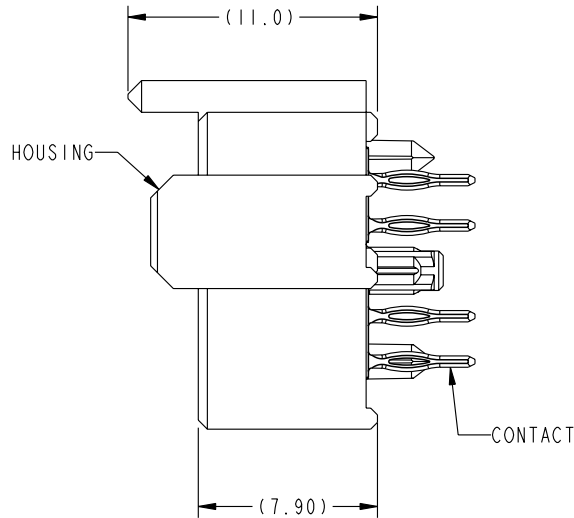
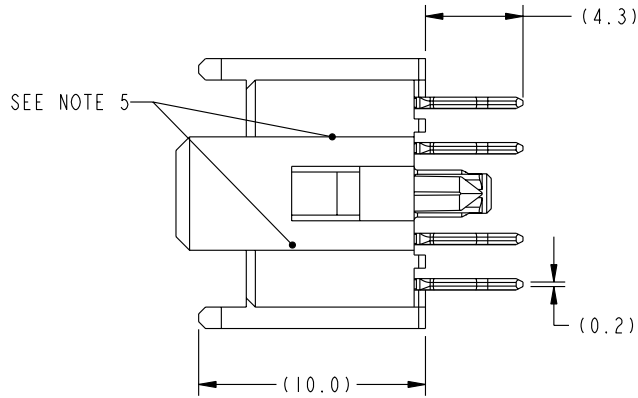
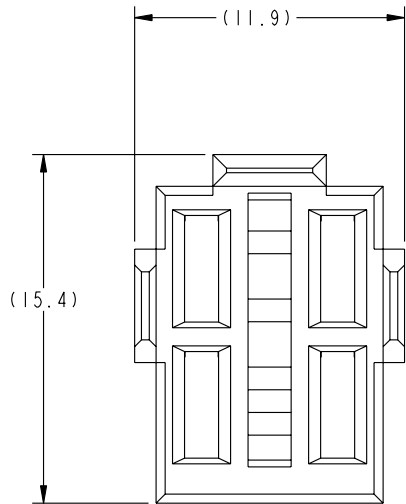


PRODUCT NUMBER	EQUIVALENT METRAL SIGNAL HEADER PIN LENGTH	ROHS COMPATIBILITY
10009536-001	8.0	N/A
10009536-002	6.5	N/A
10009536-003 *	5.0	N/A
10009536-001LF	8.0	SEE NOTE 9
10009536-002LF	6.5	SEE NOTE 9
10009536-003LF *	5.0	SEE NOTE 9

* SEE NOTE 7



Copyright FCI.

www.fciconnect.com			surface ASME Y14.5	tolerance std -	projection mm																																										
TOLERANCES UNLESS OTHERWISE SPECIFIED																																															
Dr	T. BRUNGARD	2002-07-12	ANGULAR	0.X ±.3	size A4																																										
Eng	T. BRUNGARD	2002-07-12	LINEAR	0.XX ±.1	Scale 3:1																																										
Chr	C. H. TAN	2005-10-21	0° ±2°	0.XXX ±.051	ECN S05-0300																																										
Appr	JOEY NG	2005-10-21	Product family 2mm HI POWER		Spec ref -																																										
<table border="1"> <thead> <tr> <th>rev</th> <th>ecn no</th> <th>dr</th> <th>date</th> </tr> </thead> <tbody> <tr> <td>A</td> <td>V03-0226</td> <td>WJS</td> <td>2003-04-08</td> </tr> <tr> <td>B</td> <td>V03-0589</td> <td>WJS</td> <td>2003-05-22</td> </tr> <tr> <td>C</td> <td>V03-0752</td> <td>GIP</td> <td>2003-08-19</td> </tr> <tr> <td>D</td> <td>V04-0115</td> <td>DAI</td> <td>2004-02-05</td> </tr> <tr> <td>E</td> <td>S05-0300</td> <td>MC</td> <td>2005-10-21</td> </tr> <tr> <td>F</td> <td>S06-0412</td> <td>LS</td> <td>2006-12-21</td> </tr> <tr> <td>-</td> <td>-</td> <td>-</td> <td>-</td> </tr> </tbody> </table>			rev	ecn no	dr	date	A	V03-0226	WJS	2003-04-08	B	V03-0589	WJS	2003-05-22	C	V03-0752	GIP	2003-08-19	D	V04-0115	DAI	2004-02-05	E	S05-0300	MC	2005-10-21	F	S06-0412	LS	2006-12-21	-	-	-	-	<table border="1"> <tr> <td rowspan="2">FCI</td> <td>title</td> <td>RECEPTACLE ASSEMBLY</td> <td rowspan="2">dwg no</td> <td>10009536</td> <td rowspan="2">Rev.</td> <td>F</td> </tr> <tr> <td>catalog no</td> <td>-</td> <td>CUSTOMER</td> <td>sheet 1 of 2</td> </tr> </table>		FCI	title	RECEPTACLE ASSEMBLY	dwg no	10009536	Rev.	F	catalog no	-	CUSTOMER	sheet 1 of 2
rev	ecn no	dr	date																																												
A	V03-0226	WJS	2003-04-08																																												
B	V03-0589	WJS	2003-05-22																																												
C	V03-0752	GIP	2003-08-19																																												
D	V04-0115	DAI	2004-02-05																																												
E	S05-0300	MC	2005-10-21																																												
F	S06-0412	LS	2006-12-21																																												
-	-	-	-																																												
FCI	title	RECEPTACLE ASSEMBLY	dwg no	10009536	Rev.	F																																									
	catalog no	-		CUSTOMER		sheet 1 of 2																																									

