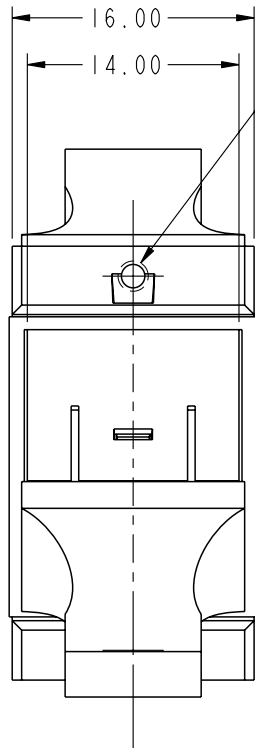


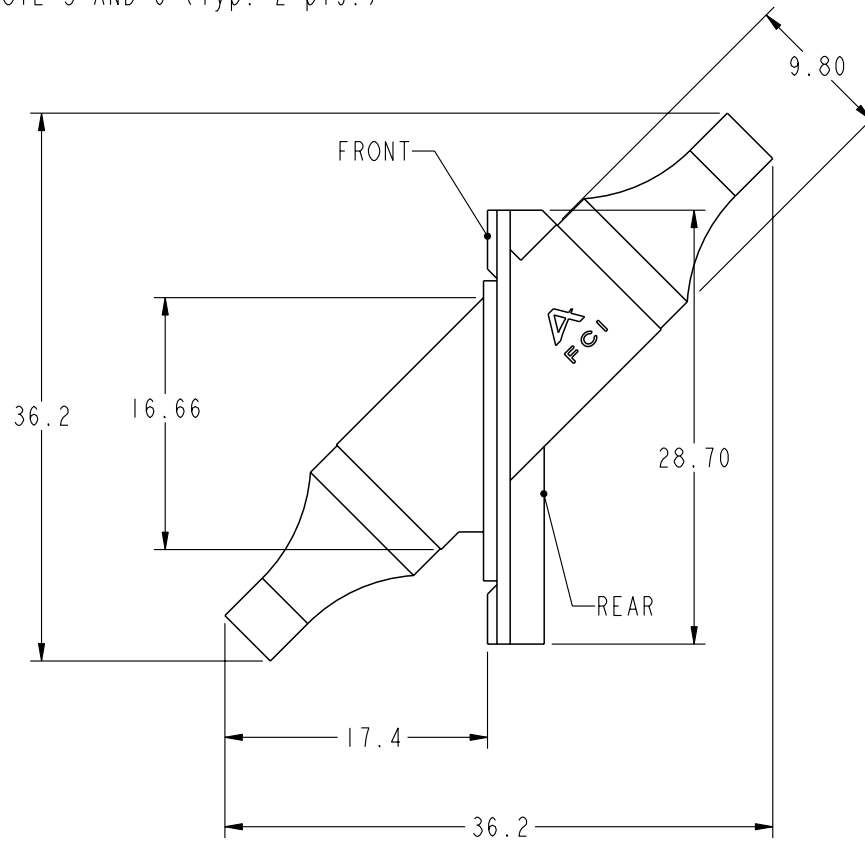


This document is the property of and embodies
 CONFIDENTIAL and PROPRIETARY information of FCI.
 No part of the information shown on this
 document may be used in any way or disclosed
 to others without the written consent of FCI.
 Copyright FCI.

PRODUCT NUMBER	STYLE
10009255-001	NO SHUTTER

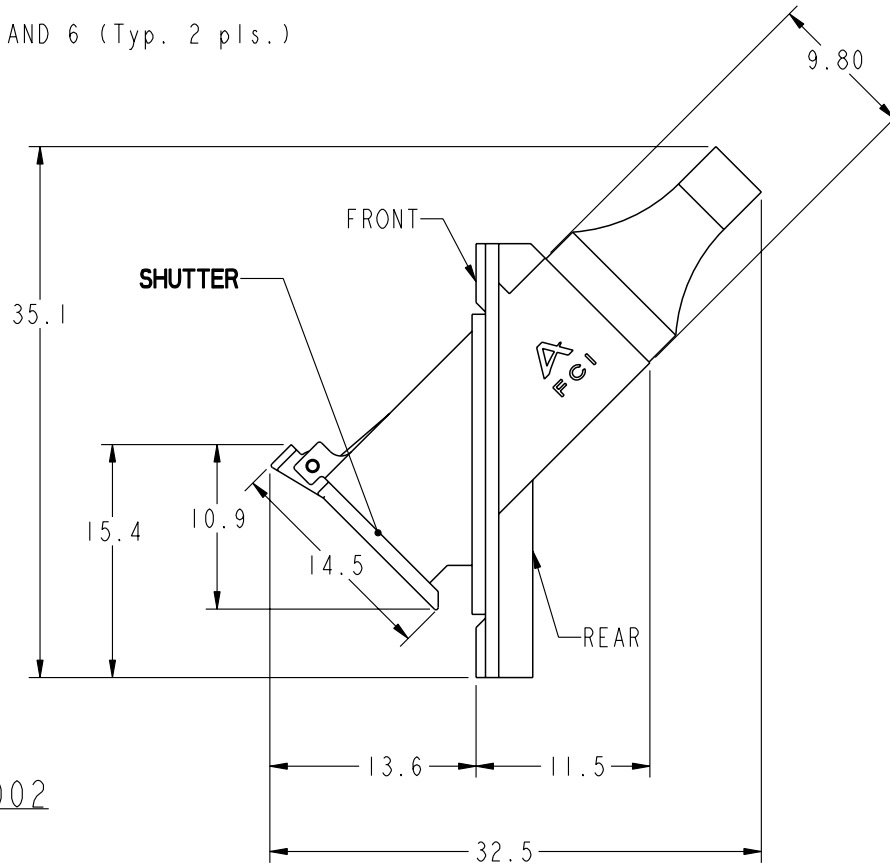
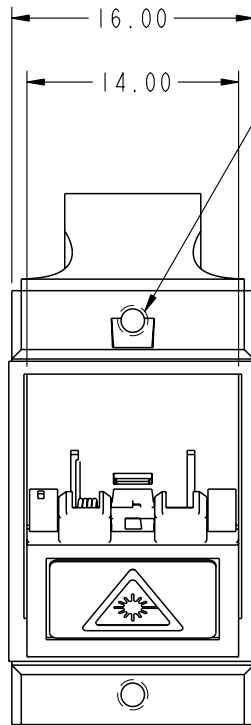


10009255-001



mat'l code				SEE NOTE 4		tolerances unless otherwise specified		CUSTOMER		www.fciconnect.com	
ltr	ecm no.	dr	date	linear	0.X ±0.3		COPY			title	
A	V21443	BKB	9/06/02		0.XX ±0.10		MM			45° MPO DIE CAST ADAPTER ASSEMBLY	
B	V03-0262	HN	05/20/03	angles	0.XXX ±0.050		scale		product family		
C	V05-0701	DAI	07/26/05		0° ±2°		2:1		FIBER OPTICS		
D	V06-0182	DAI	2006-05-12	dr	B. BAHN	6/13/02	size		code		
				enrg	B. TROSTLE	6/13/02	dwg no		213		
				chr	B. TROSTLE	6/13/02	A		10009255		
				appd	D. BUSH	6/13/02	sheet		1 of 5		
sheet index		revision sheet	D 1	D 2	D 3	D 4	D 5	cage code		22526	

PRODUCT NUMBER	STYLE
10009255-002	WITH SHUTTER

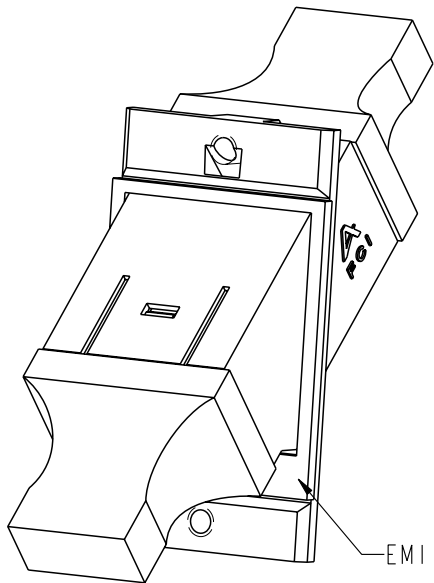


10009255-002

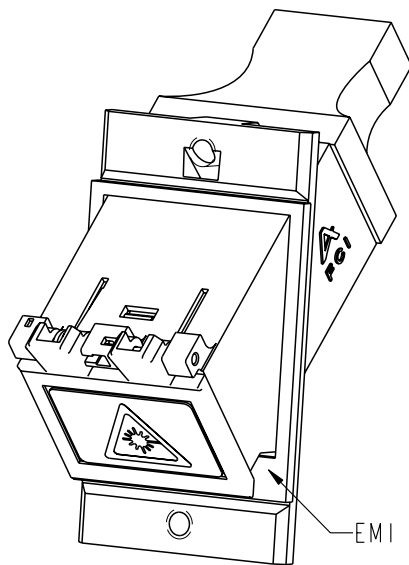
mat'l code		SEE NOTE 4		tolerances unless otherwise specified		CUSTOMER		FCI www.fciconnect.com	
ltr	ecm no.	dr	date	linear	0.X ±0.3	COPY		title	
D					0.XX ±0.10	projection		45° MPO DIE CAST ADAPTER ASSEMBLY	
				angles	0.XXX ±0.050	⊕		product family	
				dr	B. BAHN 6/13/02	MM		FIBER OPTICS	
				engr	B. TROSTLE 6/13/02	← MM →		code	
				chr	B. TROSTLE 6/13/02	scale		213	
				appd	D. BUSH 6/13/02	2:1		sheet	
sheet index		revision sheet						2	

This document is the property of and embodies CONFIDENTIAL and PROPRIETARY information of FCI. No part of the information shown on this document may be used in any way or disclosed to others without the written consent of FCI. Copyright FCI.

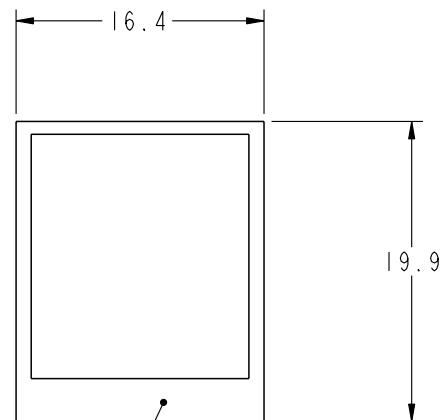
PRODUCT NUMBER	STYLE
10009255-001	NO SHUTTER
10009255-002	WITH SHUTTER




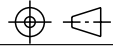

10009255-001



10009255-002



Install with this End to the Bottom Side of Adapter)
EMI GASKET

mat'l code				SEE NOTE 4		tolerances unless otherwise specified		CUSTOMER		 www.fciconnect.com	
ltr	ecr no.	dr	date	linear	0.X ±0.3		projection	COPY		title	
D					0.XX ±0.10					45° MPO DIE CAST ADAPTER ASSEMBLY	
				angles	0.XXX ±0.050			product family		code	
					0° ±2°			MM		FIBER OPTICS	
				dr	B. BAHN	6/13/02	scale	2:1	size	dwg no	sheet
				enr	B. TROSTLE	6/13/02			A	10009255	3
				chr	B. TROSTLE	6/13/02			cage code		
				appd	D. BUSH	6/13/02			22526		
sheet index	revision sheet										

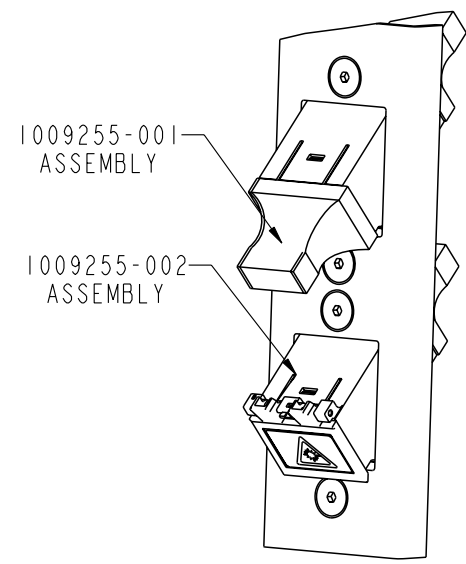
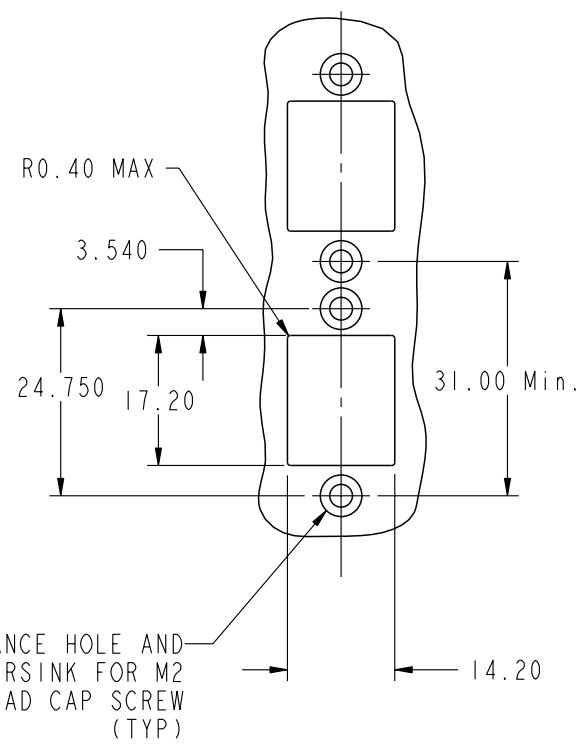
This document is the property of and embodies CONFIDENTIAL and PROPRIETARY information of FCJ. No part of the information shown on this document may be used in any way or disclosed to others without the written consent of FCJ. Copyright FCJ.

1 | 2

3 |

4

PRODUCT NUMBER	STYLE
10009255-001	NO SHUTTER
10009255-002	WITH SHUTTER



PANEL CUTOUT REFERENCE



This document is the property of and embodies CONFIDENTIAL and PROPRIETARY information of FCI. No part of the information shown on this document may be used in any way or disclosed to others without the written consent of FCI. Copyright FCI.

mat'l code		SEE NOTE 4		tolerances unless otherwise specified		CUSTOMER		www.fciconnect.com	
ltr	ecr no.	dr	date	linear	0.X ±0.3		COPY		title 45° MPO DIE CAST ADAPTER ASSEMBLY
D					0.XX ±0.10		projection		
					0.XXX ±0.050				
				angles	0° ±2°				product family FIBER OPTICS code 213 size dwg no 10009255 sheet 4
				dr	B. BAHN	6/13/02	MM		
				enr	B. TROSTLE	6/13/02	← MM →		
				chr	B. TROSTLE	6/13/02	scale		
				appd	D. BUSH	6/13/02	2:1		
sheet index	revision sheet								

1 | 2

Pro/E

3 |

cage code 22526

4

PRODUCT NUMBER	STYLE
10009255-001	NO SHUTTER
10009255-002	WITH SHUTTER

NOTES:

- SEE SHEET 3 FOR EMI GASKET, SEE SHEET 4 FOR PANEL CUTOUT.
- PARTS SHOWN ASSEMBLED FOR REFERENCE ONLY.
- THICKNESS OF CUSTOMER SUPPLIED PANEL TO BE 1.2mm ±0.10.
- MATERIAL AND PLATING:
 ADAPTER - ZINC DIE CAST
 PLATING - BRIGHT NICKEL
 GASKET - CONDUCTIVE ELASTOMER, UL94 V-0
 SHUTTER - POLYCARBONATE, UL94 V-0
- REQUIRED MOUNTING HARDWARE:
 M2 X 4mm FLATHEAD CAP SCREW (QTY 2)
- RECOMMENDED SCREW TORQUE SETTING:
 24ozf-in (NOT TO EXCEED 32ozf-in)
- LF INDICATES PART NUMBER IS LEAD FREE. LEAD FREE PART NUMBERS MEET EUROPEAN UNION DIRECTIVES AND OTHER COUNTRY REGULATIONS AS DESCRIBED IN GS-22-008.
- PACKAGE ACCORDING TO GS-14-920 FOR LEAD FREE LABELING SPECIFICATIONS REQUIREMENTS.
- THIS PRODUCT IS NOT INTENDED TO BE EXPOSED TO MANUFACTURING SOLDER PROCESSES.

A

A



This document is the property of and embodies CONFIDENTIAL and PROPRIETARY information of FCI. No part of the information shown on this document may be used in any way or disclosed to others without the written consent of FCI. Copyright FCI.

B

B

mat'l code				SEE NOTE 4		tolerances unless otherwise specified		CUSTOMER		www.fciconnect.com	
ltr	ecr no.	dr	date	linear	0.X ±0.3		COPY			title	
D					0.XX ±0.10		projection			45° MPO DIE CAST ADAPTER ASSEMBLY	
					0.XXX ±0.050						
				angles	0° ±2°				product family		
				dr	B. BAHN	6/13/02	MM		FIBER OPTICS		
				enr	B. TROSTLE	6/13/02			code	213	
				chr	B. TROSTLE	6/13/02	A		size	dwg no	
				appd	D. BUSH	6/13/02	2:1		10009255	sheet	
sheet index	revision sheet									5	