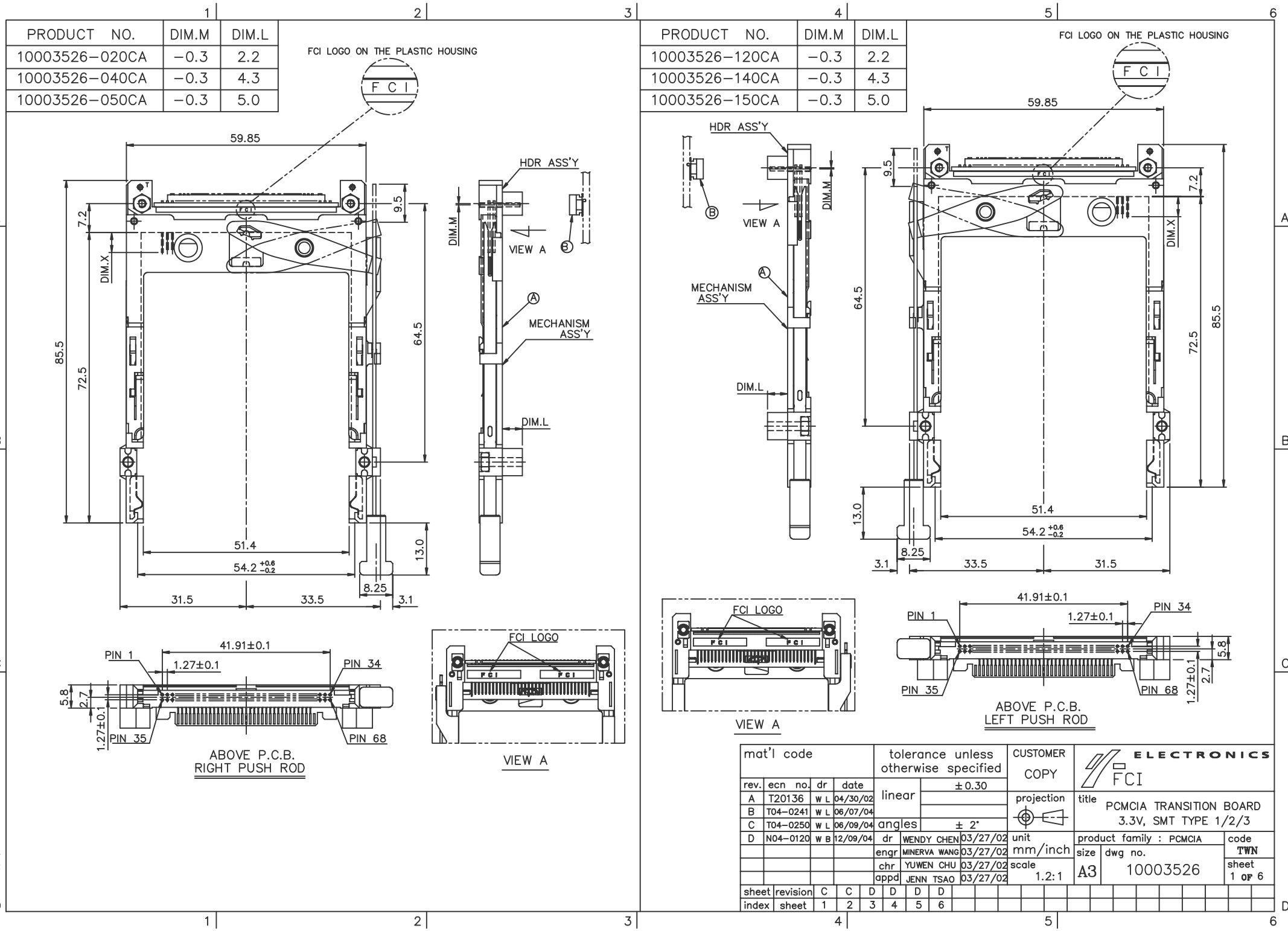


All rights strictly reserved. Reproduction or issue to third parties in any form or by any means, electronic or mechanical, including photocopying, recording, or by any information storage and retrieval system, is not permitted without written authority from the proprietor.  
 Property of c BERG ELECTRONICS.  
 Copyright BERG ELECTRONICS by



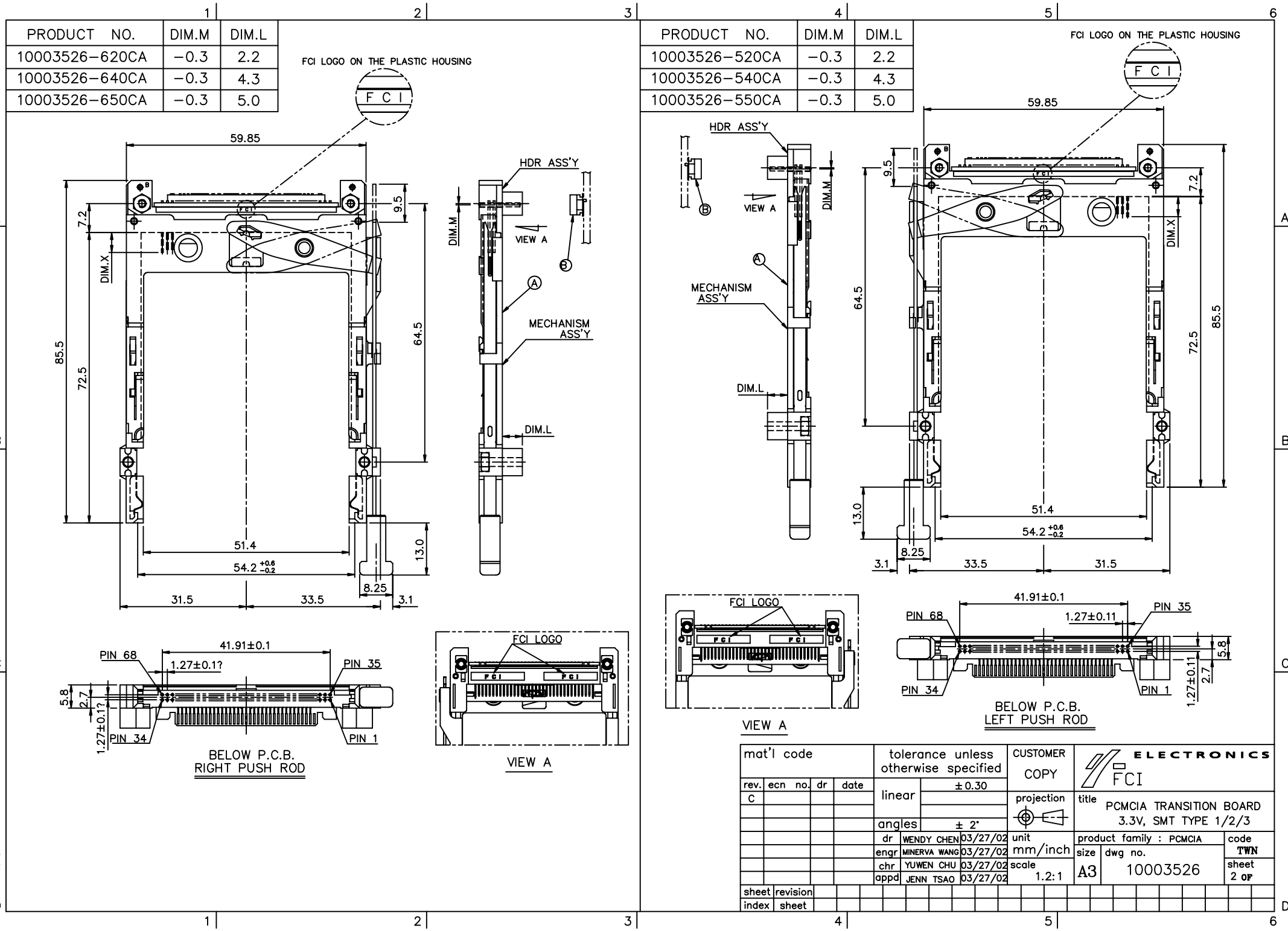
PRODUCT NO.	DIM.M	DIM.L
10003526-020CA	-0.3	2.2
10003526-040CA	-0.3	4.3
10003526-050CA	-0.3	5.0

PRODUCT NO.	DIM.M	DIM.L
10003526-120CA	-0.3	2.2
10003526-140CA	-0.3	4.3
10003526-150CA	-0.3	5.0

mat'l code		tolerance unless otherwise specified		CUSTOMER COPY		FCI ELECTRONICS	
rev.	ecn no.	dr	date	linear	± 0.30	projection	title PCMCIA TRANSITION BOARD 3.3V, SMT TYPE 1/2/3 product family : PCMCIA code TWN sheet 1 OF 6
A	T20136	W L	04/30/02	angles	± 2°		
B	T04-0241	W L	06/07/04	dr	WENDY CHEN 03/27/02	unit	
C	T04-0250	W L	06/09/04	enr	MINERVA WANG 03/27/02	mm/inch	
D	N04-0120	W B	12/09/04	chr	YUWEN CHU 03/27/02	scale	size
				appd	JENN TSAO 03/27/02	1.2:1	A3
sheet index	revision sheet	C 1	C 2	D 3	D 4	D 5	D 6

Tous droits strictement réservés. Reproduction ou communication, a des tiers int  
 sous quelque forme que ce soit sans autorisation écrite du propriétaire.  
 propriété de c BERG ELECTRONICS.  
 Droits de reproduction BERG ELECTRONICS by

All rights strictly reserved. Reproduction or issue to third parties in any for  
 whatever is not permitted without written authority from the proprietor.  
 Property of c BERG ELECTRONICS.  
 Copyright BERG ELECTRONICS by



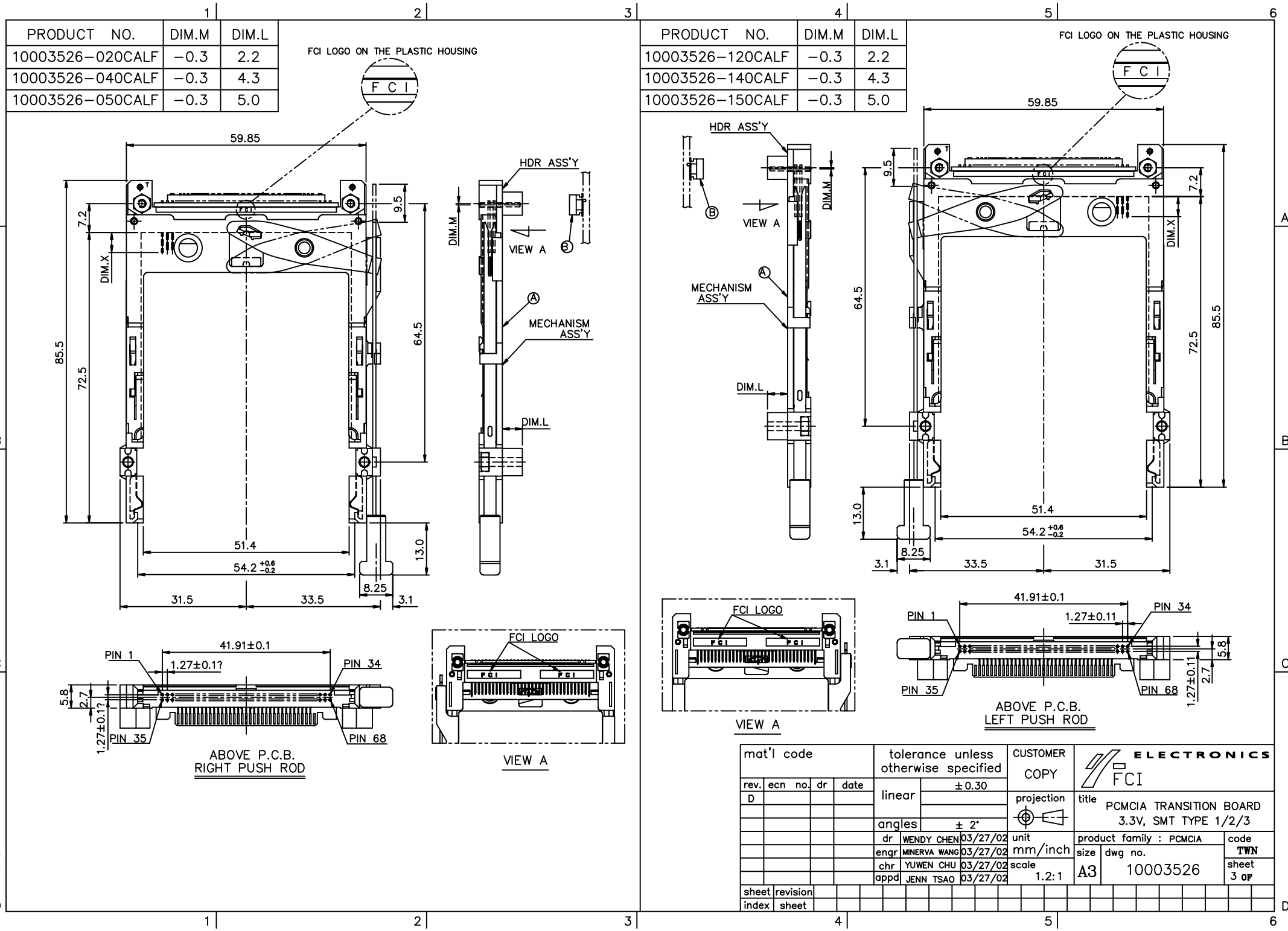
PRODUCT NO.	DIM.M	DIM.L
10003526-620CA	-0.3	2.2
10003526-640CA	-0.3	4.3
10003526-650CA	-0.3	5.0

PRODUCT NO.	DIM.M	DIM.L
10003526-520CA	-0.3	2.2
10003526-540CA	-0.3	4.3
10003526-550CA	-0.3	5.0

FCI LOGO ON THE PLASTIC HOUSING	
FCI	

mat'l code	tolerance unless otherwise specified	CUSTOMER COPY		
rev. ecn no. dr date	linear ± 0.30	projection	title PCMCIA TRANSITION BOARD	
C	angles ± 2°		3.3V, SMT TYPE 1/2/3	
	dr WENDY CHEN 03/27/02	unit mm/inch	product family : PCMCIA	
	enr MINERVA WANG 03/27/02	size	code TWN	
	chr YUWEN CHU 03/27/02	scale 1.2:1	sheet 2 of	
	appd JENN TSAO 03/27/02		A3 10003526	
sheet index	revision sheet			

Tous droits strictement réservés. Reproduction ou communication, a des tiers int  
 sous quelque forme que ce soit sans autorisation écrite du propriétaire.  
 propriété de c BERG ELECTRONICS.  
 Droits de reproduction BERG ELECTRONICS by  
 FCI  
 All rights strictly reserved. Reproduction or issue to third parties in any for  
 whatever is not permitted without written authority from the proprietor.  
 Property of c BERG ELECTRONICS.  
 Copyright BERG ELECTRONICS by  
 FCI

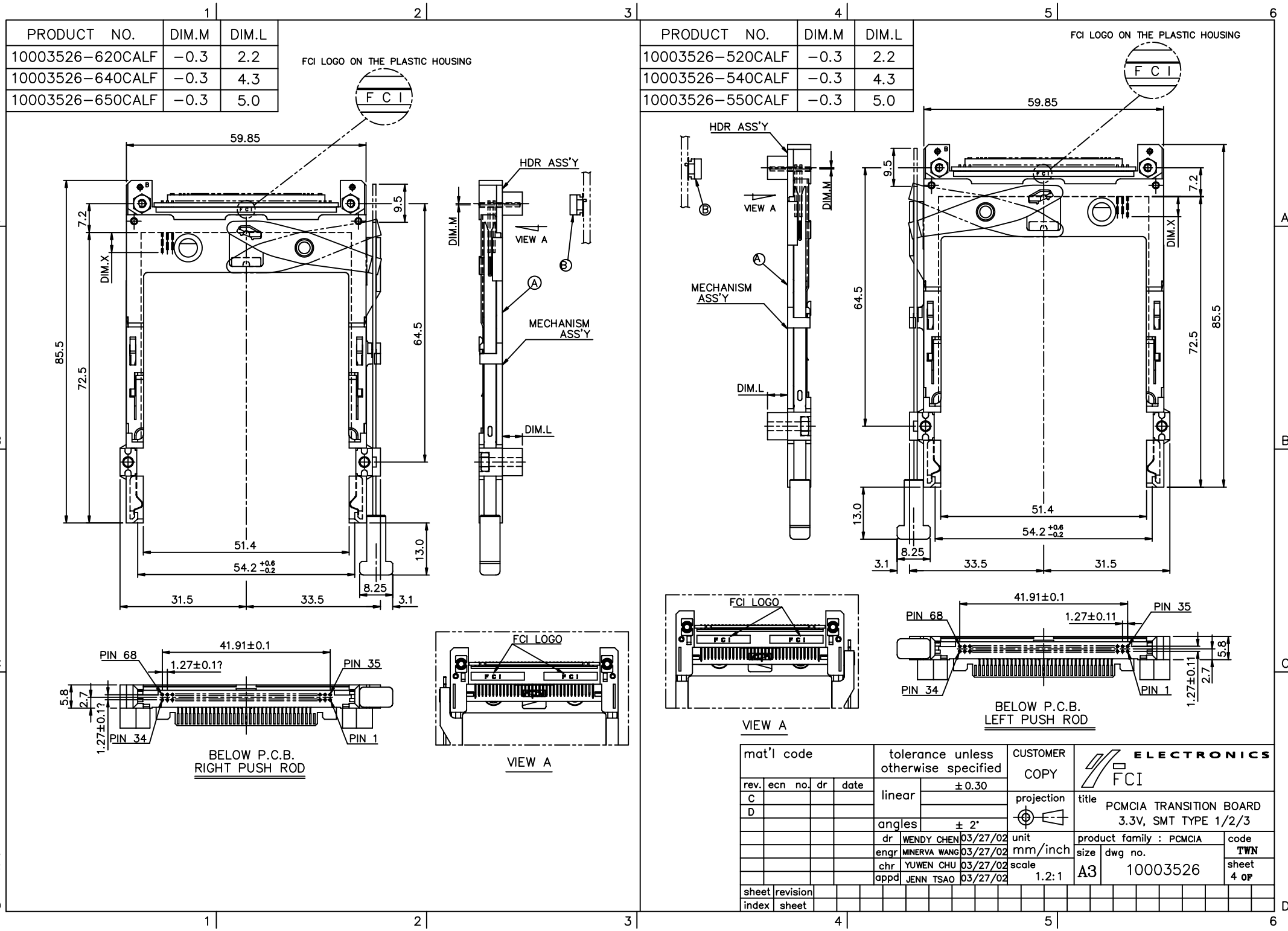


mat'l code	tolerance unless otherwise specified	CUSTOMER COPY	FCI ELECTRONICS	
rev. ecn no. dr date	linear ± 0.30	projection	PCMCIA TRANSITION BOARD	
D	angles ± 2°	⊕	3.3V, SMT TYPE 1/2/3	
	dr WENDY CHEN 03/27/02	unit	product family : PCMCIA	
	enr MINERVA WANG 03/27/02	mm/inch	code	
	chr YUWEN CHU 03/27/02	scale	TWN	
	appd JENN TSAO 03/27/02	1.2:1	sheet	
sheet revision			3 of	
index sheet				

Tous droits strictement réservés. Reproduction ou communication à des tiers sans autorisation écrite du propriétaire. Droits de reproduction BERG ELECTRONICS by

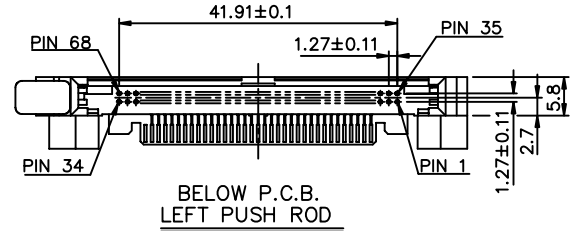
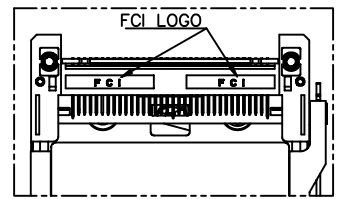
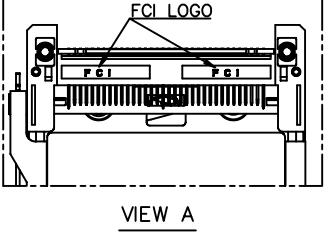
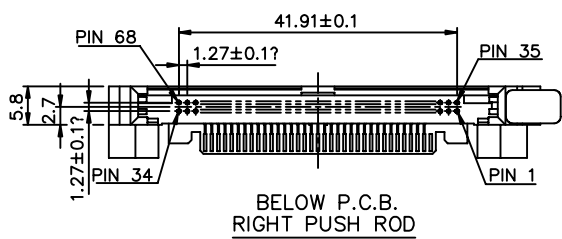
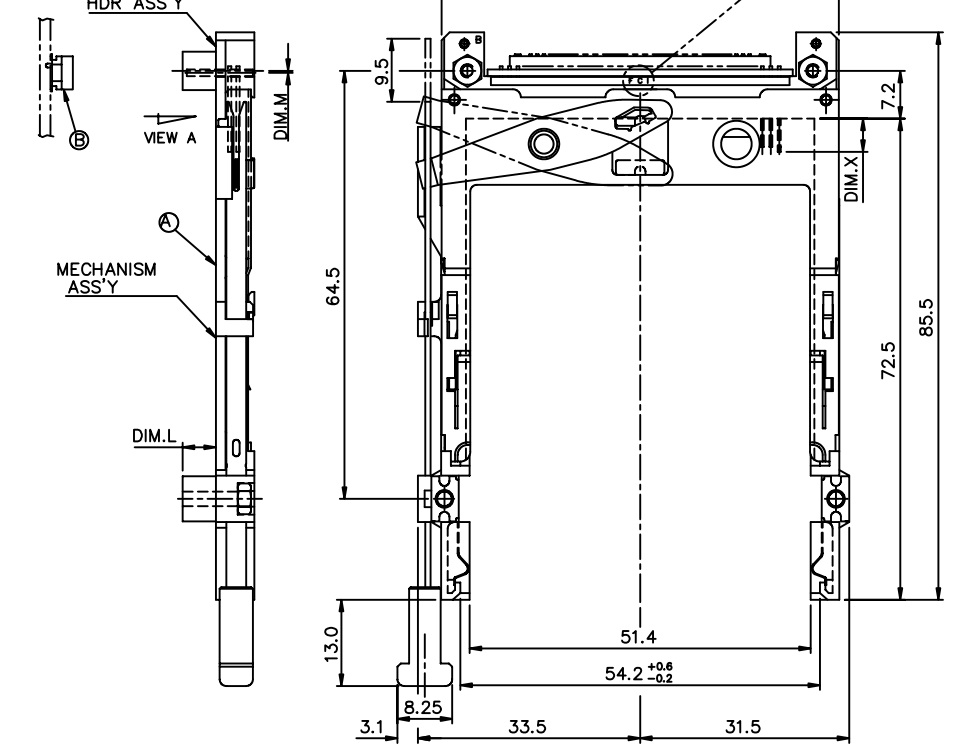
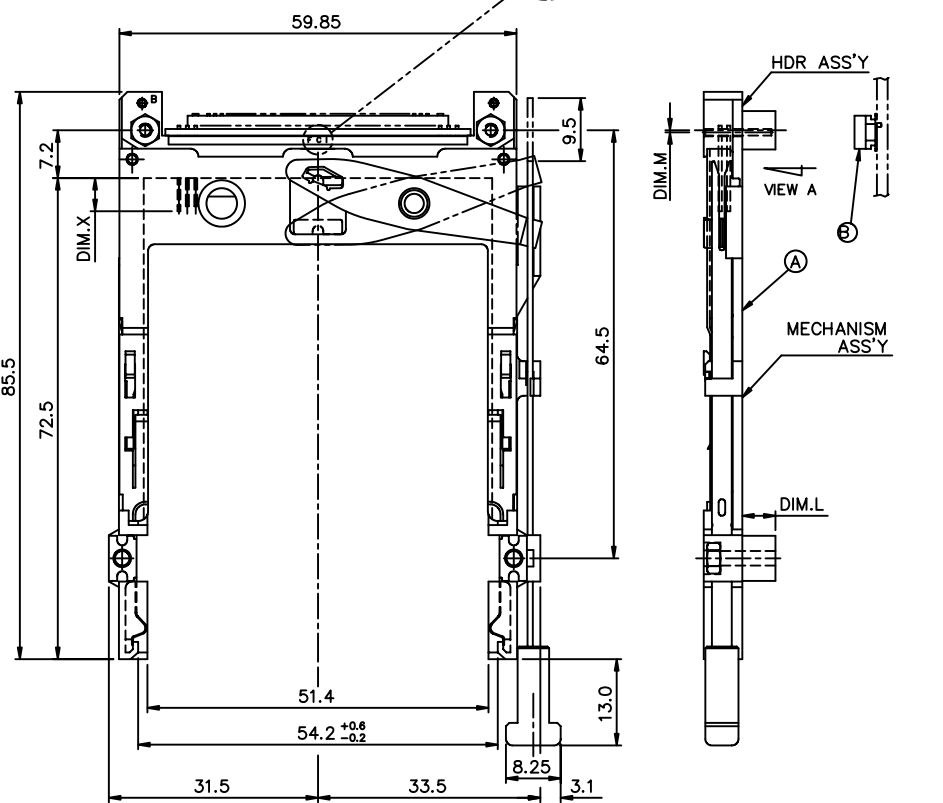


All rights strictly reserved. Reproduction or issue to third parties in any form without written authority from the proprietor. Copyright BERG ELECTRONICS by

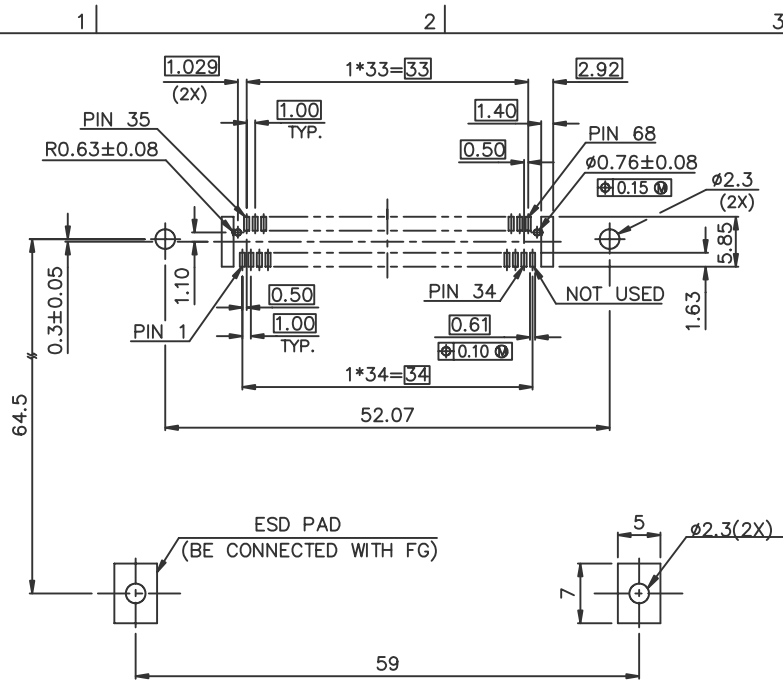


PRODUCT NO.	DIM.M	DIM.L
10003526-620CALF	-0.3	2.2
10003526-640CALF	-0.3	4.3
10003526-650CALF	-0.3	5.0

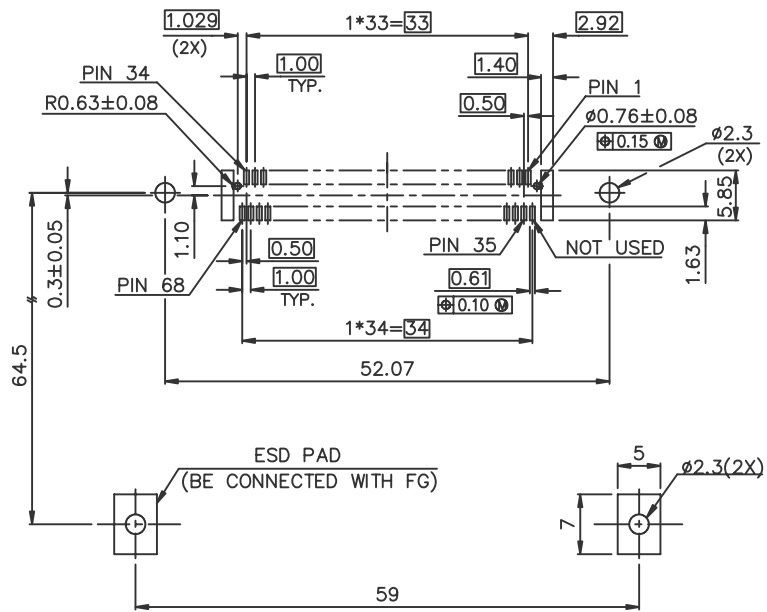
PRODUCT NO.	DIM.M	DIM.L
10003526-520CALF	-0.3	2.2
10003526-540CALF	-0.3	4.3
10003526-550CALF	-0.3	5.0



mat'l code		tolerance unless otherwise specified		CUSTOMER COPY		FCI ELECTRONICS	
rev.	ecn no.	dr	date	linear	± 0.30	projection	title
C				angles	± 2°		PCMCIA TRANSITION BOARD
D				dr	WENDY CHEN 03/27/02	unit	3.3V, SMT TYPE 1/2/3
				enr	MINERVA WANG 03/27/02	mm/inch	product family : PCMCIA
				chr	YUWEN CHU 03/27/02	scale	code
				appd	JENN TSAO 03/27/02	1.2:1	TWN
sheet	revision						size
index	sheet						A3
							10003526
							sheet
							4 of



FOR 10003526-0XXCA/1XXCA P.C.B LAYOUT  
BOARD VIEW FROM CONNECTOR MOUNTED SIDE



FOR 10003526-5XXCA/6XXCA P.C.B LAYOUT  
BOARD VIEW FROM CONNECTOR MOUNTED SIDE

NOTES:

1. 8mm MIN. CARD EJECT.
2. EJECT TRAVEL: 9.5mm
3. PUSH ROD LOCATION AND P.C.B. SIDE ARE AS APPEARS INSTALLED.
4. MATERIAL
  - 4.1 HEADER ASS'Y:
    - PLASTIC : HOUSING ...LCP UL94V-O BLACK
    - PIN : COPPER ALLOY
    - PCB : FR4
  - 4.2 EJECT MECHANISM ASS'Y:
    - PLASTIC : GUIDE: POLYPHTHARAMID UL94V-O BLACK
    - : BUTTON: POLYPHTHARAMID UL94V-O BLACK
    - PLATE AND PUSH ROD : STAINLESS
    - EMI CONTACT: PHOSPHOR BRONZE
5. FINISH (PIN)
  - UNDER PLATING : 0.5µm MIN. Ni
  - CONTACT AREA : 0.1µm MIN. GOLD OVER
  - 0.5µm MIN. Pd-Ni
  - SOLDER TAIL(TIN LEAD OPTION): 2.5µm MIN. Sn-Pb
  - SOLDER TAIL(LEAD FREE OPTION): 2.5µm MIN. PURE TIN
6. IF LEAD FREE P/N.THE HOUSING WILL WITHSTAND EXPOSURE TO 260°C PEAK TEMPERATURE FOR 10 SECONDS IN A WAVE SOLDER APPLICATION WITH A 1.00MM MINIMUM THICK CIRCUIT BOARD.
7. LEAD FREE PRODUCT MEETS EUROPEAN UNION DIRECTIVES AND OTHER COUNTRY REGULATIONS AS DISCRIBED IN GS-22-008
8. LEAD FREE PRODUCT PACKAGING MEETS GS-14-920 SPECIFICATION
9. DIM "X"

4.25±0.1	3.5±0.1	5.0±0.1
OTHERS	36,67	1,17,34,35,51,68

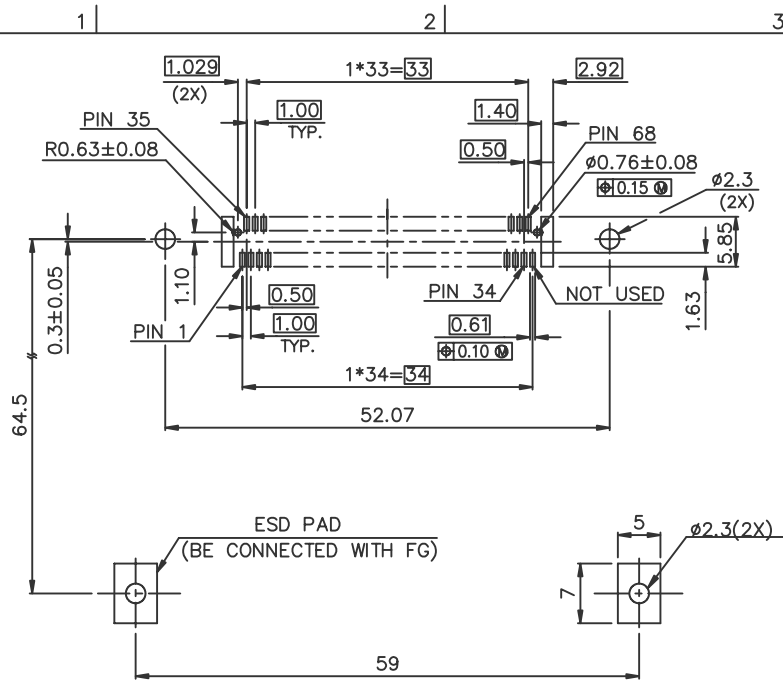
mat'l code		tolerance unless otherwise specified		CUSTOMER COPY			
rev.	ecn no.	dr	date	linear	±0.1	projection	title
A				angles			P.C.B LAYOUT
		dr	WENDY CHEN 03/27/02	unit	mm/inch	product family : PCMCIA	code
		enr	MINERVA WANG 03/27/02	scale		size	TWN
		chr	YUWEN CHU 03/27/02	scale		dwg no.	sheet
		appd	JENN TSAO 03/27/02			A3	5 of
sheet index	revision sheet						

Tous droits strictement reserves. Reproduction ou communication a des tiers int sous quelque forme que ce soit sans autorisation écrite du propriétaire. Propriete de c BERG ELECTRONICS. Droits de reproduction BERG ELECTRONICS by

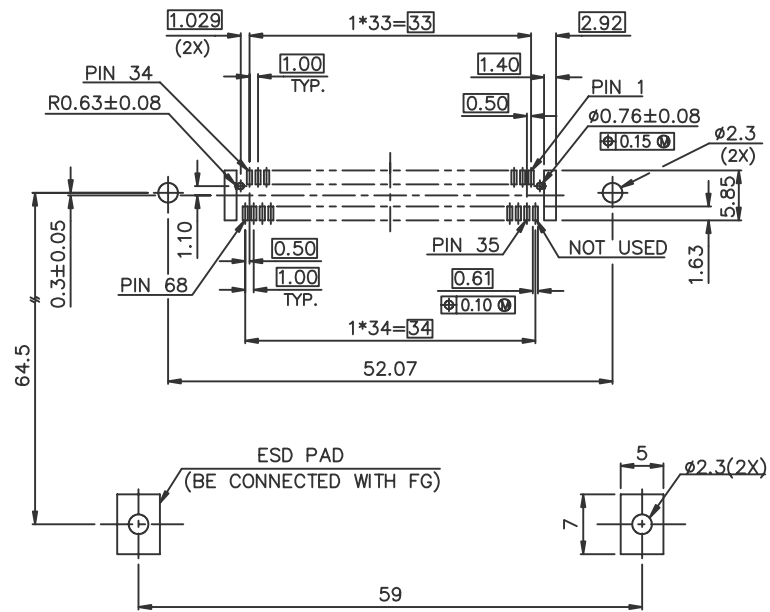
All rights strictly reserved. Reproduction or issue to third parties in any for whatever is not permitted without written authority from the proprietor. Property of c BERG ELECTRONICS. Copyright BERG ELECTRONICS by



D



FOR 10003526-0XXCALF/1XXCALF P.C.B LAYOUT  
BOARD VIEW FROM CONNECTOR MOUNTED SIDE



FOR 10003526-5XXCALF/6XXCALF P.C.B LAYOUT  
BOARD VIEW FROM CONNECTOR MOUNTED SIDE

ORDERING INFORMATION

NAME	PART NO.	Q'TY
(A) EJECT HEADER ASS'Y	10003526-XXXXX	1
(B) MATING RECEPTACLE	91931-31169	1

NAME	PART NO.	Q'TY
(A) EJECT HEADER ASS'Y	10003526-XXXXLF	1
(B) MATING RECEPTACLE	91931-31169LF	1

mat'l code		tolerance unless otherwise specified		CUSTOMER COPY				
rev.	ecn no.	dr	date	linear	±0.1	projection	title P.C.B LAYOUT	
A				angles				
dr		WENDY CHEN 03/27/02		unit	mm/inch	product family : PCMCIA		
enr		MINERVA WANG 03/27/02		size	dwg no.	code		
chr		YUWEN CHU 03/27/02		scale	A3	TWN		
appd		JENN TSAO 03/27/02		10003526		sheet 6 of 6		
sheet index	revision sheet							

Tous droits strictement reserves. Reproduction ou communication a des tiers int sous quelque forme que ce soit sans autorisation ecrite du proprietaire. Droits de reproduction BERG ELECTRONICS by

All rights strictly reserved. Reproduction or issue to third parties in any for whatever is not permitted without written authority from the proprietor. Copyright BERG ELECTRONICS by

