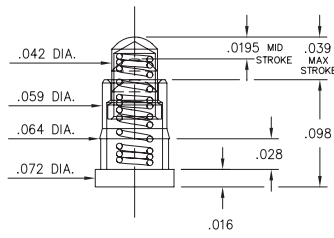
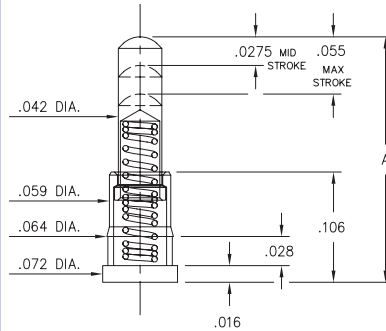


**0900-0**



**0900-0-00-00-00-00-11-0**  
Short stroke, Surface mount  
Lowest profile

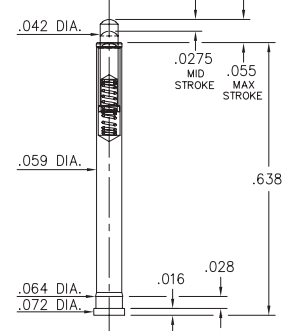
**0900-1⇒4**



**0900-X-00-00-00-00-11-0**  
Standard stroke, Surface mount  
Low profile

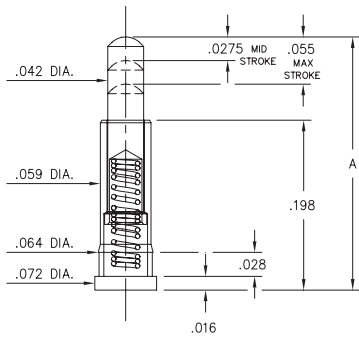
Basic Part Number	Length A
0900-1	.177
0900-2	.197
0900-3	.217
0900-4	.236

**0905**



**0905-0-00-00-00-00-11-0**  
Standard stroke, Surface mount  
Highest Profile

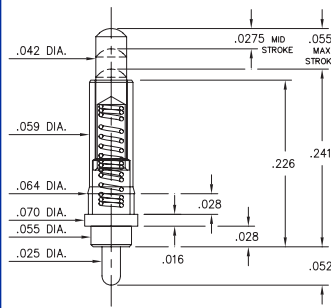
**0907-X**



**0907-X-15-20-75-14-11-0**  
Standard stroke, Surface mount  
High profile

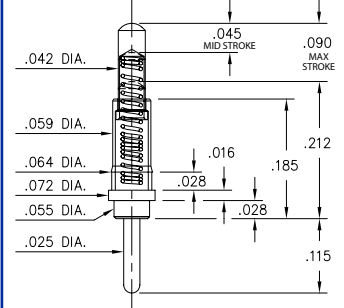
Basic Part Number	Length A
0907-0	.255
0907-1	.275
0907-2	.295
0907-3	.315
0907-4	.335
0907-5	.350
0907-6	.370
0907-7	.390
0907-8	.410
0907-9	.430

**0901**



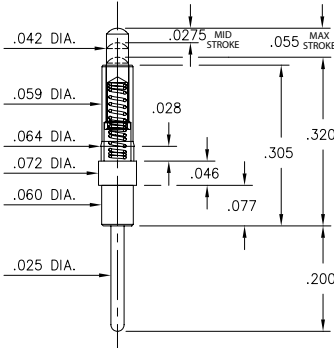
**0901-0-00-00-00-00-11-0**  
Standard stroke  
Solder mount in .027 min. mounting hole

**0914**



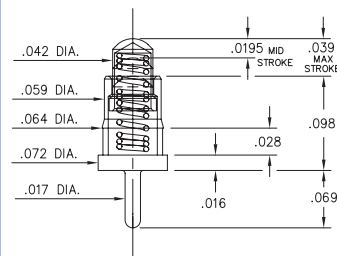
**0914-0-15-20-77-14-11-0**  
Long stroke.  
Solder mount in .027 min. mounting hole

**0922**



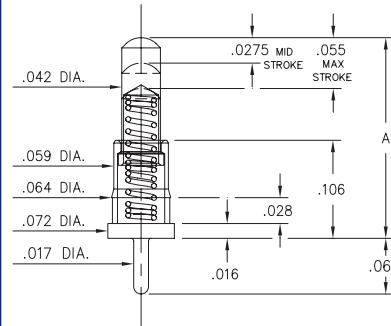
**0922-0-15-20-75-14-11-0**  
Standard stroke  
Solder mount in .027 min. mounting hole

**0906-0**



**0906-0-15-20-76-14-11-0**  
Short stroke  
Solder mount in .018 min. mounting hole

**0906-1⇒4**



**0906-X-15-20-75-14-11-0**  
Standard stroke  
Solder mount in .018 min. mounting hole

Basic Part Number	Length A
0906-1	.177
0906-2	.197
0906-3	.217
0906-4	.236

**SPECIFICATIONS**

**SLEEVE & PLUNGER MATERIAL:** Copper Alloy  
**SPRING MATERIAL:** Beryllium Copper  
**CURRENT RATING:** 2A continuous, 3A peak  
**CONTACT RESISTANCE:** 20mΩ max.  
**DURABILITY:** 1,000,000 cycles min.  
**DIMENSION IN INCHES**  
**TOLERANCES ON:** LENGTHS: ±.005  
 DIAMETERS: ±.002  
 ANGLES: ± 2°

**ORDER CODE: XXXX - X - 15 - 20 - 7X - 14 - 11 - 0**

**BASIC PART #** →  
**SLEEVE & PLUNGER FINISH:**  
 20 20μ" GOLD OVER NICKEL

**SPRING FINISH:**  
 14 10μ" GOLD OVER NICKEL

**SPRING**  
 75 Standard Stroke (.055):  
 76 Short Stroke (.039):  
 77 Long Stroke (.090):

{ 25 grams@min stroke  
 { 60 grams@mid stroke  
 { 95 grams@max stroke

