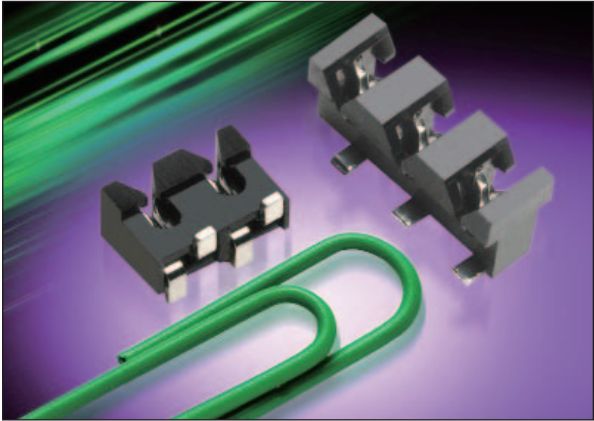


9175 Series

Wire to Board IDC Connector



The 9175 series from AVX offers customers the ability of connecting individual wires to a single row of contacts using IDC technology.

Available as a 2 or 3 pin connector it is both low profile and has a small PCB footprint. The connector is SMT assembled to the PCB prior to assembly of the wire.

Using a small application tool, the wires are then inserted into the contact slot. This process cuts the insulation and enables the individual conductors of the wire to form a homogeneous joint. The shape of the molding also forms a restraint to the wire when fully inserted in the contact. These connectors are supplied in tape and reel for easy pick and place. The wire options are 28 or 26 AWG solid or stranded wire.

APPLICATIONS

- PCB to PCB individual wire interconnect
- High volume and high speed assembly
- Device to PCB interconnect (coils, sensors, etc.)

FEATURES AND BENEFITS

- Small single row IDC
- Rated at 1 amp
- Uses both stranded and solid wire (26 or 28 AWG)
- Insulators are end to end stackable for higher pin counts
- Uses simple hand tool for higher volume applications

HOW TO ORDER

00
Prefix

9175
Series

002
Number of Ways
002 = 2
003 = 3

001
Wire Gauge Size

Code	Accepted Wire Gauge	Wire Insulation
001	28 Gauge Solid or Stranded 26 Gauge Solid or Stranded	Min \varnothing 0.70 Max \varnothing 1.00

006
Plating Option
006 = Pure Tin All Over

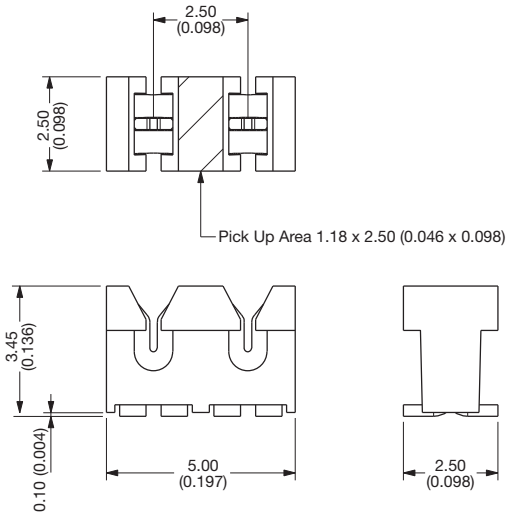


9175 Series



Wire to Board IDC Connector

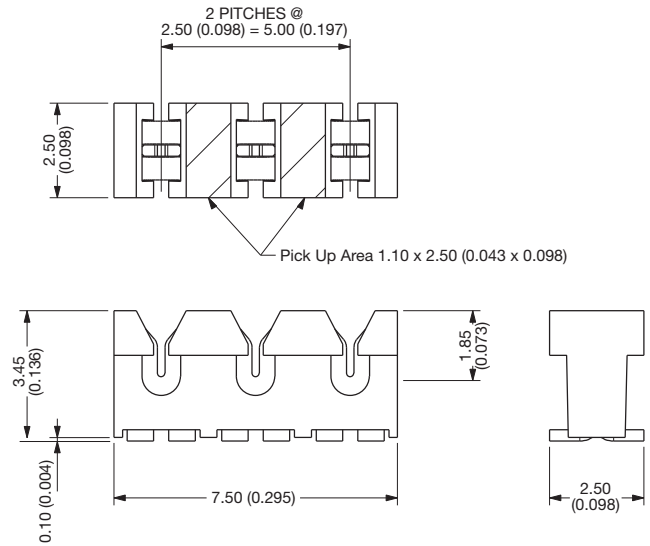
2 WAY IDC CONNECTOR



SMT PCB LAYOUT

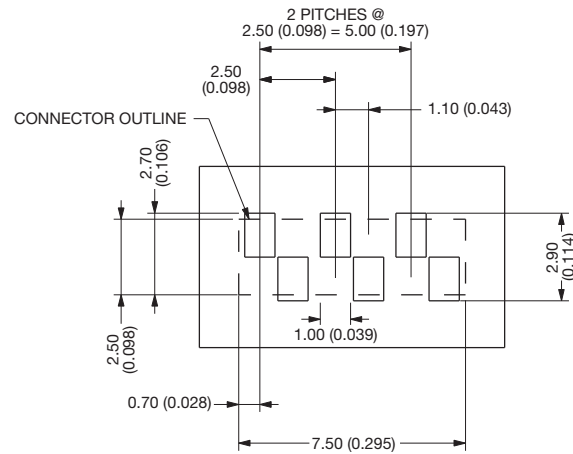
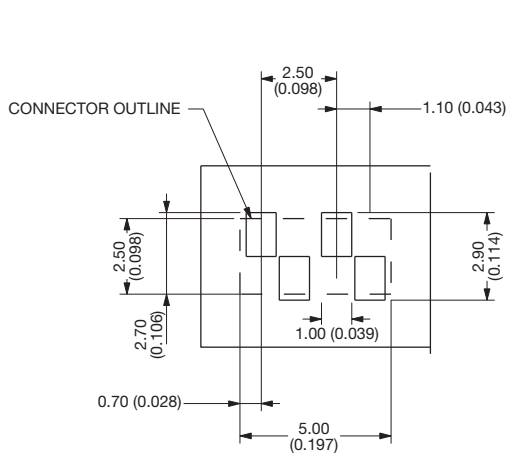
PURE TIN PADS

3 WAY IDC CONNECTOR

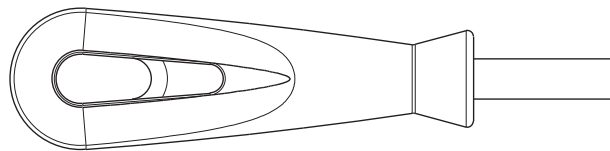


SMT PCB LAYOUT

PURE TIN PADS

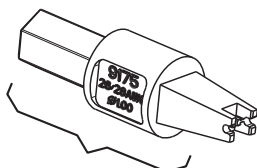


HAND INSERTION TOOLING



UNIVERSAL HANDLE

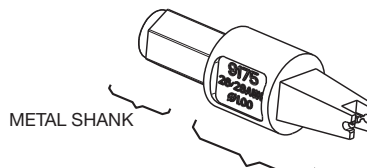
Details	Tool Part Number
6.35 A/F HEX BIT HOLDER	06 7000 7730 01 000



ALL METAL

HIGH PRODUCTION Metal

Max Insulation Dia	Tool Part Number
∅ 1.00	06 9175 7017 01 000

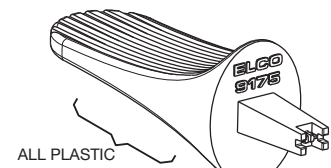


METAL SHANK

PLASTIC

MED PRODUCTION Metal/Plastic

Max Insulation Dia	Tool Part Number
∅ 1.00	06 9175 7016 01 000



ALL PLASTIC

LOW PRODUCTION Plastic

Max Insulation Dia	Tool Part Number
∅ 1.00	06 9175 7004 01 000

