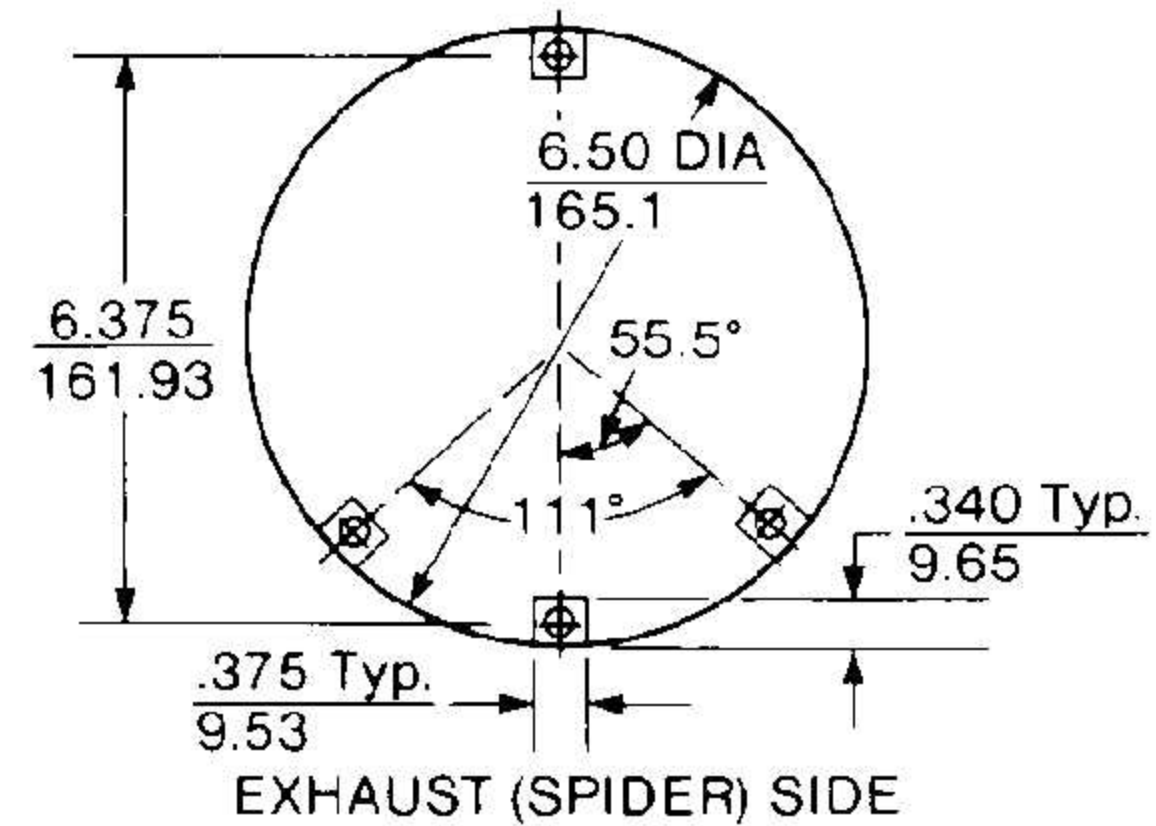
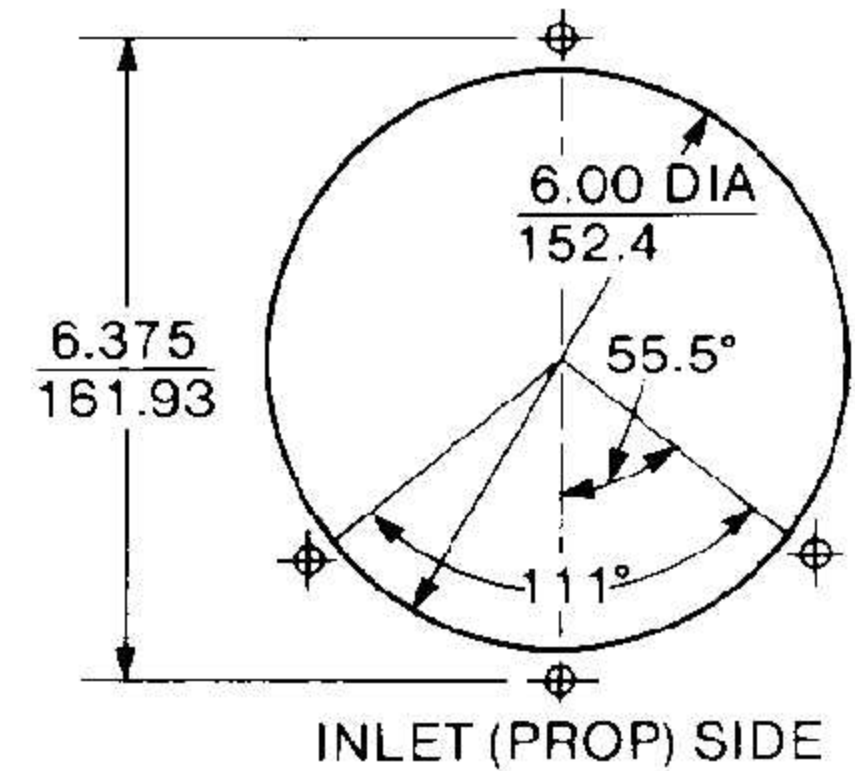


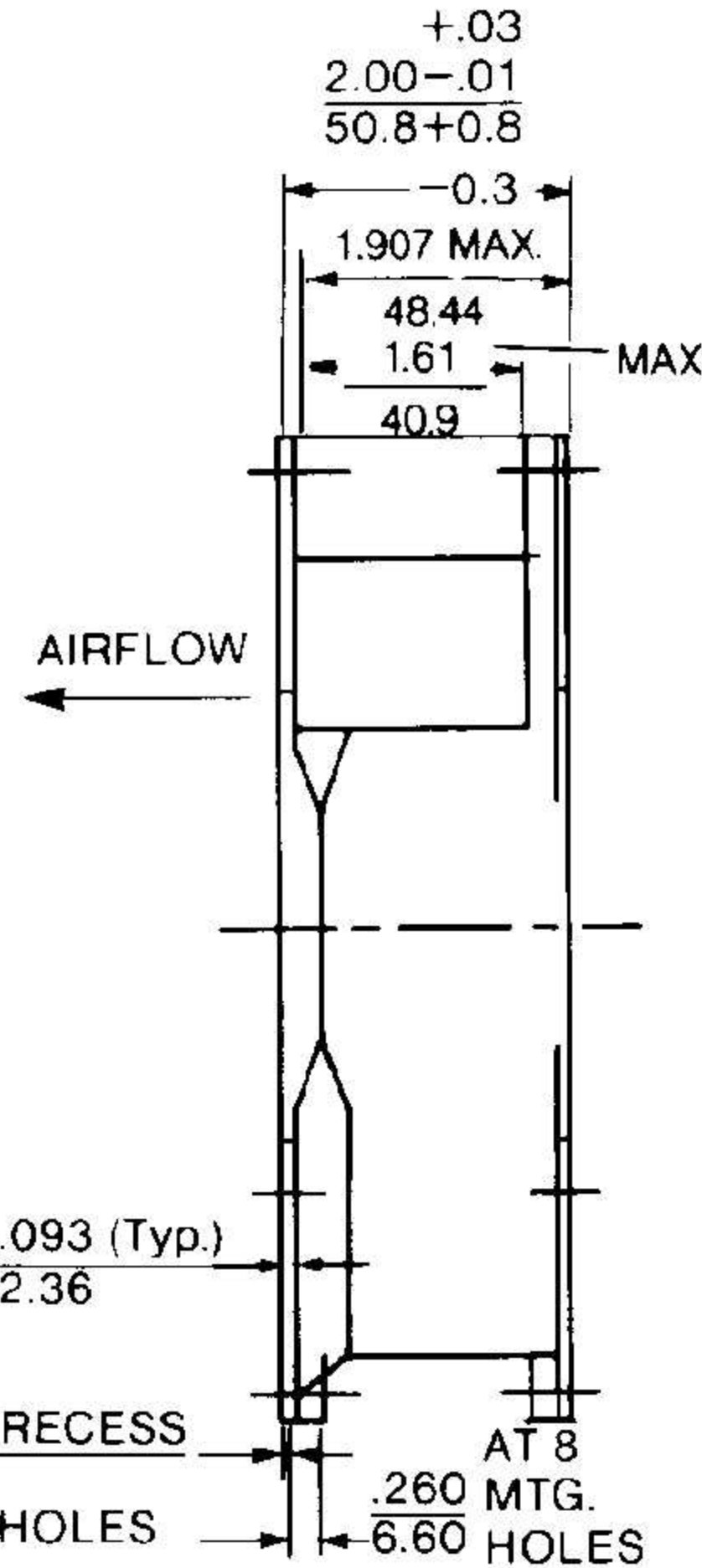
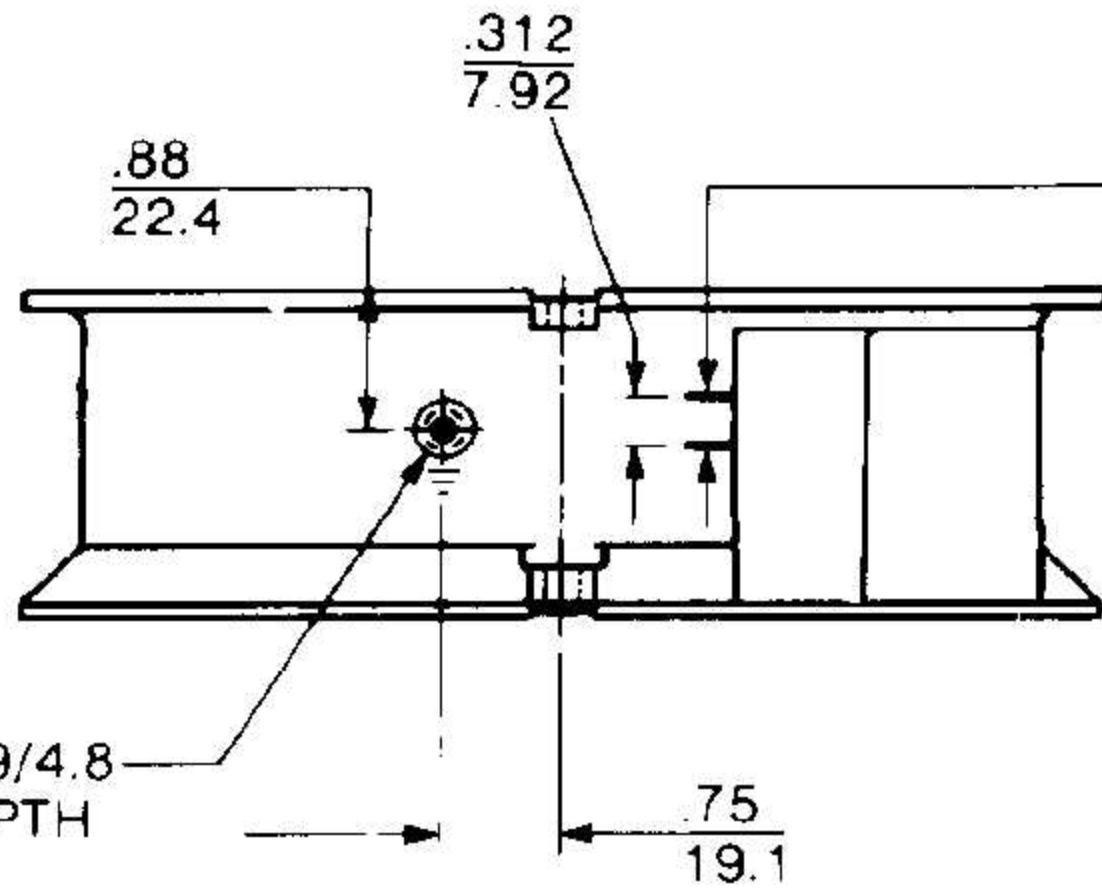
RECOMMENDED CUTOUTS



2 SOLDER TERMINALS

.33
8.4
LONG
.120±.002
3.05±.05
WIDE
.020±.001
0.51±.03
THICK

(WILL FIT PLUG AND CORD
#550440 OR #428056 OR AMP SERIES 110
TERMINALS)



.029±.005 RECESS AT 8
0.74±0.13 AT 8 MTG. HOLES
WILL ACCOMMODATE #477663
OR #477670 MOUNTING CLIPS FOR USE
WITH #6-32 MACHINE SCREW.

Specifications subject to change without notice.

DIMENSIONS: $\frac{\text{in}}{\text{mm}} \pm$
TOLERANCES: .xx= .03
 .08
 .xxx=.010
ANGULAR±1½° .25
(UNLESS NOTED)

