

Features

- 4,096 × 4,096 channel non-blocking switching at 8.192 or 16.384 Mb/s
- Per-channel variable or constant throughput delay
- Accept ST-BUS streams of 2.048Mb/s, 4.096Mb/s, 8.192Mb/s, or 16.384 Mb/s
- Split Rate mode allows mix of two bit rates and rate conversions
- Automatic frame offset delay measurement for ST-BUS input and output streams
- Per-stream frame delay offset programming
- Per-channel high impedance output control
- Bit Error Monitoring on selected ST-BUS input and output channels.
- Per-channel message mode
- Connection memory block programming
- IEEE-1149.1 (JTAG) Test Port
- 3.3V local I/O with 5V tolerant inputs and TTL compatible outputs

Applications

- Medium and large switching platforms
- CTI application
- Voice/data multiplexer
- Digital cross connects
- WAN access system
- Wireless base stations

DS5197

ISSUE 2

June 1999

Ordering Information	
MT90826AL	160 Pin MQFP
MT90826AG	160 Pin PBGA
-40 to +85 C	

Description

The MT90826 Quad Digital Switch has a non-blocking switch capacity of 4,096 x 4,096 channels at a serial bit rate of 8.192Mb/s or 16.384 Mb/s, 2,048 x 2,048 channels at 4.096Mb/s and 1024 x 1024 channels at 2.048Mb/s. The device has many features that are programmable on a per stream or per channel basis, including message mode, input offset delay and high impedance output control.

The per stream input and output delay control is particularly useful for managing large multi-chip switches with a distributed backplane.

Operating in Split Rate mode allows for switching between two groups of bit rate streams.

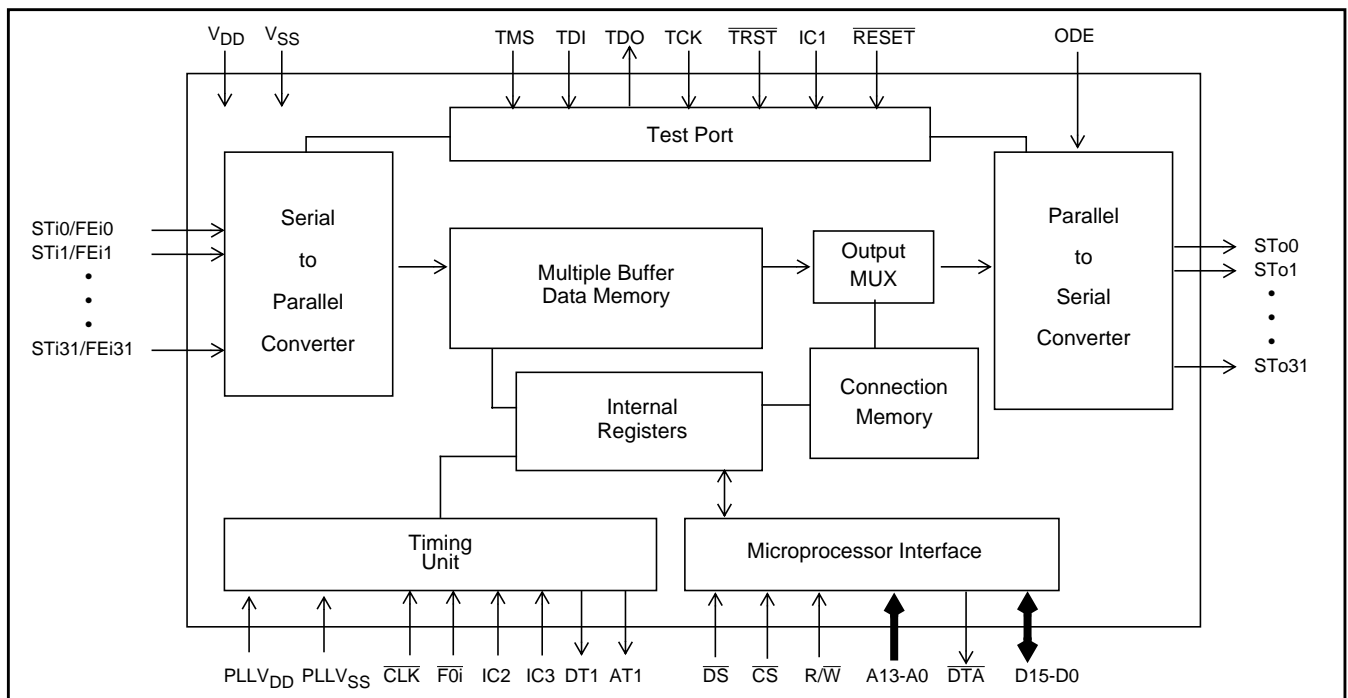


Figure 1 - Functional Block Diagram

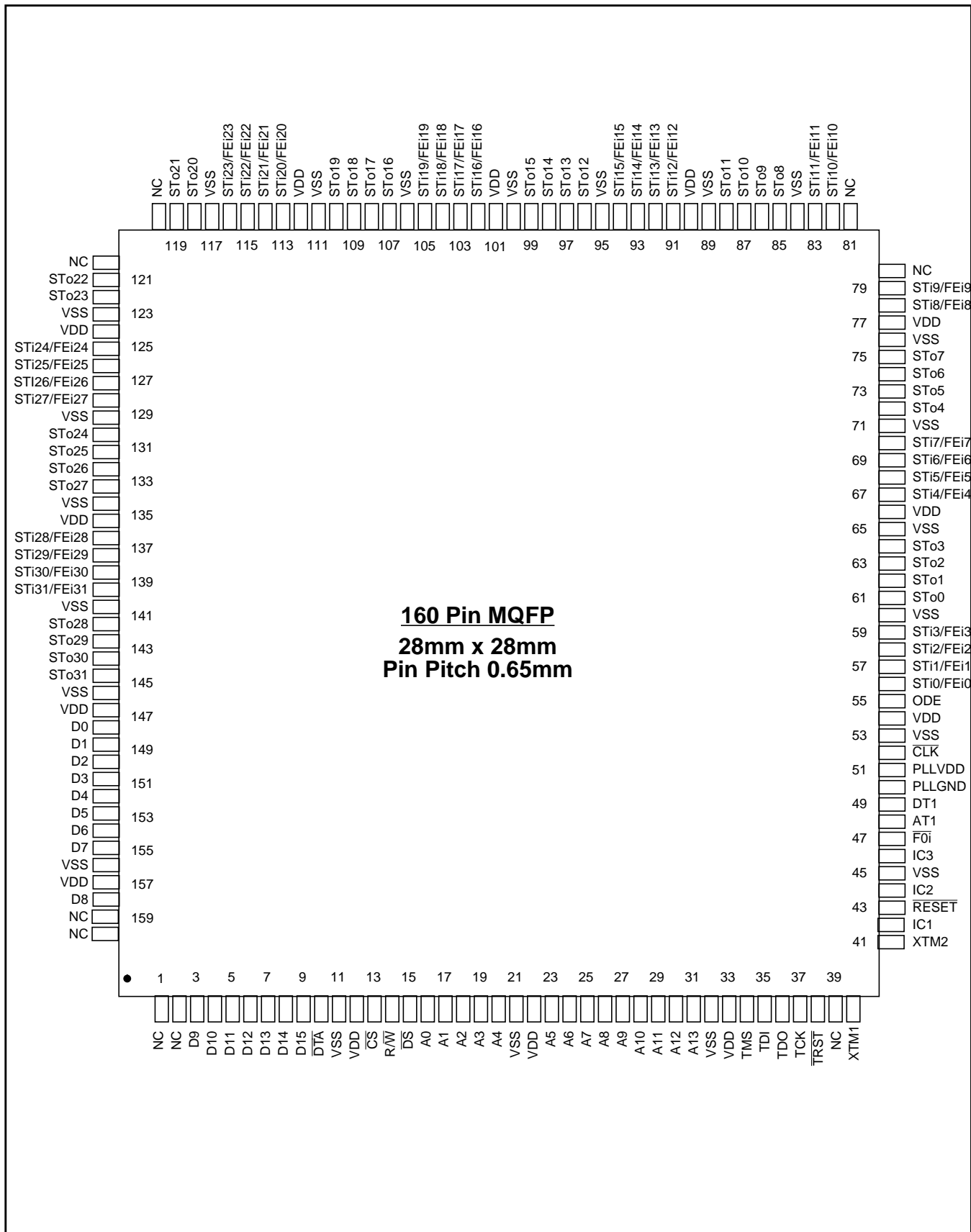


Figure 2 - 160-Pin MQFP Pin Connections

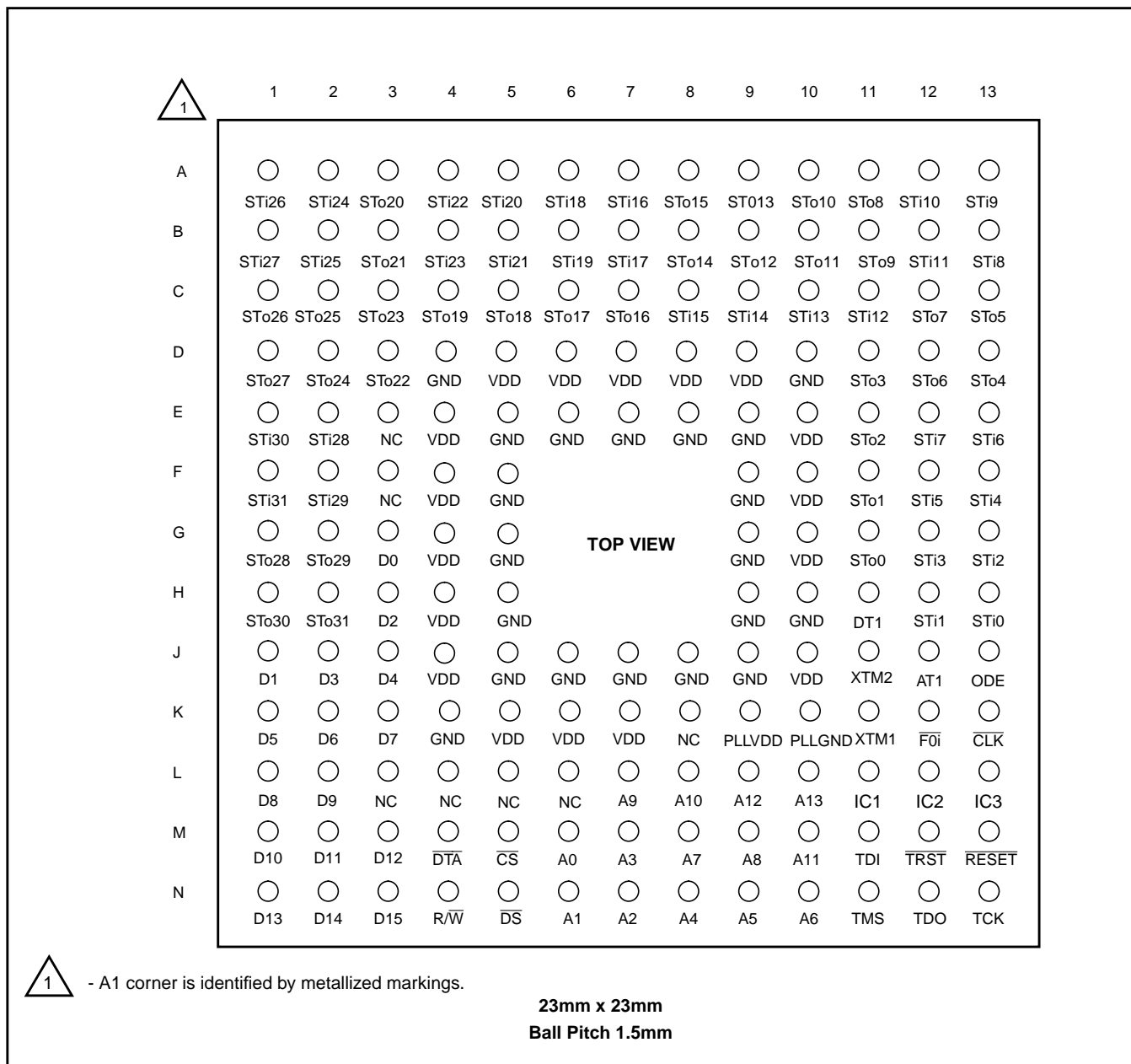


Figure 3 - 160-Pin PBGA Pin Connections

Pin Description

Pin # MQFP	Pin # PBGA	Name	Description
12,22,33,54, 66,77,90,101, 112,125,136, 147,157	D5,D6,D7,D8,D9, E4,E10,F4, F10,G4,G10, H4,J4,J10,K5, K6,K7	V _{DD}	+3.3 Volt Power Supply
11,21,32,45, 53,60,65,71, 76,84,89,95, 100,106,111, 117,124,130, 135,141,146, 156	D4,D10,E5,E6,E7, , E8,E9,F5,F9,G5, G9,H5,H9,H10,J5, , J6,J7,J8,J9,K4	V _{SS}	Ground

Pin Description (continued)

Pin # MQFP	Pin # PBGA	Name	Description
34	N11	TMS	Test Mode Select (3.3V Input with Internal pull-up): JTAG signal that controls the state transitions of the TAP controller. This pin is pulled high by an internal pull-up when not driven.
35	M11	TDI	Test Serial Data In (3.3V Input with Internal pull-up): JTAG serial test instructions and data are shifted in on this pin. This pin is pulled high by an internal pull-up when not driven.
36	N12	TDO	Test Serial Data Out (3.3V Output): JTAG serial data is output on this pin on the falling edge of TCK. This pin is held in high impedance state when JTAG scan is not enabled.
37	N13	TCK	Test Clock (5V Tolerant Input): Provides the clock to the JTAG test logic.
38	M12	$\overline{\text{TRST}}$	Test Reset (3.3V Input with internal pull-up): Asynchronously initializes the JTAG TAP controller by putting it in the Test-Logic-Reset state. This pin is pulled by an internal pull-up when not driven. This pin should be pulsed low on power-up, or held low, to ensure that the device is in the normal functional mode.
40	K11	XTM1	PLL Test Access 1 (3.3V Input): Use for PLL testing only. No connect for normal operation.
41	J11	XTM2	PLL Test Access 1 (3.3V Input): Use for PLL testing only. No connect for normal operation.
42	L11	IC1	Internal Connection 1 (3.3V Input with internal pull-down): Connect to V_{SS} for normal operation.
43	M13	$\overline{\text{RESET}}$	Device Reset (5V Tolerant Input): This input (active LOW) puts the device in its reset state which clears the device internal counters and registers.
44	L12	IC2	Internal Connection 2 (3.3V Input with internal pull-down): Connect to V_{SS} for normal operation. When IC3 pin is tied to 3.3V, this pin is used as the PLL bypass clock input for PLL testing only.
46	L13	IC3	Internal Connection 3 (3.3V Input with internal pull-down): Connect to V_{SS} for normal operation. When this pin is tied to 3.3V, it enables the PLL bypass mode for PLL testing only.
47	K12	$\overline{\text{F0i}}$	Master Frame Pulse (5V Tolerant Input): This input accepts a 60ns wide negative frame pulse.
48	J12	AT1	Analog Test Access (Bidirectional): Use for PLL testing only. No connect for normal operation.
49	H11	DT1	Digital Test Access Output (Output): Use for PLL testing only. No connect for normal operation.
50	K10	PLLGND	Phase Lock Loop Ground.
51	K9	PLLVDD	Phase Lock Loop Power Supply: 3.3V

Pin Description (continued)

Pin # MQFP	Pin # PBGA	Name	Description
52	K13	$\overline{\text{CLK}}$	Master Clock (5V Tolerant Input): Serial clock for shifting data in/out on the serial streams. This pin accepts a clock frequency of 8.192MHz or 16.384 MHz. The CPLL bit in the control register determines the usage of the clock frequency. See Table 6 for details.
55	J13	ODE	Output Drive Enable (5V Tolerant Input): This is the output-enable control pin for the ST0 to ST31 serial outputs. See Table 2 for details.
56 57 58 59 67-70 78,79 82,83 91-94 102-105 113-116 126-129 137-140	H13 H12 G13 G12 F13,F12,E13,E12 B13,A13 A12,B12 C11,C10,C9,C8 A7,B7,A6,B6 A5,B5,A4,B4 A2,B2,A1,B1 E2,F2,E1,F1	STi0/FEi0, STi1/FEi1 STi2/FEi2 STi3/FEi3 STi4-7/FEi4-7 STi8-9/FEi8-9 STi10-11/FEi10-11 STi12-15/FEi12-15 STi16-19/FEi16-19 STi20-23/FEi20-23 STi24-27/FEi24-27 STi28-31/FEi28-31	Serial Input Streams 0 to 31 and Frame Evaluation Inputs 0 to 31 (5V Tolerant Inputs): Serial data input streams. These streams may have data rates of 2.048, 4.096, 8.192 or 16.384 Mb/s, depending upon the value programmed at bits DR0 - DR2 in the control register. In the frame evaluation mode, they are used as the frame evaluation inputs.
61-64 72-75 85-88 96-99 107-110 118,119 122,123 131-134 142-145	G11,F11,E11,D11 D13,C13,D12,C12 A11,B11,A10,B10 B9,A9,B8,A8 C7,C6,C5,C4 A3,B3 D3,C3 D2,C2,C1,D1 G1,G2,H1,H2	STo0 - 3 STo4 - 7 STo8 - 11 STo12 - 15 STo16 - 19 STo20, STo21 STo22, STo23 STo24 - 27 STo28 - 31	ST-BUS Output 0 to 31 (Three-state Outputs). Serial data output streams. These streams may have data rates of 2.048, 4.096, 8.192, or 16.384 Mb/s, depending upon the value programmed at bits DR0 - DR2 in the control register.
148-153 154,155 158 3-7 8,9	G3,J1,H3,J2,J3,K1, K2,K3 L1 L2,M1,M2,M3,N1, N2,N3	D0 - 5, D6,D7 D8 D9 - 13 D14,D15	Data Bus 0 -15 (5V Tolerant I/O): These pins form the 16-bit data bus of the microprocessor port.
10	M4	$\overline{\text{DTA}}$	Data Transfer Acknowledgment (Three-state Output): This output pulses low from tristate to indicate that a databus transfer is complete. A pull-up resistor is required to hold a HIGH level when the pin is tristated.
15	N5	$\overline{\text{DS}}$	Data Strobe (5V Tolerant Input): This active low input works in conjunction with CS to enable the read and write operations.
14	N4	$\overline{\text{R/W}}$	Read/Write (5V Tolerant Input): This input controls the direction of the data bus lines (D0-D15) during a microprocessor access.
13	M5	$\overline{\text{CS}}$	Chip Select (5V Tolerant Input): Active low input used by a microprocessor to activate the microprocessor port.
16-20 23-31	M6,N6,N7,M7,N8 N9,N10,M8,M9,L7 L8,M10,L9,A10	A0 - A4 A5-A13	Address 0 - 13 (5V Tolerant Input): These lines provide the A0 - A13 address lines when accessing the internal registers or memories.
1,2,39,80,81,120, 121,159,160	E3,F3,K8, L3,L4,L5,L6	NC	No Connect

Device Overview

The MT90826 Quad Digital Switch is capable of switching up to 4,096 × 4,096 channels. The MT90826 is designed to switch 64 kbit/s PCM or N x 64k bit/s data. The device maintains frame integrity in data applications and minimum throughput delay for voice applications on a per channel basis.

The serial input streams of the MT90826 can have a bit rate of 2.048, 4.096, 8.192 or 16.384 Mbit/s and are arranged in 125µs wide frames, which contain 32, 64,128 or 256 channels, respectively. The data rates on input and output streams match. All inputs and outputs may be programmed to 2.048, 4.096 or 8.192 Mb/s. STi0-15 and STo0-15 may be set to 16.384 Mb/s. Combinations of two bit rates, N and 2N are provided. See Table 1.

By using Mitel’s message mode capability, the microprocessor can access input and output timeslots on a per channel basis. This feature is useful for transferring control and status information for external circuits or other ST-BUS devices.

The frame offset calibration function allows users to measure the frame offset delay for streams STi0 to STi31. The offset calibration is activated by a frame evaluation bit in the frame evaluation register. The evaluation result is stored in the frame evaluation registers and can be used to program the input offset delay for individual streams using internal frame input offset registers.

The microport interface is compatible with Motorola non-multiplexed buses. Connection memory locations may be directly written to or read from; data memory locations may be directly read from. A \overline{DTA} signal is provided to hold the bus until the asynchronous microport operation is queued into the device. For applications that require no wait states, indirect reading and writing may be used. Intermediary registers are directly programmed with the write data and address, or read address. The data in the intermediary registers is internally transferred synchronous with the operation of the internal state machines. Completion of the operation is indicated by a status register flag.

Functional Description

A functional Block Diagram of the MT90826 is shown in Figure 1.

Data and Connection Memory

For all data rates, the received serial data is converted to parallel format by internal serial-to-parallel converters and stored sequentially in the data memory. Depending upon the selected operation programmed in the control register, the usable data memory may be as large as 4,096 bytes. The sequential addressing of the data memory is performed by an internal counter, which is reset by the input 8 kHz frame pulse (\overline{FOi}) to mark the frame boundaries of the incoming serial data streams.

Data to be output on the serial streams may come from either the data memory or connection memory.

Serial Interface Mode	Input Stream	Input Data Rate	Output Stream	Output Data Rate
8 Mb/s	STi0-31	8 Mb/s	STo0-31	8 Mb/s
16 Mb/s	STi0-15	16 Mb/s	STo0-15	16 Mb/s
4 Mb/s and 8 Mb/s	STi0-15	4 Mbs/	STo0-15	4 Mb/s
	STi15-31	8 Mb/s	STo16-31	8 Mb/s
16 Mb/s and 8 Mb/s	STi0-11	16 Mb/s	STo0-11	16 Mb/s
	STi12-19	8 Mb/s	STo12-19	8 Mb/s
4 Mb/s	STi0-31	4 Mb/s	STo0-31	4 Mb/s
2 Mb/s and 4 Mb/s	STi0-15	2 Mb/s	STo0-15	2 Mb/s
	STi16-31	4 Mb/s	STo16-31	4 Mb/s
2 Mb/s	STi0-31	2 Mb/s	STo0-31	2 Mb/s

Table 1 - Stream Usage and External Clock Rates

Locations in the connection memory are associated with particular ST-BUS output channels. When a channel is due to be transmitted on an ST-BUS output, the data for this channel can be switched either from an ST-BUS input in connection mode, or from the lower half of the connection memory in message mode. Data destined for a particular channel on a serial output stream is read from the data memory or connection memory during the previous channel timeslot. This allows enough time for memory access and parallel-to-serial conversion.

Connection and Message Modes

In the connection mode, the addresses of the input source data for all output channels are stored in the connection memory. The connection memory is mapped in such a way that each location corresponds to an output channel on the output streams. For details on the use of the source address data (CAB and SAB bits), see Table 18. Once the source address bits are programmed by the microprocessor, the contents of the data memory at the selected address are transferred to the parallel-to-serial converters and then onto an ST-BUS output stream.

By having several output channels connected to the same input source channel, data can be broadcasted from one input channel to several output channels.

In message mode, the microprocessor writes data to the connection memory locations corresponding to the output stream and channel number. The lower half (8 least significant bits) of the connection memory content is transferred directly to the parallel-to-serial converter. This data will be output on the ST-BUS streams in every frame until the data is changed by the microprocessor.

The three most significant bits of the connection memory controls the following for an output channel: message or connection mode, constant or variable delay mode, enables/tristate the ST-BUS output

drivers and bit error test pattern enable. If an output channel is set to a high-impedance state by setting the OE bit to zero in the connection memory, the ST-BUS output will be in a high impedance state for the duration of that channel. In addition to the per-channel control, all channels on the ST-BUS outputs can be placed in a high impedance state by pulling the ODE input pin low and programming the output stand by (OSB) bit in the control register to low. This action overrides the individual per-channel programming by the connection memory bits. See Table 2 for detail.

The connection memory data can be accessed via the microprocessor interface through the D0 to D15 pins. The addressing of the device internal registers, data and connection memories is performed through the address input pins and the Memory Select (MS) bit of the control register.

Clock Timing Requirements

The master clock ($\overline{\text{CLK}}$) frequency must be either at 8.192 or 16.384MHz for serial data rate of 2.048, 4.096, 8.192 and 16.384Mb/s; see Table 6 for the selections of the master clock frequency.

Switching Configurations

The MT90826 maximum non-blocking switching configurations is determined by the data rates selected for the serial inputs and outputs. The switching configuration is selected by three DR bits in the control register. See Table 5 and Table 6.

8Mb/s mode (DR2=0, DR1=0, DR0=0)

When the 8Mb/s mode is selected, the device is configured with 32-input/32-output data streams each having 128 64Kbit/s channels. This mode allows a maximum non-blocking capacity of 4,096 x 4,096 channels. Table 1 summarizes the switching configurations and the relationship between different serial data rates and the master clock frequencies.

ODE pin	OSB bit in Control register	OE bit in Connection Memory	ST-BUS Output Driver
0	0	X	High-Z
X	X	0	Per Channel High-Z
1	0	1	Enable
0	1	1	Enable
1	1	1	Enable

Table 2 - Output High Impedance Control

16Mb/s mode (DR2=0, DR1=0, DR0 =1)

When the 16Mb/s mode is selected, the device is configured with 16-input/16-output data streams each having 256 64Kbit/s channels. This mode allows a maximum non-blocking capacity of 4,096 x 4,096 channels.

4Mb/s and 8Mb/s mode (DR2=0, DR1=1, DR0=0)

When the 4Mb/s and 8Mb/s mode is selected, the device is configured with 32-input/32-output data streams. STi0-15/STo0-15 have a data rate of 4Mb/s and STi16-31/STo16-31 have a data rate of 8Mb/s. This mode allows a maximum non-blocking capacity of 3,072 x 3,072 channels.

16Mb/s and 8Mb/s mode (DR2=0, DR1=1, DR0=1)

When the 16Mb/s and 8Mb/s mode is selected, the device is configured with 20-input/20-output data streams. STi0-11/STo0-11 have a data rate of 16Mb/s and STi12-19/STo12-19 have a data rate of 8Mb/s. This mode allows a maximum non-blocking capacity of 4,096 x 4,096 channels.

4Mb/s mode (DR2=1, DR1=0, DR0=0)

When the 4Mb/s mode is selected, the device is configured with 32-input/32-output data streams each having 64 64Kbit/s channels. This mode allows a maximum non-blocking capacity of 2,048 x 2,048 channels.

2Mb/s and 4Mb/s mode (DR2=1, DR1=0, DR0=1)

When the 2Mb/s and 4Mb/s mode is selected, the device is configured with 32-input/32-output data streams. STi0-15/STo0-15 have a data rate of 2Mb/s and STi16-31/STo16-31 have a data rate of 4Mb/s. This mode allows a maximum non-blocking capacity of 1,536 x 1,536 channels.

2Mb/s mode (DR2=1, DR1=1, DR0 =0)

When the 2Mb/s mode is selected, the device is configured with 32-input/32-output data streams each having 32 64Kbit/s channels. This mode allows a maximum non-blocking capacity of 1,024 x 1,024 channels.

Serial Input Frame Alignment Evaluation

The MT90826 provides the frame evaluation inputs, FEi0 to FEi31, to determine different data input delays with respect to the frame pulse \overline{FOi} . By using the frame evaluation input select bits (FE0 to FE4) of the frame alignment register (FAR), users can select one of the thirty-two frame evaluation inputs for the frame alignment measurement.

The internal master clock, which has a fixed relationship with the \overline{CLK} and \overline{FOi} depending upon the mode of operation, is used as the reference timing signal to determine the input frame delays. See Figure 4 for the signal alignments between the internal and the external master clocks.

A measurement cycle is started by setting the start frame evaluation (SFE) bit low for at least one frame. Then the evaluation starts when the SFE bit in the control register is changed from low to high. Two frames later, the complete frame evaluation (CFE) bit of the frame alignment register changes from low to high to signal that a valid offset measurement is ready to be read from bits 0 to 9 of the FAR register. The SFE bit must be set to zero before a new measurement cycle started.

The falling edge of the frame measurement signal (FEi) is evaluated against the falling edge of the frame pulse (\overline{FOi}). See Table 7 for the description of the frame alignment register.

Input Frame Offset Selection

Input frame offset selection allows the channel alignment of individual input streams, which operate at 4.096Mb/s, 8.192Mb/s or 16.384Mb/s, to be shifted against the input frame pulse (\overline{FOi}). The input offset selection is not available for streams operated at 2.048Mb/s. This feature is useful in compensating for variable path delays caused by serial backplanes of variable lengths, which may be implemented in large centralized and distributed switching systems.

Each input stream has its own delay offset value programmed by the input delay offset registers. Each delay offset register can control 4 input streams. There are eight delay offset registers (DOS0 to DOS7) to control 32 input streams. Possible adjustment can range up to +4.5 internal master clock periods forward with resolution of 1/2 internal master clock period. See Table 8 and Table 9 for frame input delay offset programming.

Output Advance Offset Selection

The MT90826 allows users to advance individual output streams up to 45ns with a resolution of 15ns when the device is in 8Mb/s, 16Mb/s, 4 and 8 Mb/s or 16 and 8 Mb/s mode. The output delay adjustment is useful in compensating for variable output delays caused by various output loading conditions. The frame output offset registers (FOR0 & FOR3) control the output offset delays for each output streams via the programming of the OFn bits.

See Table 10 and Table 11 for the frame output offset programming.

Memory Block Programming

The MT90826 provides users with the capability of initializing the entire connection memory block in two frames. Bits 13 to 15 of every connection memory location will be programmed with the pattern stored in bits 13 to 15 of the control register.

The block programming mode is enabled by setting the memory block program (MBP) bit of the control register high. When the block programming enable (BPE) bit of the control register is set to high, the block programming data will be loaded into the bits 13 to 15 of every connection memory location. The other connection memory bits (bit 0 to 12) are loaded with zeros. When the memory block programming is complete, the device resets the BPE bit to zero.

Bit Error Monitoring

The MT90826 allows users to perform bit error monitoring by sending a pseudo random pattern to a selected ST-BUS output channel and receiving the pattern from a selected ST-BUS input channel. The pseudo random pattern is internally generated by the device with the polynomial of $2^{15} - 1$.

Users can select the pseudo random pattern to be presented on a ST-BUS channel by programming the TM0 and TM1 bits in the connection memory. When TM0 and TM1 bits are high, the pseudo random pattern is output to the selected ST-BUS output channel. The pseudo random pattern is then received by a ST-BUS input channel which is selected using the BSA and BCA bits in the bit error rate input register (BISR). An internal bit error counter keeps track of the error counts which is then stored in the bit error count register (BECR).

The bit error test is enabled and disabled by the SBER bit in the control register. Setting the bit from zero to one initiates the bit error test and enables the internal bit error counter. When the bit is programmed from one to zero, the internal bit error counter transfers the error counts to the bit error count register.

In the control register, a zero to one transition of the CBER bit resets the bit error count register and the internal bit error counter.

Delay Through the MT90826

The switching of information from the input serial streams to the output serial streams results in a throughput delay. The device can be programmed to perform timeslot interchange functions with different throughput delay capabilities on the per-channel basis. For voice application, select variable throughput delay to ensure minimum delay between input and output data. In wideband data applications, select constant throughput delay to maintain the frame integrity of the information through the switch.

The delay through the device varies according to the type of throughput delay selected by the TM bits in the connection memory.

Variable Delay Mode (TM1=0, TM0=0)

The delay in this mode is dependent only on the combination of source and destination channels and is independent of input and output streams.

Constant Delay Mode (TM1=1, TM0=0)

In this mode, frame integrity is maintained in all switching configurations by making use of a multiple data memory buffer.

Microprocessor Interface

The MT90826 provides a parallel microprocessor interface for non-multiplexed bus structures. This interface is compatible with Motorola non-multiplexed buses. The required microprocessor signals are the 16-bit data bus (D0-D15), 14-bit address bus (A0-A13) and 4 control lines (\overline{CS} , \overline{DS} , R/W and \overline{DTA}). See Figure 14 for Motorola non-multiplexed microport timing.

The MT90826 microport provides access to the internal registers, connection and data memories. All locations provide read/write access except for the data memory, DRR and BECR registers which are read only.

For data memory read operations, two consecutive microprocessor cycles are required. The read address (A0-A13) should remain the same for the two consecutive read cycles. The data memory content from the first read cycle should be ignored. The correct data memory content will be presented to the data bus (D0-D15) on the second read cycle.

A13	A12	A11	A10	A9	A8	A7	A6	A5	A4	A3	A2	A1	A0	Location
0	0	0	0	0	0	0	0	0	0	0	0	0	0	Control Register, CR
0	0	0	0	0	0	0	0	0	0	0	0	0	1	Frame Alignment Register, FAR
0	0	0	0	0	0	0	0	0	0	0	0	1	0	Input Offset Selection Register 0, DOS0
0	0	0	0	0	0	0	0	0	0	0	0	1	1	Input Offset Selection Register 1, DOS1
0	0	0	0	0	0	0	0	0	0	0	1	0	0	Input Offset Selection Register 2, DOS2
0	0	0	0	0	0	0	0	0	0	0	1	0	1	Input Offset Selection Register 3, DOS3
0	0	0	0	0	0	0	0	0	0	0	1	1	0	Input Offset Selection Register 4, DOS4
0	0	0	0	0	0	0	0	0	0	0	1	1	1	Input Offset Selection Register 5, DOS5
0	0	0	0	0	0	0	0	0	0	1	0	0	0	Input Offset Selection Register 6, DOS6
0	0	0	0	0	0	0	0	0	0	1	0	0	1	Input Offset Selection Register 7, DOS7
0	0	0	0	0	0	0	0	0	0	1	0	1	0	Frame Output Offset Register, FOR0
0	0	0	0	0	0	0	0	0	0	1	0	1	1	Frame Output Offset Register, FOR1
0	0	0	0	0	0	0	0	0	0	1	1	0	0	Frame Output Offset Register, FOR2
0	0	0	0	0	0	0	0	0	0	1	1	0	1	Frame Output Offset Register, FOR3
0	0	0	0	0	0	0	0	0	0	1	1	1	0	Unused
0	0	0	0	0	0	0	0	0	0	1	1	1	1	Unused
0	0	0	0	0	0	0	0	0	1	0	0	0	0	Unused
0	0	0	0	0	0	0	0	0	1	0	0	0	1	Bit Error Input Selection Register, BISR
0	0	0	0	0	0	0	0	0	1	0	0	1	0	Bit Error Count Register, BECR

Table 3 - Address Map for Registers (A13 = 0)

A13	Stream Address (ST0-31)						Channel Address (Ch0-255)									Channel Location
	A12	A11	A10	A9	A8	Stream Location	A7	A6	A5	A4	A3	A2	A1	A0		
1	0	0	0	0	0	Stream 0	0	0	0	0	0	0	0	0	Ch 0	
1	0	0	0	0	1	Stream 1	0	0	0	0	0	0	0	1	Ch 1	
1	0	0	0	1	0	Stream 2	
1	0	0	0	1	1	Stream 3	
1	0	0	1	0	0	Stream 4	0	0	0	1	1	1	1	0	Ch 30	
1	0	0	1	0	1	Stream 5	0	0	0	1	1	1	1	1	Ch 31 (Note 2)	
1	0	0	1	1	0	Stream 6	0	0	1	0	0	0	0	0	Ch 32	
1	0	0	1	1	1	Stream 7	0	0	1	0	0	0	0	1	Ch 33	
1	0	1	0	0	0	Stream 8	
.	
.	0	0	1	1	1	1	1	0	Ch 62	
.	0	0	1	1	1	1	1	1	Ch 63 (Note 3)	
1	1	0	1	1	0	Stream 22	0	1	0	0	0	0	0	0	Ch 64	
1	1	0	1	1	1	Stream 23	0	1	0	0	0	0	0	1	Ch 65	
1	1	1	0	0	0	Stream 24	
1	1	1	0	0	1	Stream 25	0	1	1	1	1	1	1	0	Ch 126	
1	1	1	0	1	0	Stream 26	0	1	1	1	1	1	1	1	Ch 127 (Note 4)	
1	1	1	0	1	1	Stream 27	1	0	0	0	0	0	0	0	Ch 128	
1	1	1	1	0	0	Stream 28	1	0	0	0	0	0	0	1	Ch 129	
1	1	1	1	0	1	Stream 29	
1	1	1	1	1	0	Stream 30	1	1	1	1	1	1	1	0	Ch 254	
1	1	1	1	1	1	Stream 31	1	1	1	1	1	1	1	1	Ch 255 (Note 5)	

1. Bit A13 must be high for access to data and connection memory positions. Bit A13 must be low for access to registers.
2. Channels 0 to 31 are used when serial stream is at 2Mb/s.
3. Channels 0 to 63 are used when serial stream is at 4Mb/s
4. Channels 0 to 127 are used when serial stream is at 8Mb/s
5. Channels 0 to 255 are used when serial stream is at 16Mb/s

Table 4 - Address Map for Memory Locations (A13 = 1)

Memory Mapping

The address bus on the microprocessor interface selects the internal registers and memories of the MT90826. If the A13 address input is low, then the registers are addressed by A12 to A0 according to Table 3.

If the A13 is high, the remaining address input lines are used to select location in the data or connection memory depending upon MS bit in the control register. For data memory reads, the serial inputs are selected. For connection memory writes, the serial outputs are selected. The destination stream address bits and channel address bits are defined by A12 to A8 and A7 to A0 respectively. See Table 4 for the memory address mapping.

The control register controls all the major functions of the device. It selects the internal memory locations that specify the input and output channels selected for switching and should be programmed immediately after system power-up to establish the desired switching configuration as explained in the Frame Alignment Timing & Switching Configurations sections.

The data in the control register consists of the block programming bits (BPD0-2), the block programming enable bit (BPE), the memory block programming bit (MBP), the memory select bits (MS), the start frame evaluation bit (SFE), the output stand by bit (OSB), the wide frame pulse control bit (WFP) and the data rate selection bits (DR0-2). See Table 5 for the description of the control register bits.

Connection Memory Control

The connection memory controls the switching configuration of the device. Locations in the connection memory are associated with particular STo output streams.

The TM0 and TM1 bits of each connection memory location allows the selection of the variable throughput delay mode, the constant throughput delay mode, the message mode or the bit error test mode for all STo channels.

When the variable or constant throughput delay mode is selected, (TM1=0/1, TM0=0), the contents of the stream address bit (SAB) and the channel address bit (CAB) of the connection memory defines the source information (stream and channel) of the timeslot that will be switched to the STo streams.

When the message mode is selected, (TM1=0, TM0=1), only the lower half byte (8 least significant bits) of the connection memory is transferred to the associated STo output channel.

When the bit error test mode is selected, (TM1=1, TM0=1), the pseudo random pattern will be output on the associated STo output channel.

See Table 17 for the description of the connection memory bits.

\overline{DTA} Data Transfer Acknowledgment Pin

The \overline{DTA} pin is driven LOW by internal logic, to indicate to the CPU that a data bus transfer is complete. When the read or write cycle ends, this pin changes to the high-impedance state.

Initialization of the MT90826

During power up, the \overline{TRST} pin should be pulsed low, or held low continuously, to ensure that the MT90826 is in the normal functional mode. A 5K pull-down resistor can be connected to the \overline{TRST} pin so that the device will not enter the JTAG test mode during power up.

After power up, the contents of the connection memory can be in any state. The ODE pin should be held low after power up to keep all serial outputs in a high impedance state until the microprocessor has initialized the switching matrix. This procedure prevents two serial outputs from driving the same stream simultaneously.

During the microprocessor initialization routine, the microprocessor should program the desired active paths through the switch. Users can also consider using the memory block programming feature to quickly initialize the OE, TM0 and TM1 bits in the connection memory. When this process is complete, the microprocessor controlling the matrices can either bring the ODE pin high or enable the OSB bit in control register to relinquish the high impedance state control.

Read/Write Address: 0000 _H ,															
Reset Value: 0000 _H .															
15	14	13	12	11	10	9	8	7	6	5	4	3	2	1	0
BPD2	BPD1	BPD0	0	CPLL	CBER	SBER	SFE	0	BPE	MBP	MS	OSB	DR2	DR1	DR0

Bit	Name	Description																								
15-13	BPD2-0	Block Programming Data. These bits carry the value to be loaded into the connection memory block whenever the memory block programming feature is activated. After the MBP bit is set to 1 and the BPE bit is set to 1, the contents of the bits BPD2- 0 are loaded into bit 15 to bit 13 of the connection memory. Bit 12 to bit 0 of the connection memory are set to 0.																								
12	Unused	Must be zero for normal operation.																								
11	CPLL	PLL Input Frequency Select. When zero, the $\overline{\text{CLK}}$ input is 16.384MHz. When 1, the $\overline{\text{CLK}}$ input is 8.192MHz or 16.384MHz. See Table 6 for the usage of the clock frequency.																								
10	CBER	Clear Bit Error Rate Register. A zero to one transition in this bit resets the internal bit error counter and the bit error count register to zero.																								
9	SBER	Start Bit Error Rate Test. A zero to one transition in this bit starts the bit error rate test. The bit error test result is kept in the bit error count register. A one to zero transition stops the bit error rate test and the internal bit error counter.																								
8	SFE	Start Frame Evaluation. A zero to one transition in this bit starts the frame evaluation procedure. When the CFE bit in the frame alignment (FAR) register changes from zero to one, the evaluation procedure stops. To start another frame evaluation cycle, set this bit to zero.																								
7	Unused	Must be zero for normal operation.																								
6	BPE	Begin Block programming Enable. A zero to one transition of this bit enables the memory block programming function. The BPE and BPD2-0 bits have to be defined in the same write operation. Once the BPE bit is set high, the device requires two frames to complete the block programming. After the programming function has finished, the BPE bit returns to zero to indicate the operation is completed. When the BPE = 1, the BPE or MBP can be set to 0 to abort the programming operation. When BPE = 1, the other bits in the control register must not be changed for two frames to ensure proper operation.																								
5	MBP	Memory Block Program. When 1, the connection memory block programming feature is ready to program Bit13 to Bit15 of the connection memory. When 0, feature is disabled.																								
4	MS	Memory Select. When 0, connection memory is selected for read or write operations. When 1, the data memory is selected for read operations and connection memory is selected for write operations. (No microprocessor write operation is allowed for the data memory.) For data memory read operations, two consecutive microprocessor cycles are required. The read address should remain the same for the two consecutive read cycles. The data memory content from the first read cycle should be ignored. The correct data memory content will be presented to the data bus on the second read cycle.																								
3	OSB	Output Stand By. This bit controls the device output drivers. <table border="1"> <thead> <tr> <th>OSB bit</th> <th>ODE pin</th> <th>OE bit</th> <th>STo0 - 31</th> </tr> </thead> <tbody> <tr> <td>0</td> <td>1</td> <td>1</td> <td>Enable</td> </tr> <tr> <td>1</td> <td>0</td> <td>1</td> <td>Enable</td> </tr> <tr> <td>1</td> <td>1</td> <td>1</td> <td>Enable</td> </tr> <tr> <td>0</td> <td>0</td> <td>X</td> <td>High impedance state</td> </tr> <tr> <td>X</td> <td>X</td> <td>0</td> <td>Per-channel high impedance</td> </tr> </tbody> </table>	OSB bit	ODE pin	OE bit	STo0 - 31	0	1	1	Enable	1	0	1	Enable	1	1	1	Enable	0	0	X	High impedance state	X	X	0	Per-channel high impedance
OSB bit	ODE pin	OE bit	STo0 - 31																							
0	1	1	Enable																							
1	0	1	Enable																							
1	1	1	Enable																							
0	0	X	High impedance state																							
X	X	0	Per-channel high impedance																							
2 - 0	DR2-0	Data Rate Select. Input/Output data rate selection. See next table (Table 6) for detailed programming.																								

Table 5 - Control Register Bits

DR2	DR1	DR0	Serial Interface Mode	CLK (CPLL=0)	CLK (CPLL=1)
0	0	0	8 Mb/s	16.384MHz	16.384MHz
0	0	1	16 Mb/s		
0	1	0	4 and 8 Mb/s		
0	1	1	16 and 8 Mb/s		
1	0	0	4 Mb/s	16.384MHz	8.192MHz
1	0	1	2 and 4 Mb/s		
1	1	0	2 Mb/s	16.384MHz	8.192MHz

Table 6 - Serial Data Rate Selections and External Clock Rates

Read/Write Address: 0001 _H , Reset Value: 0000 _H .																							
15	14	13	12	11	10	9	8	7	6	5	4	3	2	1	0								
FE4	FE3	FE2	FE1	FE0	CFE	FD9	FD8	FD7	FD6	FD5	FD4	FD3	FD2	FD1	FD0								
Bit	Name	Description																					
15-11	FE4-0	Frame Evaluation Input Select. The binary value expressed in these bits refers to the frame evaluation inputs, FEi0 to FEi31.																					
10	CFE	Complete Frame Evaluation. When CFE = 1, the frame evaluation is completed and FD9 to FD0 bits contains a valid frame alignment offset. This bit is reset to zero, when SFE bit in the control register is changed from 1 to 0.																					
9	FD9	Frame Delay Bit 9. The falling edge of FEi input is sampled during the internal master clock high phase (FD9 = 1) or during the low phase (FD9 = 0). This bit allows the measurement resolution to 1/2 internal master clock cycle. See Figure 4 for clock signal alignment. <table border="0" style="margin-left: 40px;"> <tr> <td><u>Internal Master Clock</u></td> <td><u>Operation Mode</u></td> </tr> <tr> <td>C8i</td> <td>2Mb/s</td> </tr> <tr> <td>C16i</td> <td>4Mb/s, 2&4Mb/s</td> </tr> <tr> <td>C32i</td> <td>8Mb/s, 16Mb/s, 4&8Mb/s, 16&8Mb/s</td> </tr> </table>														<u>Internal Master Clock</u>	<u>Operation Mode</u>	C8i	2Mb/s	C16i	4Mb/s, 2&4Mb/s	C32i	8Mb/s, 16Mb/s, 4&8Mb/s, 16&8Mb/s
<u>Internal Master Clock</u>	<u>Operation Mode</u>																						
C8i	2Mb/s																						
C16i	4Mb/s, 2&4Mb/s																						
C32i	8Mb/s, 16Mb/s, 4&8Mb/s, 16&8Mb/s																						
8-0	FD8-0	Frame Delay Bits. The binary value expressed in these bits refers to the measured input offset value. These bits are reset to zero when the SFE bit of the control register changes from 1 to 0. (FD8 = MSB, FD0 = LSB)																					

Table 7 - Frame Alignment (FAR) Register Bits

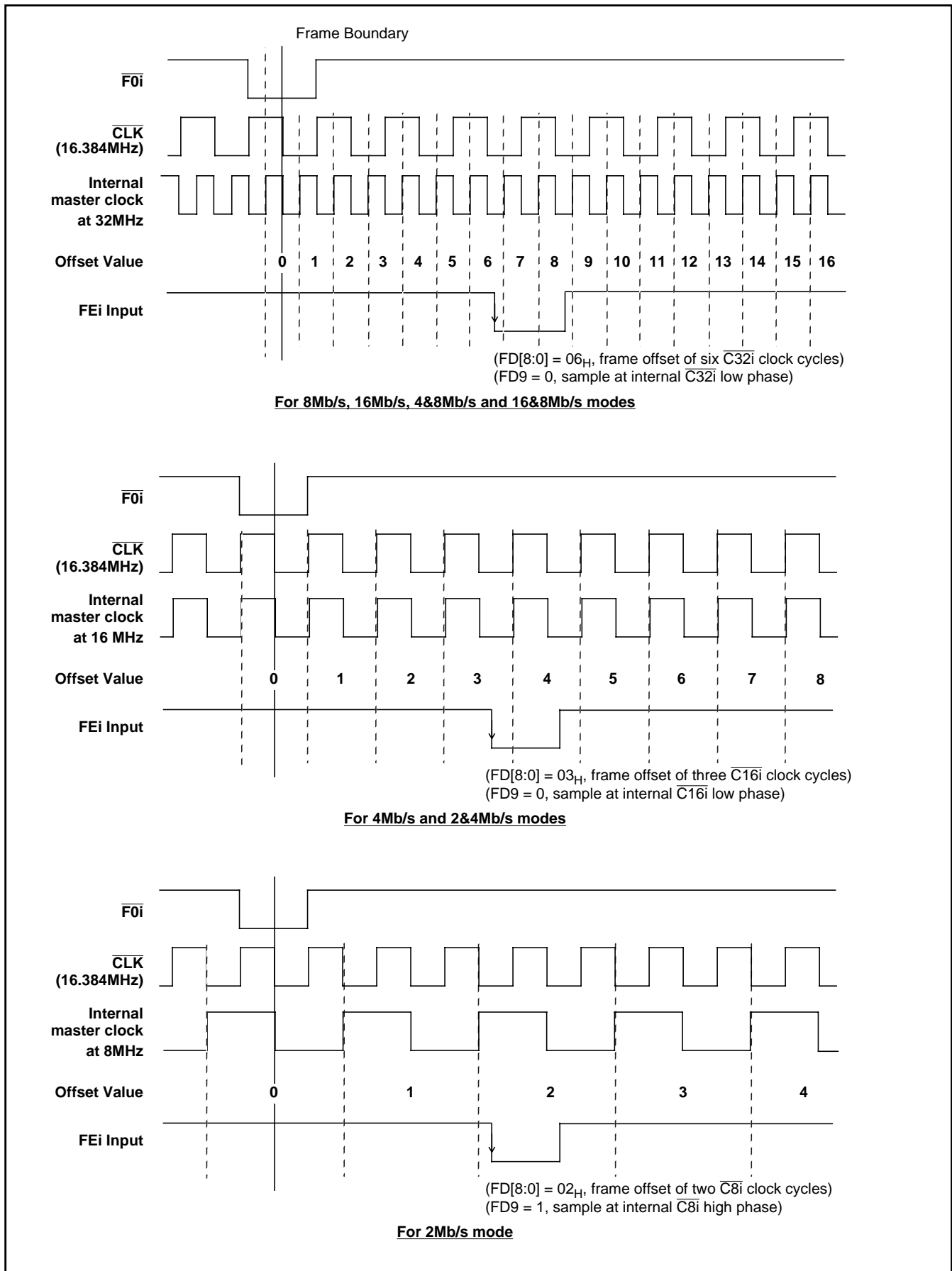
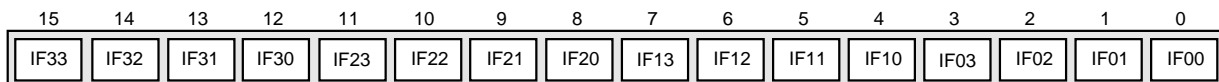
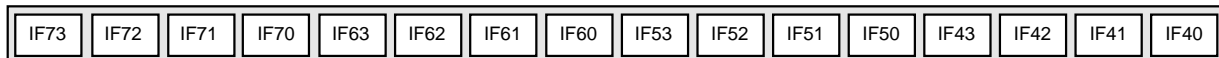


Figure 4 - Example for Frame Alignment Measurement

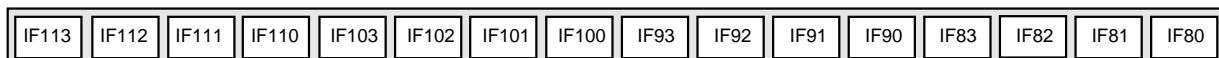
Read/Write Address: 02_H for DOS0 register, 03_H for DOS1 register,
 04_H for DOS2 register, 05_H for DOS3 register,
 06_H for DOS4 register, 07_H for DOS5 register,
 08_H for DOS6 register, 09_H for DOS7 register,
 Reset value: 0000_H for all DOS registers.



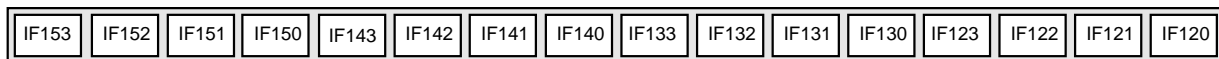
DOS0 register



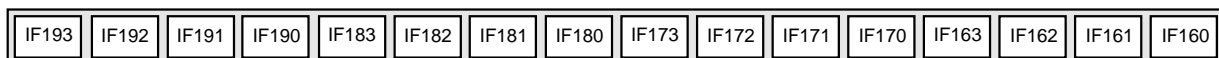
DOS1 register



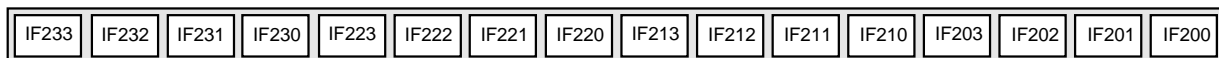
DOS2 register



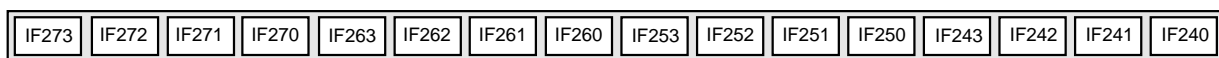
DOS3 register



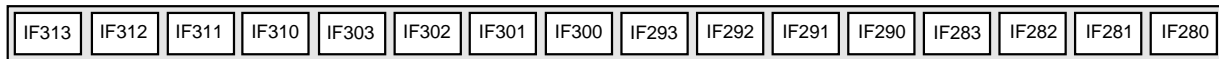
DOS4 register



DOS5 register



DOS6 register



DOS7 register

Name (Note 1)	Description
IFn3-0	<p>Input Offset Bits 3,2,1 & 0. These four bits define how long the serial interface receiver takes to recognize and store bit 0 from the ST_i pin: i.e., to start a new frame. The input frame offset can be selected to +2.25 clock periods from the point where the external frame pulse input signal is applied to the \overline{FO}_i inputs of the device. See Table 9.</p> <p>When the ST_i pin has a stream rate of 2.048Mb/s, the input offset can not be adjusted and the input offset bits have to be set to zero.</p>

Note 1: n denotes a ST_i stream number from 0 to 31.

Table 8 - Frame Delay Offset Register (DOS) Bits

Input Stream Offset	Measurement Result from Frame Delay Bits				Corresponding Input Offset Bits			
	FD9	FD2	FD1	FD0	IFn3	IFn2	IFn1	IFn0
No internal master clock shift (Default)	1	0	0	0	0	0	0	0
+ 1/4 internal master clock shift	0	0	0	0	0	0	0	1
+ 1/2 internal master clock shift	1	0	0	1	0	0	1	0
+ 3/4 internal master clock shift	0	0	0	1	0	0	1	1
+ 1.00 internal master clock shift	1	0	1	0	0	1	0	0
+ 1.25 internal master clock shift	0	0	1	0	0	1	0	1
+ 1.50 internal master clock shift	1	0	1	1	0	1	1	0
+ 1.75 internal master clock shift	0	0	1	1	0	1	1	1
+ 2.00 internal master clock shift	1	1	0	0	1	0	0	0
+ 2.25 internal master clock shift	0	1	0	0	1	0	0	1

Table 9 - Frame delay Bits (FD9, FD2-0) and Input Offset Bits (IFn3-0)

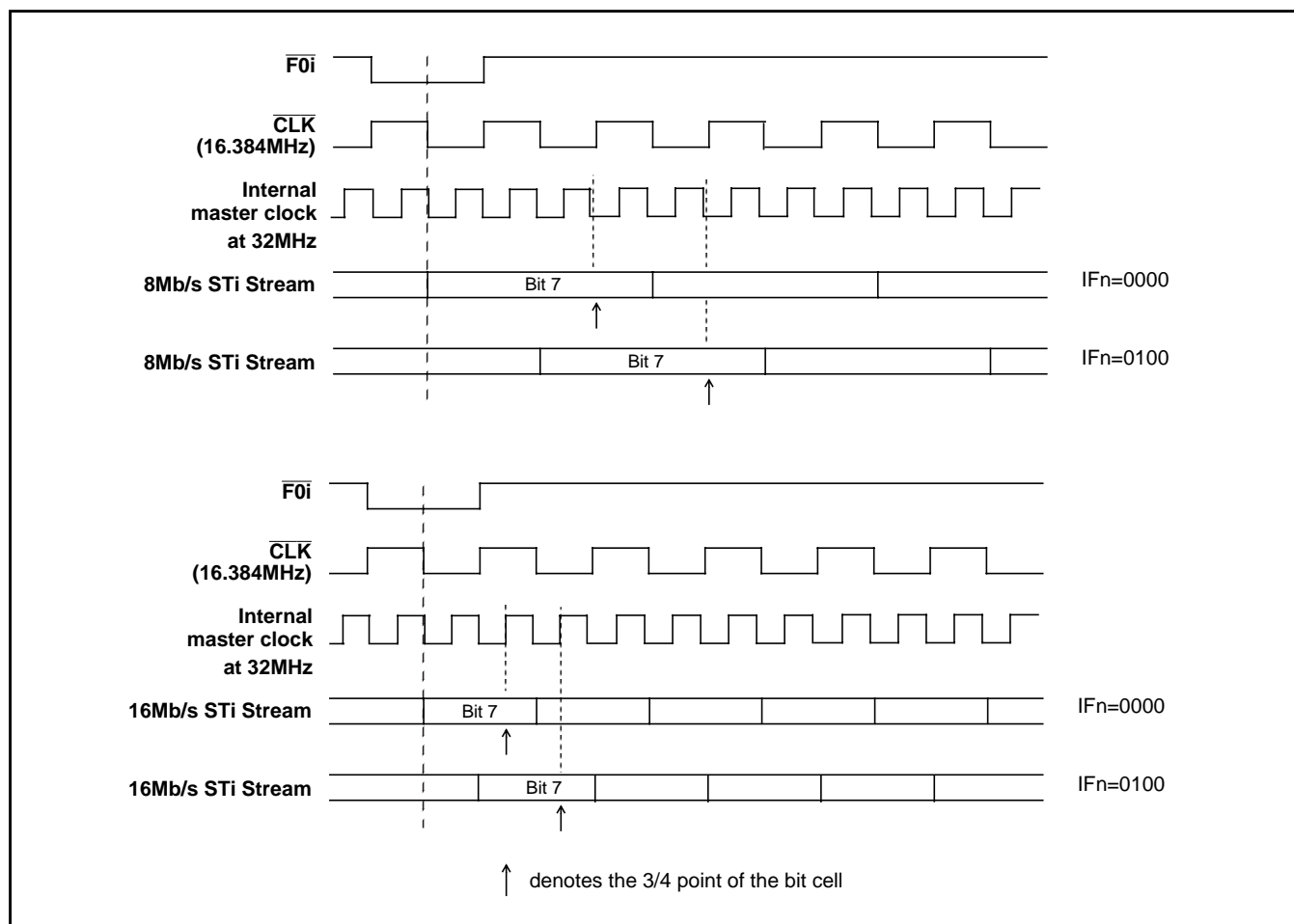


Figure 4 - Examples for Input Offset Delay Timing

Read/Write Address: 000A_H for FOR0 register,
000B_H for FOR1 register,
000C_H for FOR2 register,
000D_H for FOR3 register,
Reset value: 0000_H for all FOR registers.

15	14	13	12	11	10	9	8	7	6	5	4	3	2	1	0
OF71	OF70	OF61	OF60	OF51	OF50	OF41	OF40	OF31	OF30	OF21	OF20	OF11	OF10	OF01	OF00

FOR0 register

OF151	OF150	OF141	OF140	OF131	OF130	OF121	OF120	OF111	OF110	OF101	OF100	OF91	OF90	OF81	OF80
-------	-------	-------	-------	-------	-------	-------	-------	-------	-------	-------	-------	------	------	------	------

FOR1 register

OF231	OF230	OF221	OF220	OF211	OF210	OF201	OF200	OF191	OF190	OF181	OF180	OF171	OF170	OF161	OF160
-------	-------	-------	-------	-------	-------	-------	-------	-------	-------	-------	-------	-------	-------	-------	-------

FOR2 register

OF311	OF310	OF301	OF300	OF291	OF290	OF281	OF280	OF271	OF270	OF261	OF260	OF251	OF250	OF241	OF240
-------	-------	-------	-------	-------	-------	-------	-------	-------	-------	-------	-------	-------	-------	-------	-------

FOR3 register

Name (Note 1)	Description
OFn1, OFn0 (n = 0 to 31)	Output Offset Bits 1 - 0. These two bits define how soon the serial interface transmitter output the bit 0 from the STo pin. The output stream offset can be selected to -45ns from the point where the external frame pulse input signal is applied to the \overline{FOi} inputs of the device. See Table 11 and Figure 5

Table 10 - Frame Output Offset (FOR) Register Bits

Corresponding Output Offset Bits		Output Stream Offset for 8Mb/s, 16Mb/s, 4&8Mb/s and 16&8Mb/s modes (Not available for 2Mb/s, 4Mb/s and 2&4 Mb/s modes)
OFn1	OFn0	
0	0	0ns
0	1	-15ns
1	0	-30ns
1	1	-45ns

Table 11 - Output Offset Bits (FD9, FD2-0)

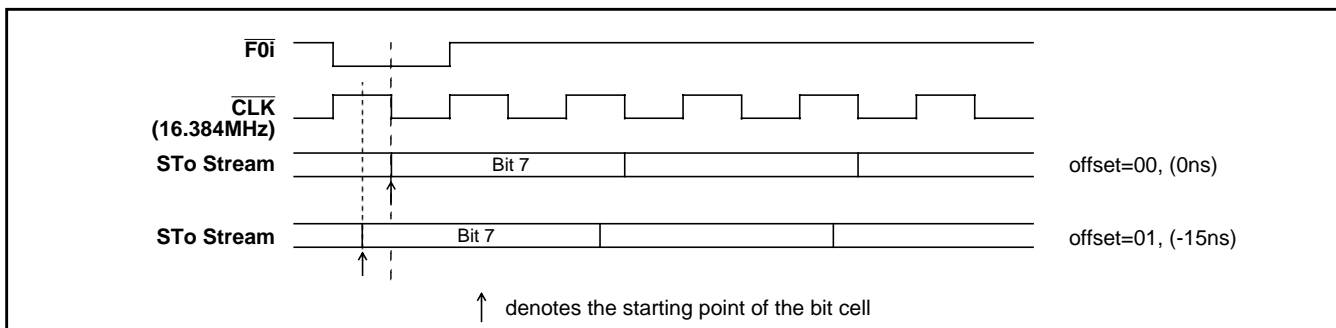


Figure 5 - Examples for Frame Output Offset Timing

Read/Write Address: 0011 _H for BISR register,															
Reset value: 0000 _H															
15	14	13	12	11	10	9	8	7	6	5	4	3	2	1	0
0	0	0	BSA4	BSA3	BSA2	BSA1	BSA0	BCA7	BCA6	BCA5	BCA4	BCA3	BCA2	BCA1	BCA0

Bit	Name	Description
12 - 8	BSA4 - BSA0	BER Input Stream Address Bits. The number expressed in binary notation on these bits refers to the input data stream which receives the pseudo random pattern.
7 - 0	BCA7 - BCA0	BER Input Channel Address Bits. The number expressed in binary notation on these bits refers to the input channel which receives the pseudo random pattern.

Table 12 - Bit Error Input Selection (BISR) Register Bits

Read Address: 0012 _H for BECR register,															
Reset value: 0000 _H															
15	14	13	12	11	10	9	8	7	6	5	4	3	2	1	0
BER15	BER14	BER13	BER12	BER11	BER10	BER9	BER8	BER7	BER6	BER5	BER4	WR3	WR2	WR1	WR0

Bit	Name	Description
15 - 0	BER15 - BER0	Bit Error Rate Count Bits. The number expressed in binary notation on these bits refers to the bit error counts. The register content can be cleared by programming the CBER bit in the control register from zero to one.

Table 13 - Bit Error Count (BECR) Register Bits

15	14	13	12	11	10	9	8	7	6	5	4	3	2	1	0															
TM1	TM0	OE	SAB ₄	SAB ₃	SAB ₂	SAB ₁	SAB ₀	CAB ₇	CAB ₆	CAB ₅	CAB ₄	CAB ₃	CAB ₂	CAB ₁	CAB ₀															
Bit	Name	Description																												
15-14	TM1-0	<p>Mode Select Bits.</p> <table style="width:100%; border-collapse: collapse;"> <thead> <tr> <th style="text-align: center;"><u>TM1</u></th><th style="text-align: center;"><u>TM0</u></th><th style="text-align: center;"><u>Mode Selection</u></th></tr> </thead> <tbody> <tr> <td style="text-align: center;">0</td><td style="text-align: center;">0</td><td>Variable Throughput Delay mode</td></tr> <tr> <td style="text-align: center;">1</td><td style="text-align: center;">0</td><td>Constant Throughput Delay mode</td></tr> <tr> <td style="text-align: center;">0</td><td style="text-align: center;">1</td><td>Message mode; the contents of the connection memory are output on the corresponding output channel and stream. Only the lower byte (bit 7 - bit 0) will be output to the ST-BUS output pins.</td></tr> <tr> <td style="text-align: center;">1</td><td style="text-align: center;">1</td><td>Bit Error Test mode; the pseudo random test pattern will be output on the output channel and stream associated with this location.</td></tr> </tbody> </table>														<u>TM1</u>	<u>TM0</u>	<u>Mode Selection</u>	0	0	Variable Throughput Delay mode	1	0	Constant Throughput Delay mode	0	1	Message mode; the contents of the connection memory are output on the corresponding output channel and stream. Only the lower byte (bit 7 - bit 0) will be output to the ST-BUS output pins.	1	1	Bit Error Test mode; the pseudo random test pattern will be output on the output channel and stream associated with this location.
<u>TM1</u>	<u>TM0</u>	<u>Mode Selection</u>																												
0	0	Variable Throughput Delay mode																												
1	0	Constant Throughput Delay mode																												
0	1	Message mode; the contents of the connection memory are output on the corresponding output channel and stream. Only the lower byte (bit 7 - bit 0) will be output to the ST-BUS output pins.																												
1	1	Bit Error Test mode; the pseudo random test pattern will be output on the output channel and stream associated with this location.																												
13	OE	<p>Output Enable. This bit enables the drivers of STo pins on a per-channel basis. When 1, the STo output driver functions normally. When 0, the STo output driver is in a high-impedance state.</p>																												
12-8	SAB4-0	<p>Source Stream Address Bits. The binary value is the number of the data stream for the source of the connection.</p>																												
7-0	CAB7-0	<p>Source Channel Address Bits. The binary value is the number of the channel for the source of the connection. When the message mode is enabled, these entire 8 bits are output on the output channel and stream associated with this location.</p>																												

Table 14 - Connection Memory Bits

Data Rate	SAB4 to SAB0 Bits Used to Determine the Source Stream of the connection	CAB Bits Used to Determine the Source Channel of the Connection
8 Mb/s	SAB4 to SAB0 (STi0 to STi31)	CAB6 to CAB0 (128 channel/frame)
16Mb/s	SAB3 to SAB0 (STi0 to STi15)	CAB7 to CAB0 (256 channel/frame)
4 Mb/s & 8 Mb/s	SAB4 to SAB0 (STi0 to STi31)	CAB6 to CAB0 (64 or 128 channel/frame)
16 Mb/s & 8 Mb/s	SAB3 to SAB0 (STi0 to STi19)	CAB7 to CAB0 (128 or 256 channel/frame)
4 Mb/s	SAB4 to SAB0 (STi0 to STi31)	CAB5 to CAB0 (64 channel/frame)
2 Mb/s & 4 Mb/s	SAB4 to SAB0 (STi0 to STi31)	CAB5 to CAB0 (32 or 64 channel/frame)
2 Mb/s	SAB4 to SAB0 (STi0 to STi31)	CAB4 to CAB0 (32 channel/frame)

Table 15 - SAB and CAB Bits Programming for various interface mode

JTAG Support

The MT90826 JTAG interface conforms to the Boundary-Scan standard IEEE1149.1. This standard specifies a design-for-testability technique called Boundary-Scan test (BST). The operation of the boundary-scan circuitry is controlled by an external test access port (TAP) Controller.

Test Access Port (TAP)

The Test Access Port (TAP) provides access to the many test functions of the MT90826. It consists of three input pins and one output pin. The following pins are from the TAP.

- **Test Clock Input (TCK)**
TCK provides the clock for the test logic. The TCK does not interfere with any on-chip clock and thus remain independent. The TCK permits shifting of test data into or out of the Boundary-Scan register cells concurrently with the operation of the device and without interfering with the on-chip logic.
- **Test Mode Select Input (TMS)**
The logic signals received at the TMS input are interpreted by the TAP Controller to control the test operations. The TMS signals are sampled at the rising edge of the TCK pulse. This pin is internally pulled to Vdd when it is not driven from an external source.
- **Test Data Input (TDI)**
Serial input data applied to this port is fed either into the instruction register or into a test data register, depending on the sequence previously applied to the TMS input. Both registers are described in a subsequent section. The received input data is sampled at the rising edge of TCK pulses. This pin is internally pulled to Vdd when it is not driven from an external source.
- **Test Data Output (TDO)**
Depending on the sequence previously applied to the TMS input, the contents of either the instruction register or data register are serially shifted out towards the TDO. The data out of the TDO is clocked on the falling edge of the TCK pulses. When no data is shifted through the boundary scan cells, the TDO driver is set to a high impedance state.

- **Test Reset ($\overline{\text{TRST}}$)**
Resets the JTAG scan structure. This pin is internally pulled to VDD.

Instruction Register

In accordance with the IEEE 1149.1 standard, the MT90863 uses public instructions. The JTAG Interface contains a two-bit instruction register. Instructions are serially loaded into the instruction register from the TDI when the TAP Controller is in its shifted-IR state. Subsequently, the instructions are decoded to achieve two basic functions: to select the test data register that may operate while the instruction is current, and to define the serial test data register path, which is used to shift data between TDI and DO during data register scanning.

Test Data Register

As specified in IEEE 1149.1, the MT90826 JTAG Interface contains three test data registers:

- **The Boundary-Scan register**
The Boundary-Scan register consists of a series of Boundary-Scan cells arranged to form a scan path around the boundary of the MT90863 core logic.
- **The Bypass Register**
The Bypass register is a single stage shift register that provides a one-bit path from TDI to its TDO.
- **The Device Identification Register**
The device identification register is a 32-bit register with the register contain of:

MSB LSB
 ↙ ↘
 0000 0000 1000 0010 0110 0001 0100 1011

The LSB bit in the device identification register is the first bit clock out.

The MT90826 scan register contains 165 bits.

Device Pin	Boundary Scan Bit 0 to Bit 165		
	Tri-state Control	Output Scan Cell	Input Scan Cell
\overline{FOi}			0
CLK			1
ODE			2
STi0			3
STi1			4
STi2			5
STi3			6
STo0	7	8	
STo1	9	10	
STo2	11	12	
STo3	13	14	
STi4			15
STi5			16
STi6			17
STi7			18
STo4	19	20	
STo5	21	22	
STo6	23	24	
STo7	25	26	
STi8			27
STi9			28
STi10			29
STi11			30
STo8	31	32	
STo9	33	34	
STo10	35	36	
STo11	37	38	
STi12			39
STi13			40
STi14			41
STi15			42
STo12	43	44	
STo13	45	46	
STo14	47	48	
STo15	49	50	
STi16			51
STi17			52
STi18			53
STi19			54
STo16	55	56	
STo17	57	58	
STo18	69	60	
STo19	61	62	
STi20			63
STi21			64
STi22			65
STi23			66
STo20	67	68	
STo21	69	70	
STo22	71	72	
STo23	73	74	
STi24			75
STi25			76
STi26			77
STi27			78
STo24	79	80	
STo25	81	82	
STo26	83	84	
STo27	85	86	

Device Pin	Boundary Scan Bit 0 to Bit 165		
	Tri-state Control	Output Scan Cell	Input Scan Cell
STi28			87
STi29			88
STi30			89
STi31			90
STo28	91	92	
STo29	93	94	
STo30	95	96	
STo31	97	98	
D0	99	100	101
D1	102	103	104
D2	105	106	107
D3	108	109	110
D4	111	112	113
D5	114	115	116
D6	117	118	119
D7	120	121	122
D8	123	124	125
D9	126	127	128
D10	129	130	131
D11	132	133	134
D12	135	136	137
D13	138	139	140
D14	141	142	143
D15	144	145	146
\overline{DTA}		147	
\overline{CS}			148
R/W			149
\overline{DS}			150
A0			151
A1			152
A2			153
A3			154
A4			155
A5			156
A6			157
A7			158
A8			159
A9			160
A10			161
A11			162
A12			163
A13			164
RESETb			165

Absolute Maximum Ratings*

	Parameter	Symbol	Min	Max	Units
1	Supply Voltage	V_{DD}	-0.3	5.0	V
2	Voltage on any 3.3V tolerant pin I/O (other than supply pins)	V_I	$V_{SS} - 0.3$	$V_{DD} + 0.3$	V
3	Voltage on any 5V tolerant pin I/O (other than supply pins)	V_I	$V_{SS} - 0.3$	5.0	V
4	Continuous Current at digital outputs	I_o		20	mA
5	Package power dissipation	P_D		1	W
6	Storage temperature	T_S	- 65	+125	°C

* Exceeding these values may cause permanent damage. Functional operation under these conditions is not implied

Recommended Operating Conditions - Voltages are with respect to ground (V_{SS}) unless otherwise stated.

	Characteristics	Sym	Min	Typ	Max	Units	Test Conditions
1	Operating Temperature	T_{OP}	-40		+85	°C	
2	Positive Supply	V_{DD}	3.0		3.6	V	
3	Input High Voltage	V_{IH}	$0.7V_{DD}$		V_{DD}	V	
4	Input High Voltage on 5V Tolerant Inputs	V_{IH}			5.5	V	
5	Input Low Voltage	V_{IL}	V_{SS}		$0.3V_{DD}$	V	

DC Electrical Characteristics - Voltages are with respect to ground (V_{SS}) unless otherwise stated.

		Characteristics	Sym	Min	Typ	Max	Units	Test Conditions
1	I N P U T S	Supply Current	I_{DD}		64	100	mA	Output unloaded
2		Input High Voltage	V_{IH}	$0.7V_{DD}$			V	
3		Input Low Voltage	V_{IL}			$0.3V_{DD}$	V	
4		Input Leakage (input pins)	I_{IL}			15	µA	$0 \leq V \leq V_{DD}$ See Note 1
		Input Leakage (with pull-up or pull-down)	I_{BL}			50	µA	
5		Input Pin Capacitance	C_I			10	pF	
6	O U T P U T S	Output High Voltage	V_{OH}	$0.8V_{DD}$			V	$I_{OH} = 10mA$
7		Output Low Voltage	V_{OL}			0.4	V	$I_{OL} = 10mA$
8		High Impedance Leakage	I_{OZ}			5	µA	$0 < V < V_{DD}$ See Note 1
9		Output Pin Capacitance	C_O			10	pF	

Note:

1. Maximum leakage on pins (output or I/O pins in high impedance state) is over an applied voltage (V)

AC Electrical Characteristics - Timing Parameter Measurement Voltage Levels

	Characteristics	Sym	Level	Units	Conditions
1	CMOS Threshold Voltage	V_{TT}	$0.5V_{DD}$	V	
2	CMOS Rise/Fall Threshold Voltage High	V_{HM}	$0.7V_{DD}$	V	
3	CMOS Rise/Fall Threshold Voltage Low	V_{LM}	$0.3V_{DD}$	V	

AC Electrical Characteristics - Frame Pulse and $\overline{\text{CLK}}$

	Characteristic	Sym	Min	Typ	Max	Units	$\overline{\text{CLK}}$
1	Frame pulse width	t_{FPW}	55		65	ns	16.384MHz
2	Frame Pulse Setup time before $\overline{\text{CLK}}$ falling	t_{FPS}	5			ns	
3	Frame Pulse Hold Time from $\overline{\text{CLK}}$ falling	t_{FPH}	10			ns	
4	$\overline{\text{CLK}}$ Period	t_{CP}	55		70	ns	
5	$\overline{\text{CLK}}$ Pulse Width High	t_{CH}	20		40	ns	
6	$\overline{\text{CLK}}$ Pulse Width Low	t_{CL}	20		40	ns	
7	Frame pulse width	t_{FPW8}	115		145	ns	8.192MHz
8	Frame Pulse Setup time before $\overline{\text{CLK}}$ falling	t_{FPS8}	5			ns	
9	Frame Pulse Hold Time from $\overline{\text{CLK}}$ falling	t_{FPH8}	10			ns	
10	$\overline{\text{CLK}}$ Period	t_{CP8}	110		150	ns	
11	$\overline{\text{CLK}}$ Pulse Width High	t_{CH8}	50		75	ns	
12	$\overline{\text{CLK}}$ Pulse Width Low	t_{CL8}	50		75	ns	
13	Clock Rise/Fall Time	t_r, t_f	-10		+10	ns	

AC Electrical Characteristics - Serial Streams for ST-BUS

	Characteristic	Sym	Min	Typ	Max	Units	Test Conditions
1	STi Set-up Time	t_{SIS}	0			ns	
2	STi Hold Time	t_{SIH}	8			ns	
3	STo Delay - Active to Active	t_{SOD}	8 11		30 43	ns	$C_L=30\text{pF}$ $C_L=200\text{pF}$
4	Output Driver Enable (ODE) Delay	t_{ODE}			35	ns	$R_L=1\text{K}$, $C_L=200\text{pF}$, See Note 1
5	STo delay - Active to High-Z - High-Z to Active	t_{ZD}			35	ns	$R_L=1\text{K}$, $C_L=200\text{pF}$, See Note 1

Note:1. High Impedance is measured by pulling to the appropriate rail with R_L , with timing corrected to cancel time taken to discharge C_L .

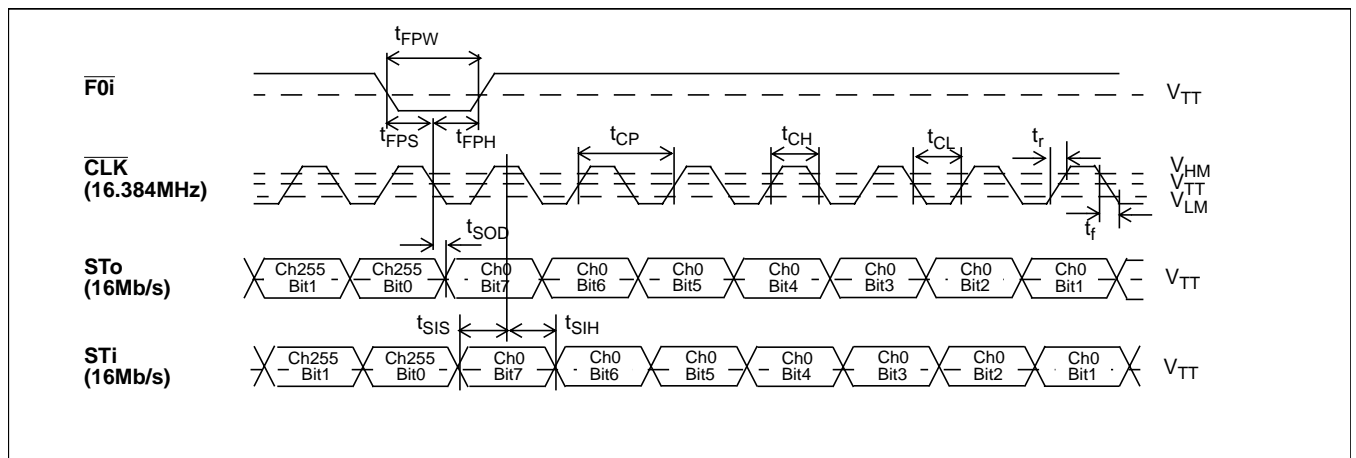


Figure 6 - ST-BUS Timing for Stream rate of 16.384 Mb/s

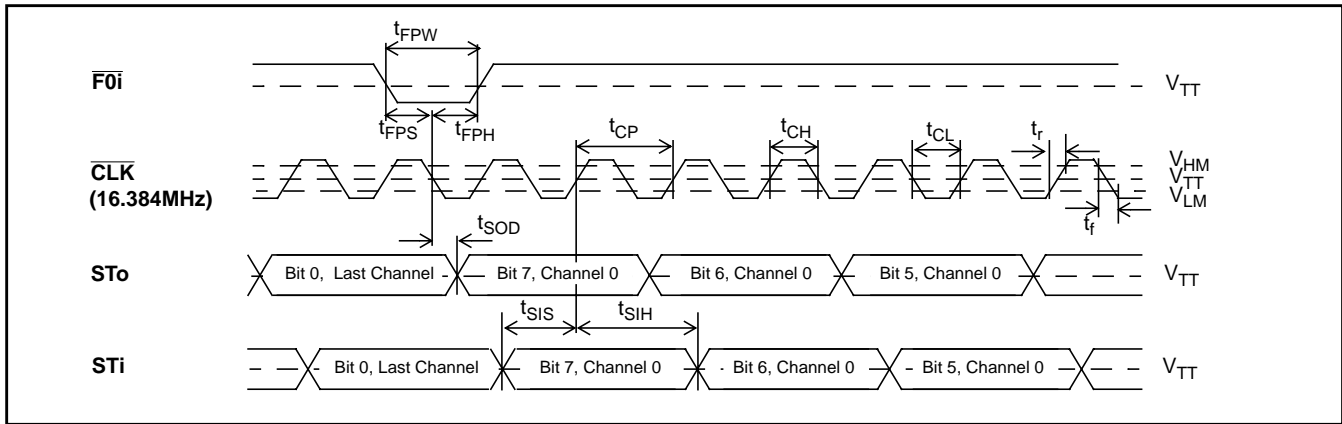


Figure 7 - ST-BUS Timing for Stream rate of 8.192 Mb/s

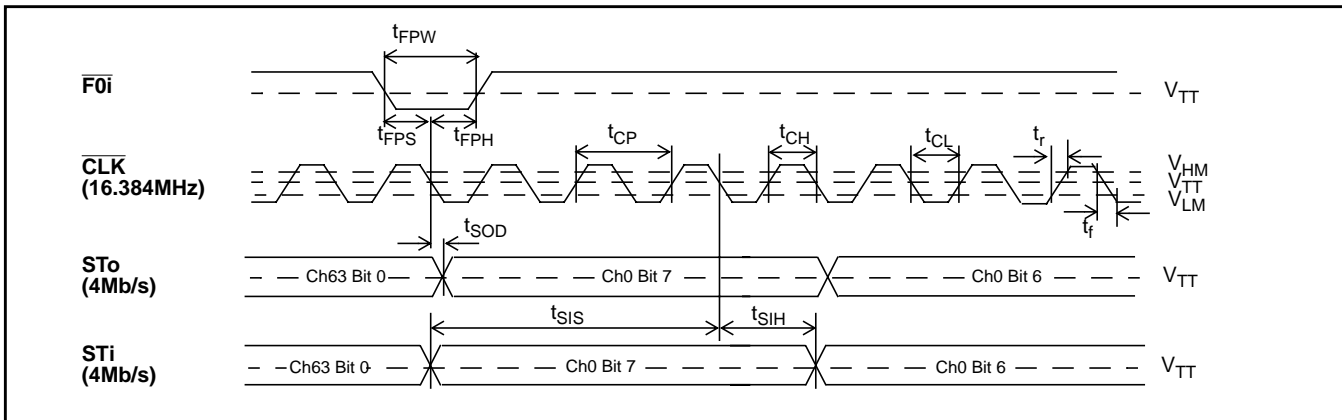


Figure 8 - ST-BUS Timing for Stream rate of 4.096 Mb/s when CLK = 16.384MHz

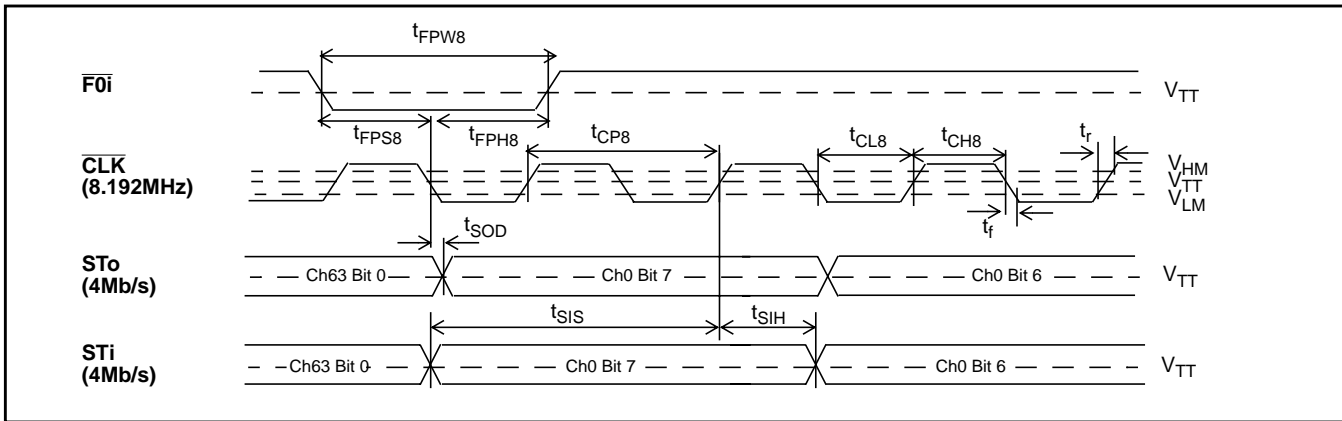


Figure 9 - ST-BUS Timing for Stream rate of 4.096 Mb/s when CLK = 8.192MHz

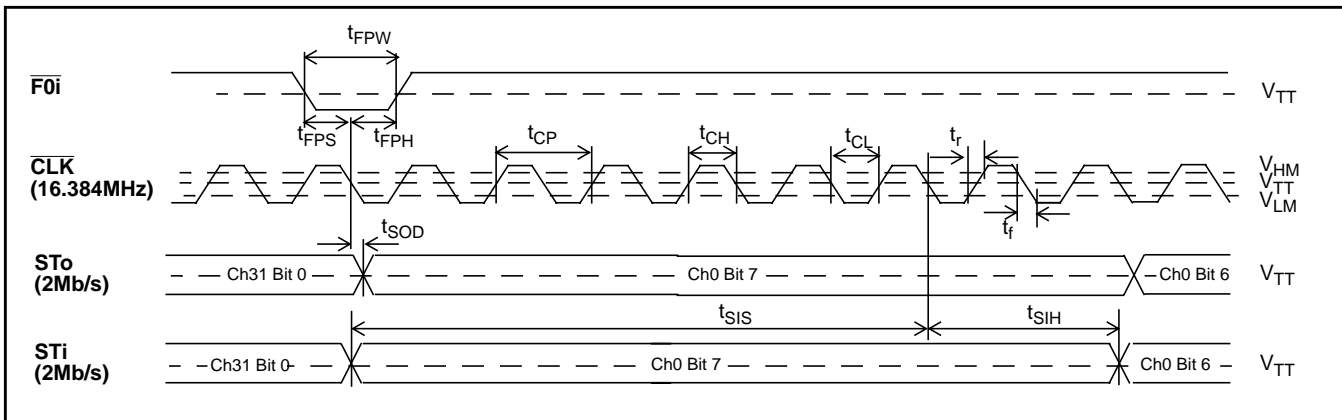


Figure 10 - ST-BUS Timing for Stream rate of 2.048 Mb/s when CLK = 16.384MHz

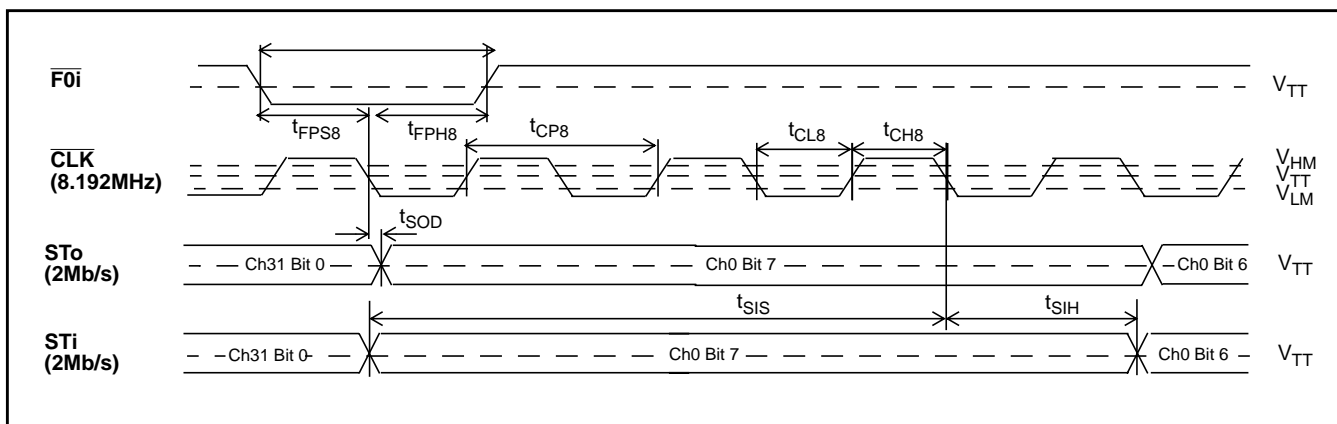


Figure 11 - ST-BUS Timing for Stream rate of 2.048 Mb/s when CLK = 8.192MHzMHz

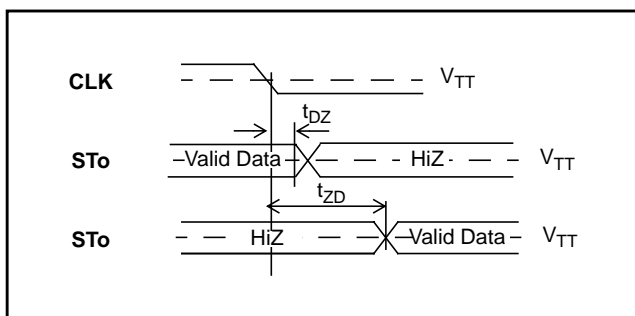


Figure 12 - Serial Output and External Control

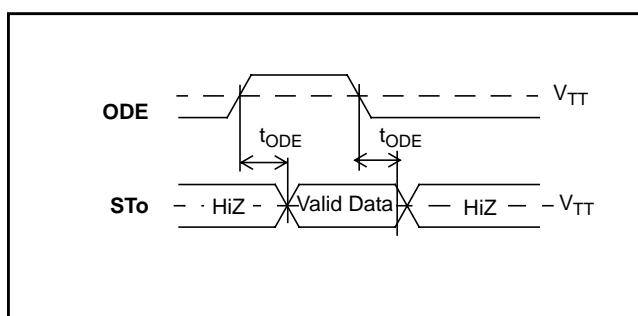


Figure 13 - Output Driver Enable (ODE)

AC Electrical Characteristics - Motorola Non-Multiplexed Bus Mode

	Characteristics	Sym	Min	Typ	Max	Units	Test Conditions
1	\overline{CS} setup from \overline{DS} falling	t_{CSS}	0			ns	
2	R/\overline{W} setup from \overline{DS} falling	t_{RWS}	10			ns	
3	Address setup from \overline{DS} falling	t_{ADS}	2			ns	
4	\overline{CS} hold after \overline{DS} rising	t_{CSH}	0			ns	
5	R/\overline{W} hold after \overline{DS} rising	t_{RWH}	2			ns	
6	Address hold after \overline{DS} rising	t_{ADH}	10			ns	
7	Data setup from \overline{DTA} Low on Read	t_{DDR}	27			ns	$C_L=150pF$
8	Data hold on read	t_{DHR}	12		20	ns	$C_L=150pF, R_L=1K$ Note 1
9	Data setup on write (fast write)	t_{DSW}	0			ns	
10	Valid Data Delay on write (slow write)	t_{SWD}	50 85 185			ns	
11	Data hold on write	t_{DHW}	13			ns	
12a	Acknowledgment Delay: Register RD or WR	t_{AKD}			55	ns	$C_L=150pF$
12b	Acknowledgment Delay: Memory RD or WR 16Mb/s, 16&8Mb/s, 8Mb/s, 4&8Mb/s 4Mb/s, 4&2Mb/s 2Mb/s	t_{AKD}			100 140 240	ns ns ns	$C_L=150pF$
13	Acknowledgment Hold Time	t_{AKH}			24	ns	$C_L=150pF, R_L=1K,$ Note 1

Note:

1. High Impedance is measured by pulling to the appropriate rail with R_L , with timing corrected to cancel time taken to discharge C_L .

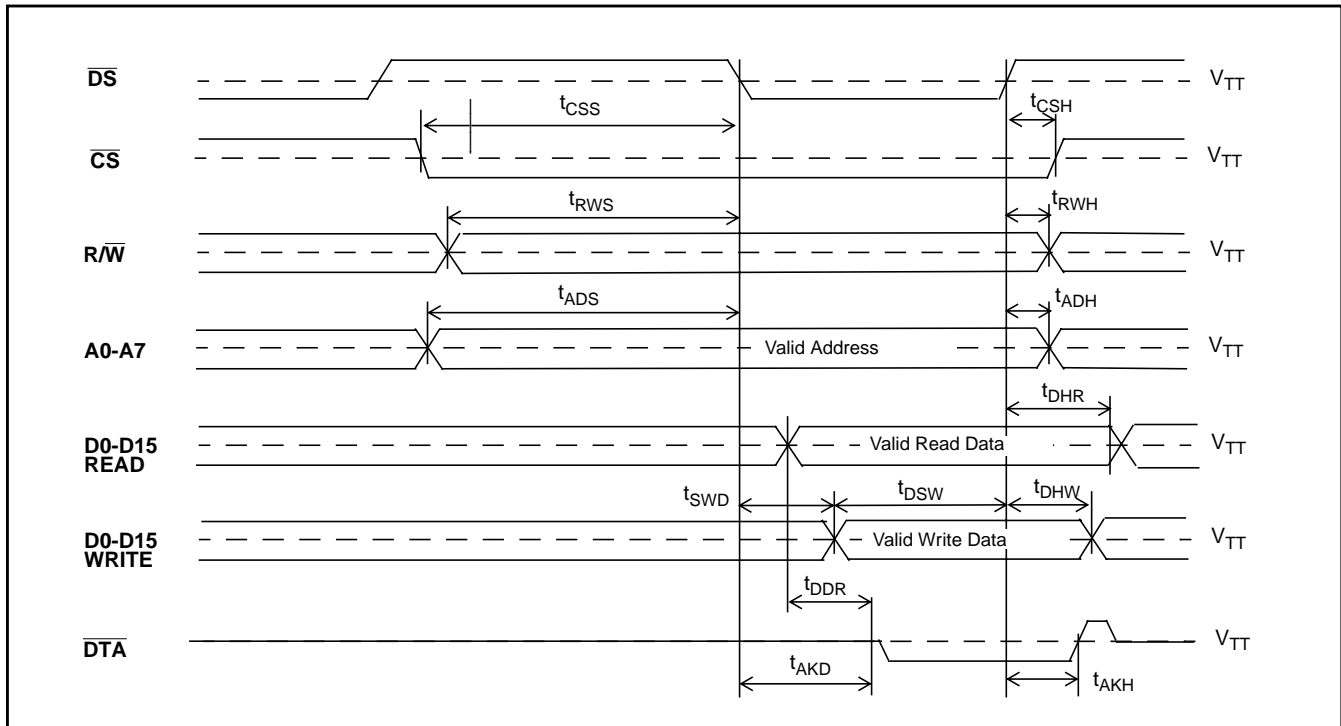
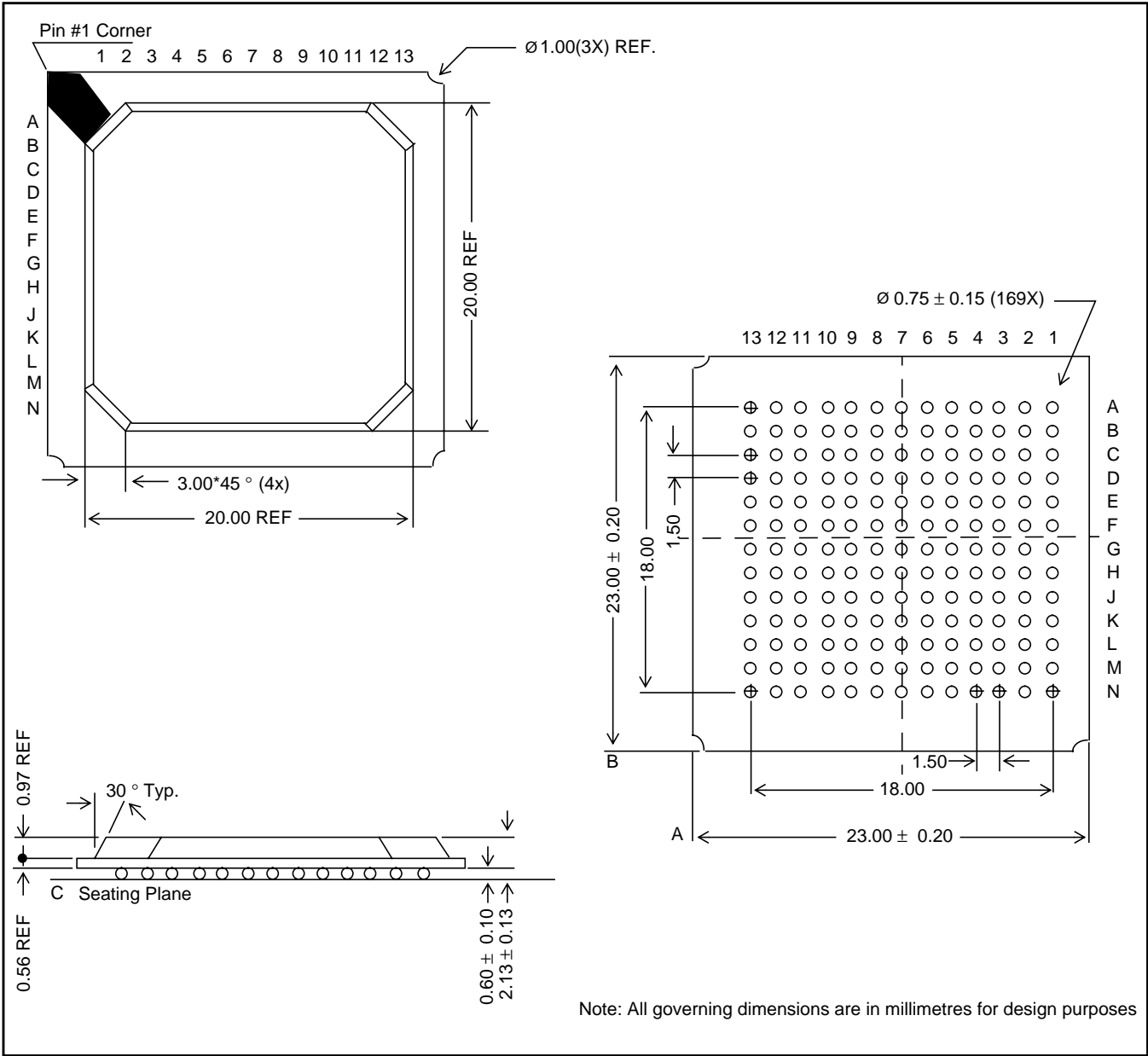


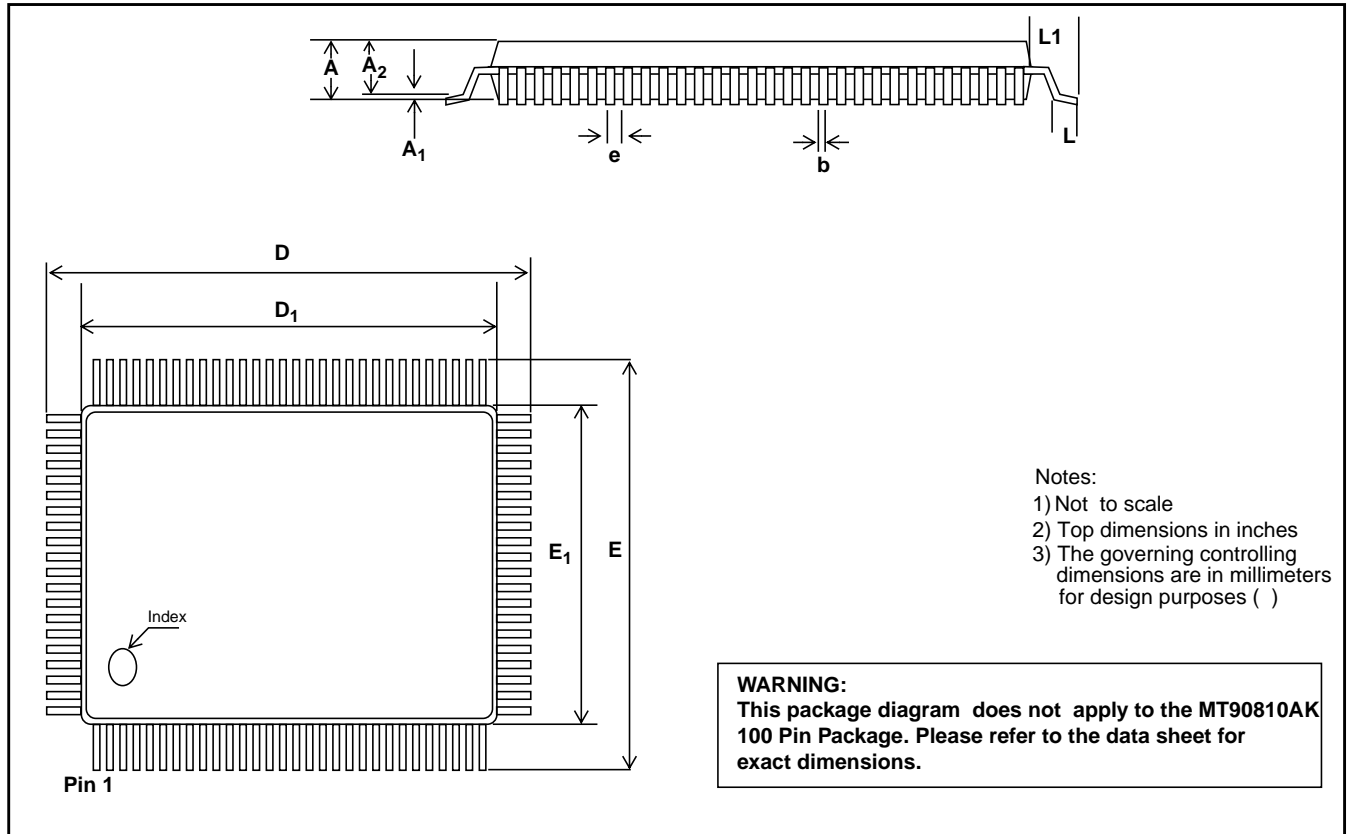
Figure 14 - Motorola Non-Multiplexed Bus Timing



Ball Gate Array

120-BGA	144-BGA	160-BGA
MT90823	MT90863	MT90826

Package Outlines



Metric Quad Flat Pack - L Suffix

Dim	44-Pin		64-Pin		100-Pin		128-Pin	
	Min	Max	Min	Max	Min	Max	Min	Max
A	-	0.096 (2.45)	-	0.134 (3.40)	-	0.134 (3.40)	-	0.154 (3.85)
A1	0.01 (0.25)	-	0.01 (0.25)	-	0.01 (0.25)	-	0.00	0.01 (0.25)
A2	0.077 (1.95)	0.083 (2.10)	0.1 (2.55)	0.12 (3.05)	0.1 (2.55)	0.12 (3.05)	0.125 (3.17)	0.144 (3.60)
b	0.01 (0.30)	0.018 (0.45)	0.013 (0.35)	0.02 (0.50)	0.009 (0.22)	0.015 (0.38)	0.019 (0.30)	0.018 (0.45)
D	0.547 BSC (13.90 BSC)		0.941 BSC (23.90 BSC)		0.941 BSC (23.90 BSC)		1.23 BSC (31.2 BSC)	
D ₁	0.394 BSC (10.00 BSC)		0.787 BSC (20.00 BSC)		0.787 BSC (20.00 BSC)		1.102 BSC (28.00 BSC)	
E	0.547 BSC (13.90 BSC)		0.705 BSC (17.90 BSC)		0.705 BSC (17.90 BSC)		1.23 BSC (31.2 BSC)	
E ₁	0.394 BSC (10.00 BSC)		0.551 BSC (14.00 BSC)		0.551 BSC (14.00 BSC)		1.102 BSC (28.00 BSC)	
e	0.031 BSC (0.80 BSC)		0.039 BSC (1.0 BSC)		0.256 BSC (0.65 BSC)		0.031 BSC (0.80 BSC)	
L	0.029 (0.73)	0.04 (1.03)	0.029 (0.73)	0.04 (1.03)	0.029 (0.73)	0.04 (1.03)	0.029 (0.73)	0.04 (1.03)
L1	0.077 REF (1.95 REF)		0.077 REF (1.95 REF)		0.077 REF (1.95 REF)		0.063 REF (1.60 REF)	

NOTE: Governing controlling dimensions in parenthesis () are in millimeters.

Package Outlines

Dim	160-Pin		208-Pin		240-Pin	
	Min	Max	Min	Max	Min	Max
A	-	0.154 (3.92)		.161 (4.10)	-	0.161 (4.10)
A1		0.01 (0.25)	0.01 (0.25)	0.02 (0.50)	0.01 (0.25)	0.02 (0.50)
A2	0.125 (3.17)	0.144 (3.67)	.126 (3.20)	.142 (3.60)	0.126 (3.2)	0.142 (3.60)
b	0.009 (0.22)	0.015 (0.38)	.007 (0.17)	.011 (0.27)	0.007 (0.17)	0.010 (0.27)
D	1.23 BSC (31.2 BSC)		1.204 (30.6)		1.360 BSC (34.6 BSC)	
D₁	1.102 BSC (28.00 BSC)		1.102 (28.00)		1.26 BSC (32.00 BSC)	
E	1.23 BSC (31.2 BSC)		1.204 BSC (30.6 BSC)		1.360 BSC (34.6 BSC)	
E₁	1.102 BSC (28.00 BSC)		1.102 BSC (28.00 BSC)		1.26 BSC (32.00 BSC)	
e	0.025 BSC (0.65 BSC)		0.020 BSC (0.50 BSC)		0.0197 BSC (0.50 BSC)	
L	0.029 (0.73)	0.04 (1.03)	0.018 (0.45)	0.029 (0.75)	0.018 (0.45)	0.029 (0.75)
L1	0.063 REF (1.60 REF)		0.051 REF (1.30 REF)		0.051 REF (1.30 REF)	

NOTE: Governing controlling dimensions in parenthesis () are in millimeters.



<http://www.mitelsemi.com>

World Headquarters - Canada

Tel: +1 (613) 592 2122
Fax: +1 (613) 592 6909

North America

Tel: +1 (770) 486 0194
Fax: +1 (770) 631 8213

Asia/Pacific

Tel: +65 333 6193
Fax: +65 333 6192

**Europe, Middle East,
and Africa (EMEA)**

Tel: +44 (0) 1793 518528
Fax: +44 (0) 1793 518581

Information relating to products and services furnished herein by Mitel Corporation or its subsidiaries (collectively "Mitel") is believed to be reliable. However, Mitel assumes no liability for errors that may appear in this publication, or for liability otherwise arising from the application or use of any such information, product or service or for any infringement of patents or other intellectual property rights owned by third parties which may result from such application or use. Neither the supply of such information or purchase of product or service conveys any license, either express or implied, under patents or other intellectual property rights owned by Mitel or licensed from third parties by Mitel, whatsoever. Purchasers of products are also hereby notified that the use of product in certain ways or in combination with Mitel, or non-Mitel furnished goods or services may infringe patents or other intellectual property rights owned by Mitel.

This publication is issued to provide information only and (unless agreed by Mitel in writing) may not be used, applied or reproduced for any purpose nor form part of any order or contract nor to be regarded as a representation relating to the products or services concerned. The products, their specifications, services and other information appearing in this publication are subject to change by Mitel without notice. No warranty or guarantee express or implied is made regarding the capability, performance or suitability of any product or service. Information concerning possible methods of use is provided as a guide only and does not constitute any guarantee that such methods of use will be satisfactory in a specific piece of equipment. It is the user's responsibility to fully determine the performance and suitability of any equipment using such information and to ensure that any publication or data used is up to date and has not been superseded. Manufacturing does not necessarily include testing of all functions or parameters. These products are not suitable for use in any medical products whose failure to perform may result in significant injury or death to the user. All products and materials are sold and services provided subject to Mitel's conditions of sale which are available on request.

M Mitel (design) and ST-BUS are registered trademarks of MITEL Corporation
Mitel Semiconductor is an ISO 9001 Registered Company
Copyright 1999 MITEL Corporation
All Rights Reserved
Printed in CANADA

TECHNICAL DOCUMENTATION - NOT FOR RESALE