



Z8 GP™ Microcontrollers

ZGP323L OTP MCU Family

Product Specification

PS023709-0208

 **Warning:** DO NOT USE IN LIFE SUPPORT

LIFE SUPPORT POLICY

ZILOG'S PRODUCTS ARE NOT AUTHORIZED FOR USE AS CRITICAL COMPONENTS IN LIFE SUPPORT DEVICES OR SYSTEMS WITHOUT THE EXPRESS PRIOR WRITTEN APPROVAL OF THE PRESIDENT AND GENERAL COUNSEL OF ZILOG CORPORATION.

As used herein

Life support devices or systems are devices which (a) are intended for surgical implant into the body, or (b) support or sustain life and whose failure to perform when properly used in accordance with instructions for use provided in the labeling can be reasonably expected to result in a significant injury to the user. A critical component is any component in a life support device or system whose failure to perform can be reasonably expected to cause the failure of the life support device or system or to affect its safety or effectiveness.

Document Disclaimer

©2008 by Zilog, Inc. All rights reserved. Information in this publication concerning the devices, applications, or technology described is intended to suggest possible uses and may be superseded. ZILOG, INC. DOES NOT ASSUME LIABILITY FOR OR PROVIDE A REPRESENTATION OF ACCURACY OF THE INFORMATION, DEVICES, OR TECHNOLOGY DESCRIBED IN THIS DOCUMENT. ZILOG ALSO DOES NOT ASSUME LIABILITY FOR INTELLECTUAL PROPERTY INFRINGEMENT RELATED IN ANY MANNER TO USE OF INFORMATION, DEVICES, OR TECHNOLOGY DESCRIBED HEREIN OR OTHERWISE. The information contained within this document has been verified according to the general principles of electrical and mechanical engineering.

Z8, Z8 GP, Z8 Encore!, and ZNEO are trademarks or registered trademarks of Zilog, Inc. All other product or service names are the property of their respective owners.



**ISO 9001:2000
FS 507510**

Zilog products are designed and manufactured under an ISO registered 9001:2000 Quality Management System. For more details, please visit www.zilog.com/quality.

Revision History

Each instance in the Revision History table reflects a change to this document from its previous revision. For more details, refer to the corresponding pages or appropriate link in the table below.

Date	Revision Level	Description	Page No
February 2008	09	Updated Ordering Information example section.	97
August 2007	08	Updated document with new Zilog logo and disclaimer section.	All
May 2006	07	Added Pin 22 to SMR block Input, Figure 33 .	52
November 2005	06	Updated Ordering Information , added Caution for I/O ports 0, 1 and 2 and added new Clock information.	93
October 2005	05	Updated Ordering Information .	93

Table of Contents

Architectural Overview	1
Development Features	2
Functional Block Diagram	3
Pin Description	5
Pin Functions	10
XTAL1 Crystal 1 (Time-Based Input)	10
XTAL2 Crystal 2 (Time-Based Output)	10
Input/Output Ports	10
Port 1 (P17–P10)	12
Port 2 (P27–P20)	12
Port 3 (P37–P30)	13
RESET (Input, Active Low)	17
Functional Description	18
Program Memory	18
RAM	18
Expanded Register File	19
Register File	23
Stack	24
Timers	25
Counter/Timer Functional Blocks	33
Expanded Register File Control Registers (0D)	58
Expanded Register File Control Registers (0F)	65
Standard Control Registers	68
Electrical Characteristics	75
Absolute Maximum Ratings	75
Standard Test Conditions	75
Capacitance	76
DC Characteristics	76
AC Characteristics	82
Packaging	84
Ordering Information	93
Index	99
Customer Support	103

Architectural Overview

Zilog's ZGP323L is an OTP-based member of the MCU family of infrared microcontrollers. With 237 B of general-purpose RAM and up to 32 KB of OTP, Zilog's CMOS microcontrollers offer fast-executing, efficient use of memory, sophisticated interrupts, input/output bit manipulation capabilities, automated pulse generation/reception, and internal key-scan pull-up transistors.

The ZGP323L architecture (see [Figure 1](#)) is based on Zilog's 8-bit microcontroller core with an Expanded Register File allowing access to register-mapped peripherals, I/O circuits, and powerful counter/timer circuitry. The Z8[®] offers a flexible I/O scheme, an efficient register and address space structure, and a number of ancillary features that are useful in many consumer, automotive, computer peripheral, and battery-operated hand-held applications.

There are three basic address spaces available to support a wide range of configurations: Program Memory, Register File and Expanded Register File. The register file is composed of 256 bytes of RAM. It includes 4 I/O port registers, 16 control and status registers, and 236 general-purpose registers. The Expanded Register File consists of two additional register groups (F and D).

To unburden the program from coping with such real-time problems as generating complex waveforms or receiving and demodulating complex waveform/pulses, the Z8 GP OTP MCU offers a new intelligent counter/timer architecture with 8-bit and 16-bit counter/timers (see [Figure 2](#)). Also included are a large number of user-selectable modes and two on-board comparators to process analog signals with separate reference voltages.

► **Note:** *All signals with an overline, "¯", are active Low. For example, B/\overline{W} , in which WORD is active Low, and \overline{B}/W , in which BYTE is active Low.*

Power connections use the conventional descriptions listed in [Table 1](#).

Table 1. Power Connections

Connection	Circuit	Device
Power	V _{CC}	V _{DD}
Ground	GND	V _{SS}

Development Features

The features of ZGP323L include (see [Table 2](#)):

Table 2. Features

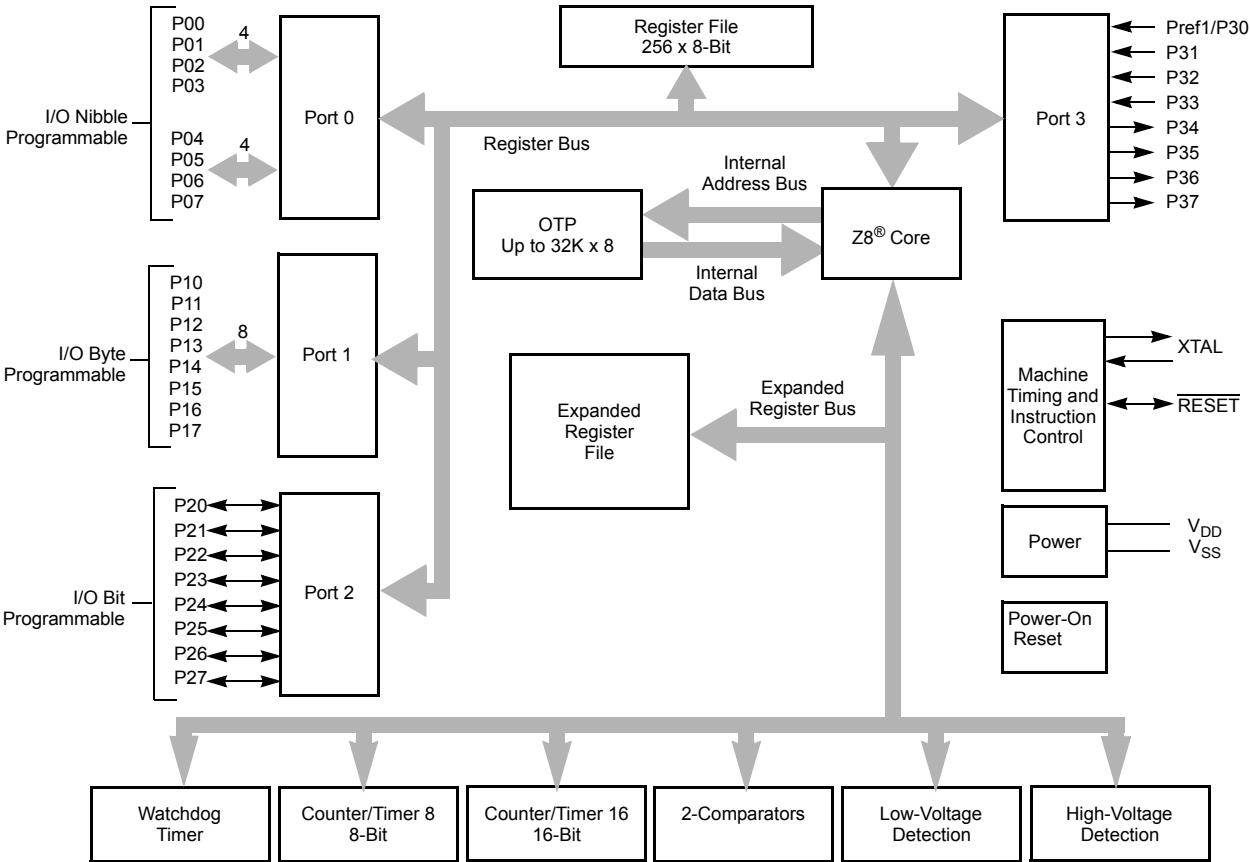
Device	OTP (KB)	RAM (Bytes)	I/O Lines	Voltage Range
ZGP323L OTP MCU Family	4, 8, 16, 32	237	32, 24 or 16	2.0 V–3.6 V

- Low power consumption—11 mW (typical)
- T = Temperature
S = Standard 0 °C to +70 °C
E = Extended -40 °C to +105 °C
A = Automotive -40 °C to +125 °C
- Three standby modes:
 - STOP—1.7 μ A (typical)
 - HALT—0.6 mA (typical)
 - Low voltage reset
- Special architecture to automate generation and reception of complex pulses or signals:
 - One programmable 8-bit counter/timer with two capture registers and two load registers
 - One programmable 16-bit counter/timer with one 16-bit capture register pair and one 16-bit load register pair
 - Programmable input glitch filter for pulse reception
- Six priority interrupts
 - Three external
 - Two assigned to counter/timers
 - One low-voltage detection interrupt
- Low-voltage detection and high-voltage detection flags
- Programmable Watchdog Timer/Power-On Reset (WDT/POR) circuits
- Two independent comparators with programmable interrupt polarity
- Programmable EPROM options

- Port 0: 0–3 pull-up transistors
- Port 0: 4–7 pull-up transistors
- Port 1: 0–3 pull-up transistors
- Port 1: 4–7 pull-up transistors
- Port 2: 0–7 pull-up transistors
- EPROM Protection
- WDT enabled at POR

Functional Block Diagram

Figure 1 displays the ZGP323L MCU functional block diagram.



Note: Refer to the specific package for available pins.

Figure 1. ZGP323L MCU Functional Block Diagram

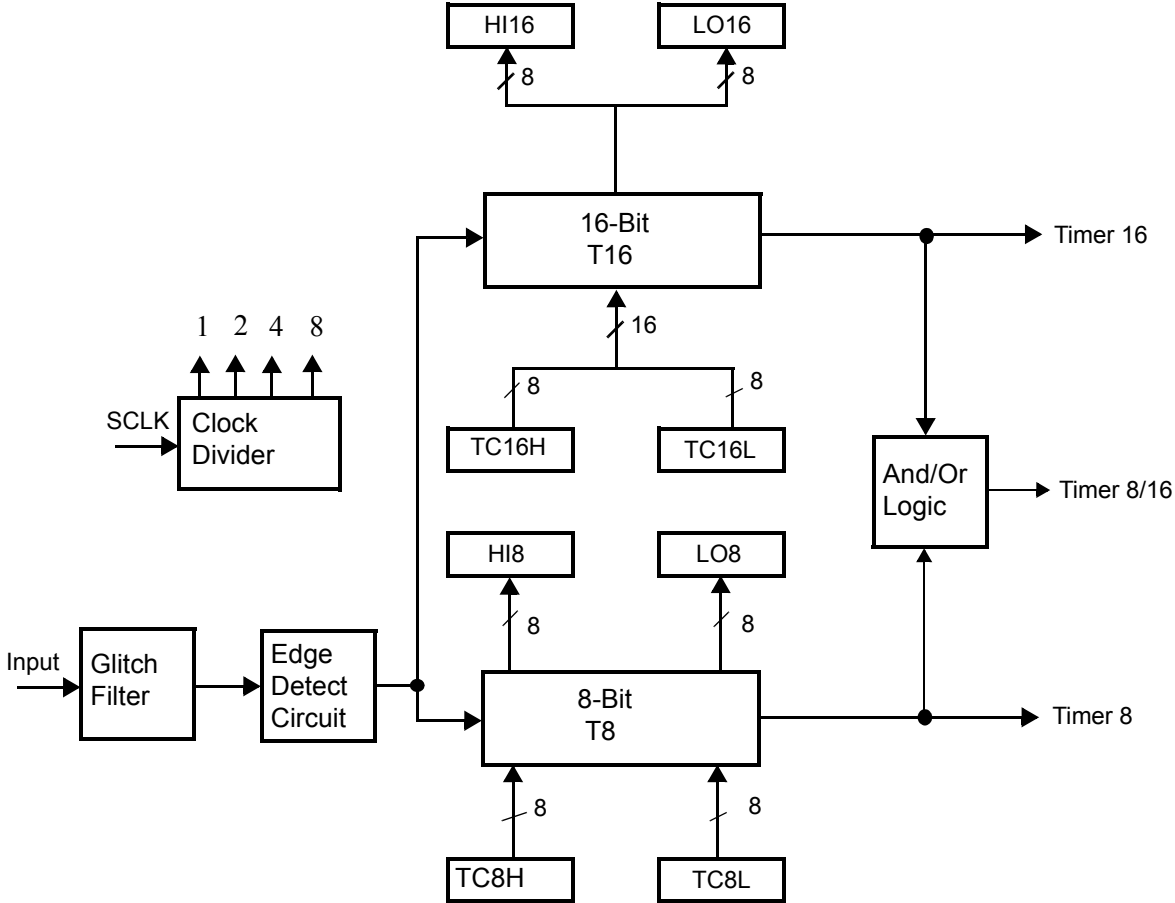


Figure 2. Counter/Timers Diagram

Pin Description

The pin configuration for the 20-pin PDIP/SOIC/SSOP is displayed in [Figure 3](#) and described in [Table 3](#). The pin configuration for the 28-pin PDIP/SOIC/SSOP are displayed in [Figure 4](#) and described in [Table 4](#). The pin configurations for the 40-pin PDIP and 48-pin SSOP versions are displayed in [Figure 5](#), [Figure 6](#), and described in [Table 5](#).

For customer engineering code development, a UV erasable windowed cerdip packaging is offered in 20-pin, 28-pin, and 40-pin configurations. Zilog® does not recommend nor guarantee these packages for use in production.

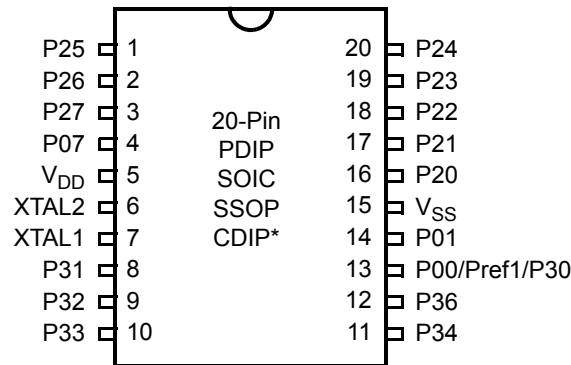


Figure 3. 20-Pin PDIP/SOIC/SSOP/CDIP* Pin Configuration

Table 3. 20-Pin PDIP/SOIC/SSOP/CDIP* Pin Identification

Pin No	Symbol	Function	Direction
1–3	P25–P27	Port 2, Bits 5,6,7	Input/Output
4	P07	Port 0, Bit 7	Input/Output
5	V _{DD}	Power Supply	
6	XTAL2	Crystal Oscillator Clock	Output
7	XTAL1	Crystal Oscillator Clock	Input
8–10	P31–P33	Port 3, Bits 1,2,3	Input
11,12	P34–P36	Port 3, Bits 4,6	Output
13	P00/Pref1/P30	Port 0, Bit 0/Analog reference input Port 3 Bit 0	Input/Output for P00 Input for Pref1/P30

Table 3. 20-Pin PDIP/SOIC/SSOP/CDIP* Pin Identification (Continued)

Pin No	Symbol	Function	Direction
14	P01	Port 0, Bit 1	Input/Output
15	V _{SS}	Ground	
16–20	P20–P24	Port 2, Bits 0,1,2,3,4	Input/Output

► **Note:** *Windowed Cerdip. These units are intended to be used for engineering code development only. Zilog® does not recommend/guarantee this package for production use.

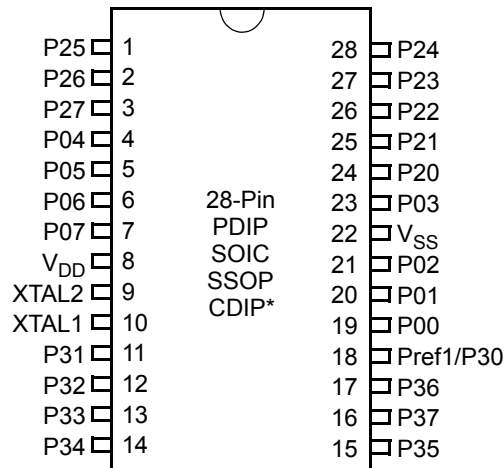


Figure 4. 28-Pin PDIP/SOIC/SSOP/CDIP* Pin Configuration

Table 4. 28-Pin PDIP/SOIC/SSOP/CDIP* Pin Identification

Pin	Symbol	Direction	Description
1–3	P25–P27	Input/Output	Port 2, Bits 5,6,7
4–7	P04–P07	Input/Output	Port 0, Bits 4,5,6,7
8	V _{DD}		Power supply
9	XTAL2	Output	Crystal, oscillator clock
10	XTAL1	Input	Crystal, oscillator clock
11–13	P31–P33	Input	Port 3, Bits 1,2,3
14	P34	Output	Port 3, Bit 4
15	P35	Output	Port 3, Bit 5
16	P37	Output	Port 3, Bit 7
17	P36	Output	Port 3, Bit 6

Table 4. 28-Pin PDIP/SOIC/SSOP/CDIP* Pin Identification (Continued)

Pin	Symbol	Direction	Description
18	Pref1/P30 Port 3 Bit 0	Input	Analog ref input; connect to V_{CC} if not used Input for Pref1/P30
19–21	P00-P02	Input/Output	Port 0, Bits 0,1,2
22	V_{SS}		Ground
23	P03	Input/Output	Port 0, Bit 3
24–28	P20-P24	Input/Output	Port 2, Bits 0-4

► **Note:** *Windowed Cerdip. These units are intended to be used for engineering code development only. Zilog® does not recommend/guarantee this package for production use.

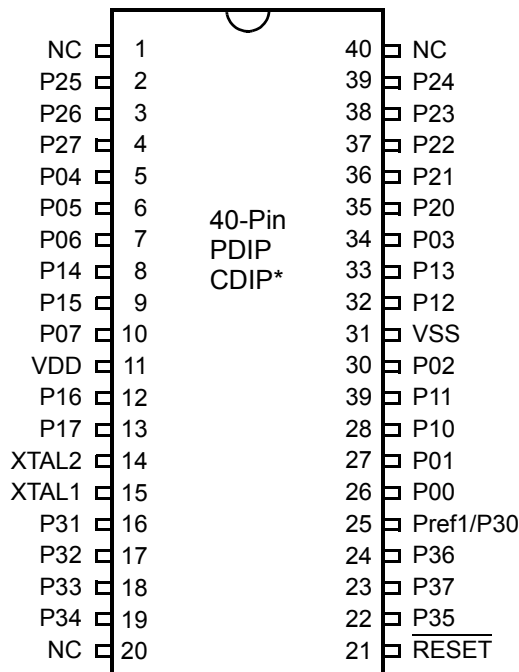


Figure 5. 40-Pin PDIP/CDIP* Pin Configuration

► **Note:** *Windowed Cerdip. These units are intended to be used for engineering code development only. Zilog® does not recommend/guarantee this package for production use.

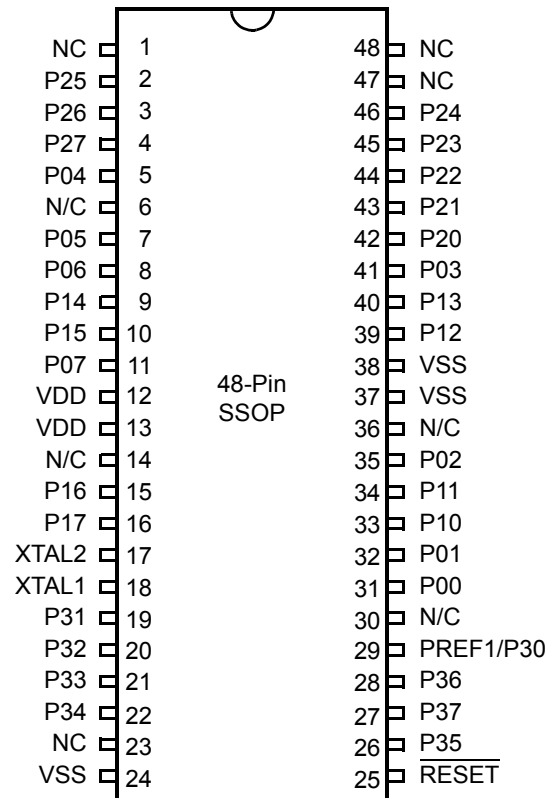


Figure 6. 48-Pin SSOP Pin Configuration

Table 5. 40- and 48-Pin Configuration

40-Pin PDIP/CDIP*	48-Pin SSOP	Symbol
26	31	P00
27	32	P01
30	35	P02
34	41	P03
5	5	P04
6	7	P05
7	8	P06
10	11	P07
28	33	P10
29	34	P11

Table 5. 40- and 48-Pin Configuration (Continued)

40-Pin PDIP/CDIP*	48-Pin SSOP	Symbol
32	39	P12
33	40	P13
8	9	P14
9	10	P15
12	15	P16
13	16	P17
35	42	P20
36	43	P21
37	44	P22
38	45	P23
39	46	P24
2	2	P25
3	3	P26
4	4	P27
16	19	P31
17	20	P32
18	21	P33
19	22	P34
22	26	P35
24	28	P36
23	27	P37
20	23	NC
40	47	NC
1	1	NC
21	25	RESET
15	18	XTAL1
14	17	XTAL2
11	12, 13	V _{DD}
31	24, 37, 38	V _{SS}
25	29	Pref1/P30
	48	NC

Pin Functions

XTAL1 Crystal 1 (Time-Based Input)

This pin connects a parallel-resonant crystal or ceramic resonator to the on-chip oscillator input. Additionally, an optional external single-phase clock can be coded to the on-chip oscillator input.

XTAL2 Crystal 2 (Time-Based Output)

This pin connects a parallel-resonant crystal or ceramic resonator to the on-chip oscillator output.

Input/Output Ports

Input/Output ports are described in the following sections.



Caution: *The CMOS input buffer for each port 0, 1, or 2 pin is always connected to the pin, even when the pin is configured as an output. If the pin is configured as an open-drain output and no signal is applied, a High output state can cause the CMOS input buffer to float. This might lead to excessive leakage current of more than 100 μ A. To prevent this leakage, connect the pin to an external signal with a defined logic level or ensure its output state is Low, especially during STOP mode.*

Internal pull-ups are disabled on any given pin or group of port pins when programmed into output mode.

Port 0, 1 and 2 have both input and output capability. The input logic is always present no matter whether the port is configured as input or output. When doing a READ instruction, it will read the actual value at the input logic not from the output buffer. In addition, the instruction of "OR", "AND", "XOR" are read-modify-write instructions. It will first read the port and then modify the value and load back to the port.

Precaution must be taken if the port is configured as open-drain output or driving some circuit that may make the voltage different from the desired output logic. For example, pins P00-P07 are not connecting to anything else. If it is configured as open-drain output with outputting logic ONE, it is a floating port and will read back as ZERO. The following instruction will set P00-P07 all LOW.

```
AND P0, #%F0
```

Port 0 (P07–P00)

Port 0 is an 8-bit, bidirectional, CMOS-compatible port. These eight I/O lines are configured under software control as a nibble I/O port. The output drivers are push-pull or open-drain controlled by bit D2 in the PCON register.

If one or both nibbles are needed for I/O operation, they must be configured by writing to the Port 0 mode register. After a hardware reset, Port 0 is configured as an input port.

An optional pull-up transistor is available as a mask option on all Port 0 bits with nibble select.

- **Notes:**
 1. *Internal pull-ups are disabled on any given pin or group of port pins when programmed into output mode.*
 2. *The Port 0 direction is reset to be input following an SMR.*

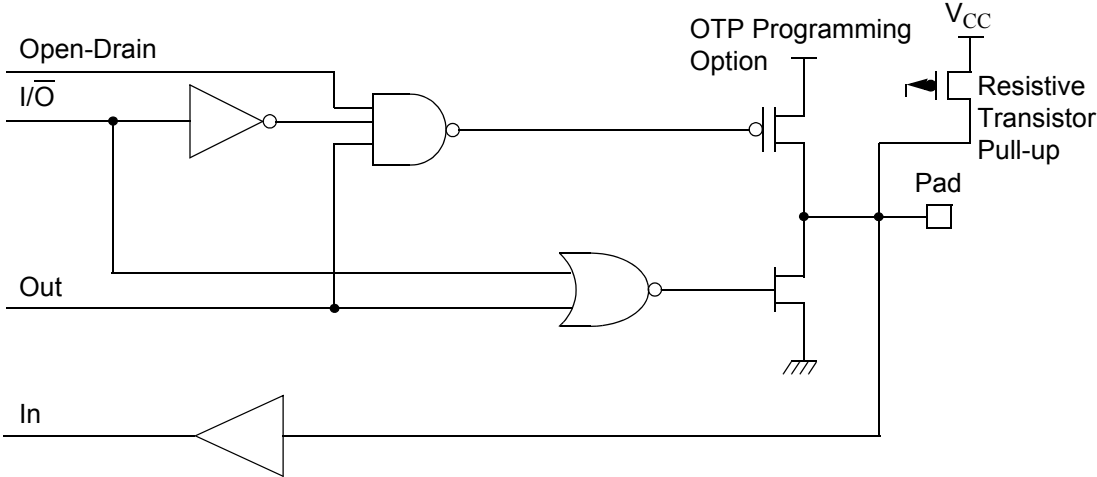
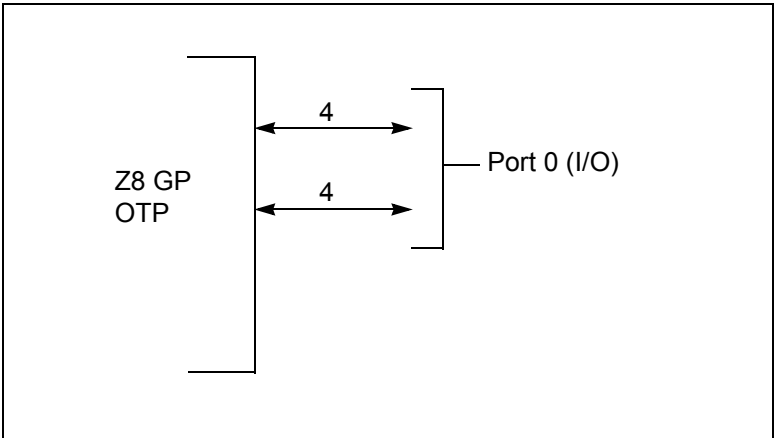


Figure 7. Port 0 Configuration

Port 1 (P17–P10)

Port 1 (see Figure 8) can be configured for standard port input or output mode. After POR, Port 1 is configured as an input port. The output drivers are either push-pull or open-drain and are controlled by bit D1 in the PCON register.

► **Note:** *The Port 1 direction is reset to be input following an SMR.*

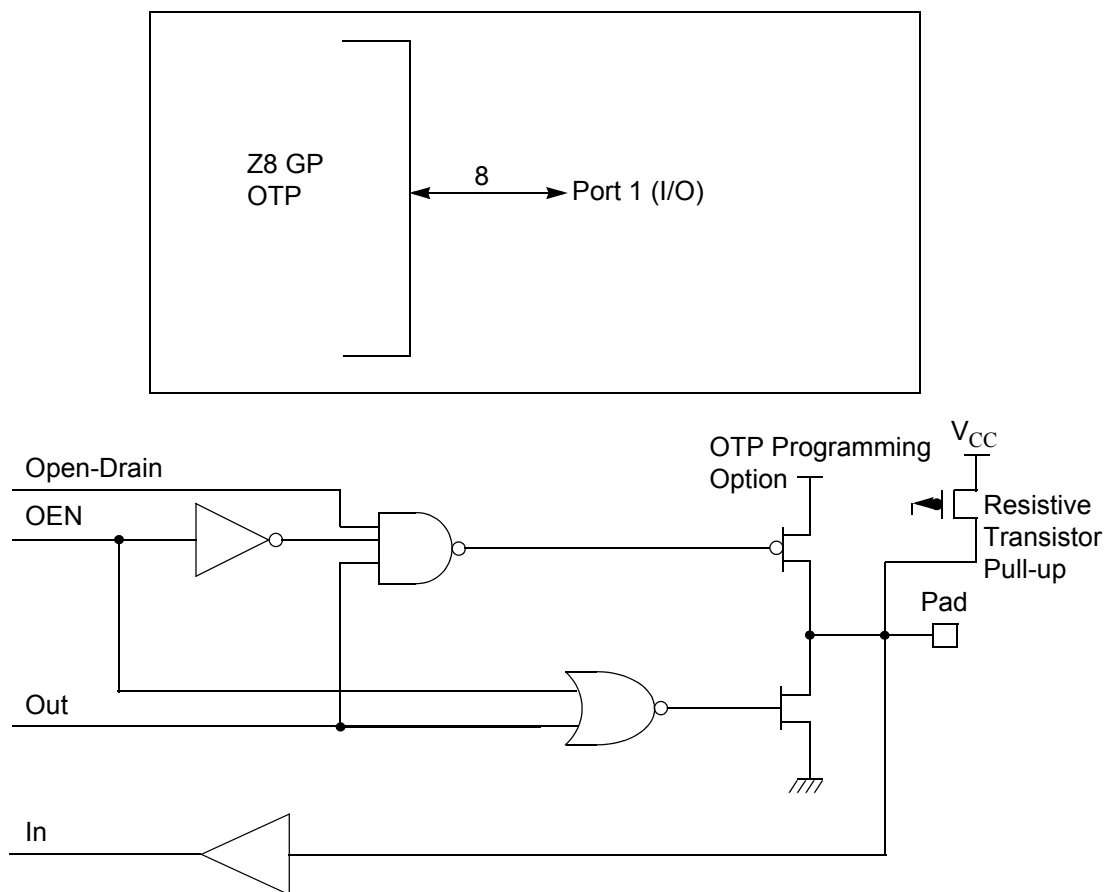


Figure 8. Port 1 Configuration

Port 2 (P27–P20)

Port 2 is an 8-bit, bidirectional, CMOS-compatible I/O port (see Figure 9). These eight I/O lines can be independently configured under software control as inputs or outputs. Port 2 is always available for I/O operation. A mask option is available to connect eight pull-up transistors on this port. Bits programmed as outputs are globally programmed as either push-pull or open-drain. The POR resets with the eight bits of Port 2 configured as inputs.

Port 2 also has an 8-bit input OR and AND gate, which can be used to wake up the part. P20 can be programmed to access the edge-detection circuitry in DEMODULATION mode.

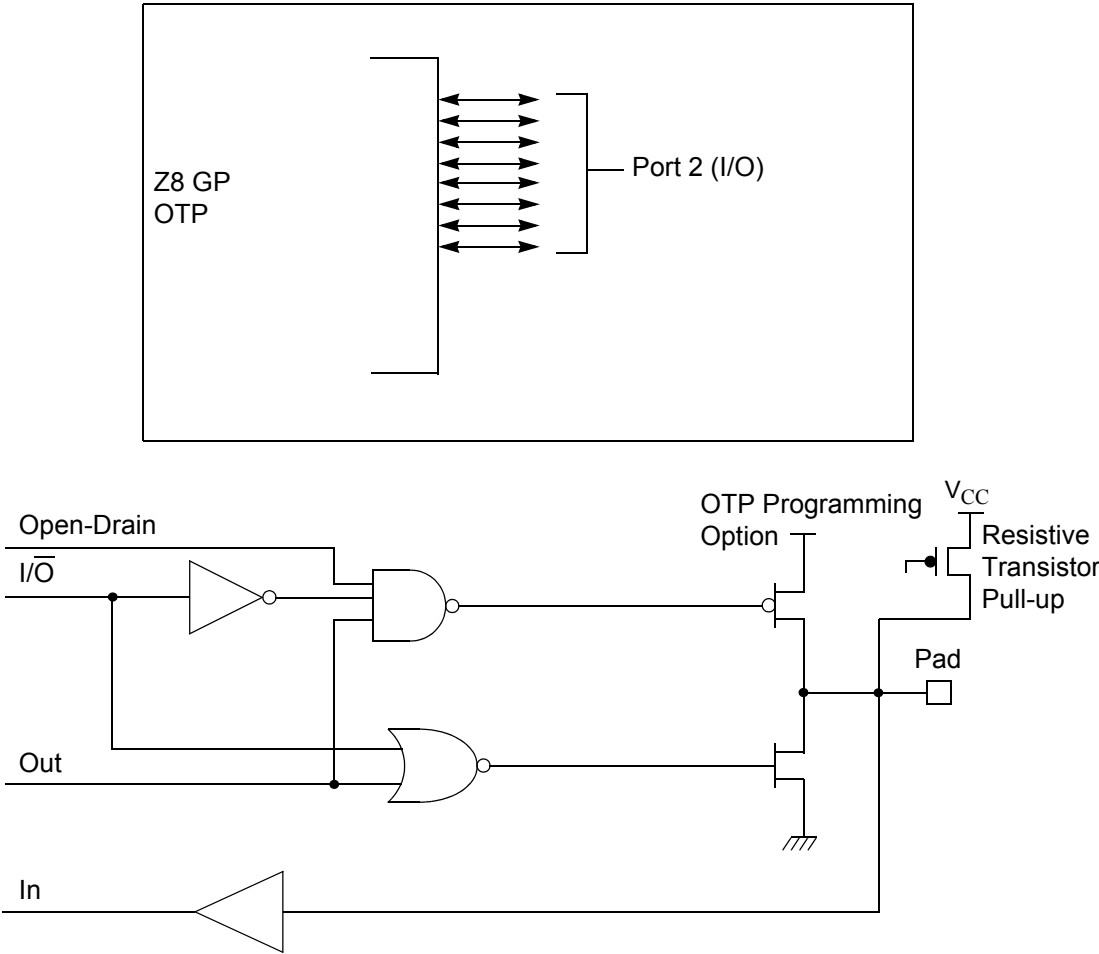


Figure 9. Port 2 Configuration

Port 3 (P37–P30)

Port 3 is a 8-bit, CMOS-compatible fixed I/O port (see Figure 10). Port 3 consists of four fixed input (P33–P30) and four fixed output (P37–P34), which can be configured under software control for interrupt and as output from the counter/timers. P30, P31, P32, and P33 are standard CMOS inputs; P34, P35, P36, and P37 are push-pull outputs.

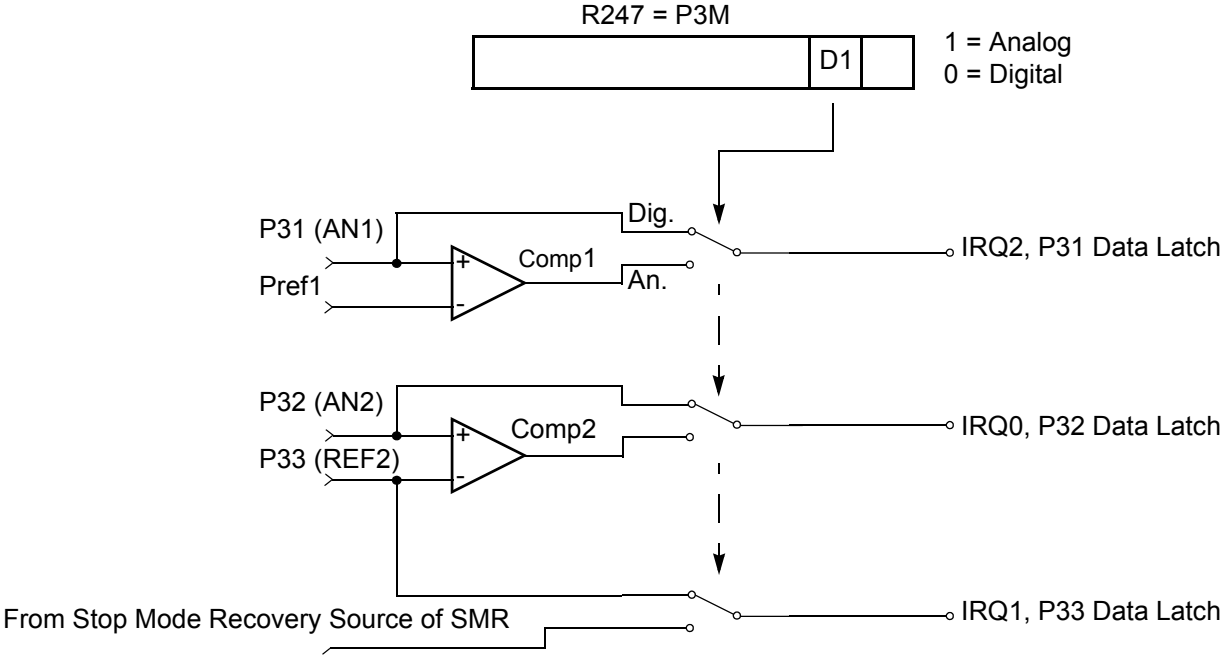
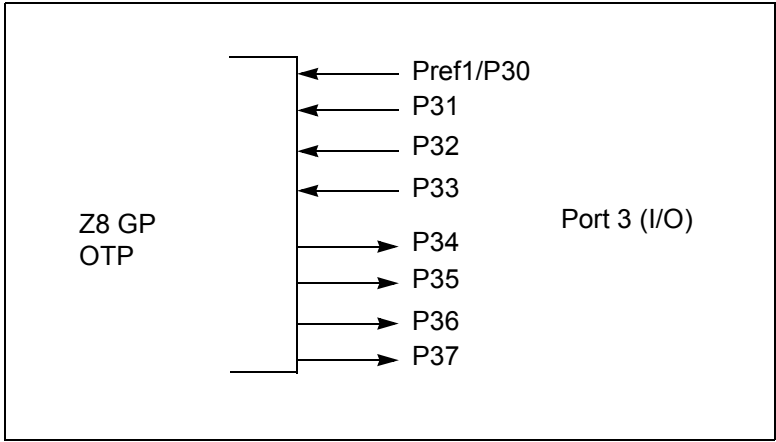


Figure 10. Port 3 Configuration

Two on-board comparators process analog signals on P31 and P32, with reference to the voltage on Pref1 and P33. The analog function is enabled by programming the Port 3 Mode register (bit 1). P31 and P32 are programmable as rising, falling, or both edge triggered interrupts (IRQ register bits 6 and 7). Pref1 and P33 are the comparator reference voltage inputs. Access to the Counter Timer edge-detection circuit is through P31 or P20

(see [T8 and T16 Common Functions—CTR1\(0D\)01H](#) on page 28). Other edge detect and IRQ modes are described in [Table 6](#).

► **Note:** *Comparators are powered down by entering STOP mode. For P31–P33 to be used in a Stop Mode Recovery source, these inputs must be placed into DIGITAL mode.*

Table 6. Port 3 Pin Function Summary

Pin No	I/O	Counter/Timers	Comparator	Interrupt
Pref1/P30	IN		RF1	
P31	IN	IN	AN1	IRQ2
P32	IN		AN2	IRQ0
P33	IN		RF2	IRQ1
P34	OUT	T8	AO1	
P35	OUT	T16		
P36	OUT	T8/16		
P37	OUT		AO2	
P20	I/O	IN		

Port 3 also provides output for each of the counter/timers and the AND/OR Logic (see [Figure 11](#)). Control is performed by programming bits D5–D4 of CTR1, bit 0 of CTR0, and bit 0 of CTR2.

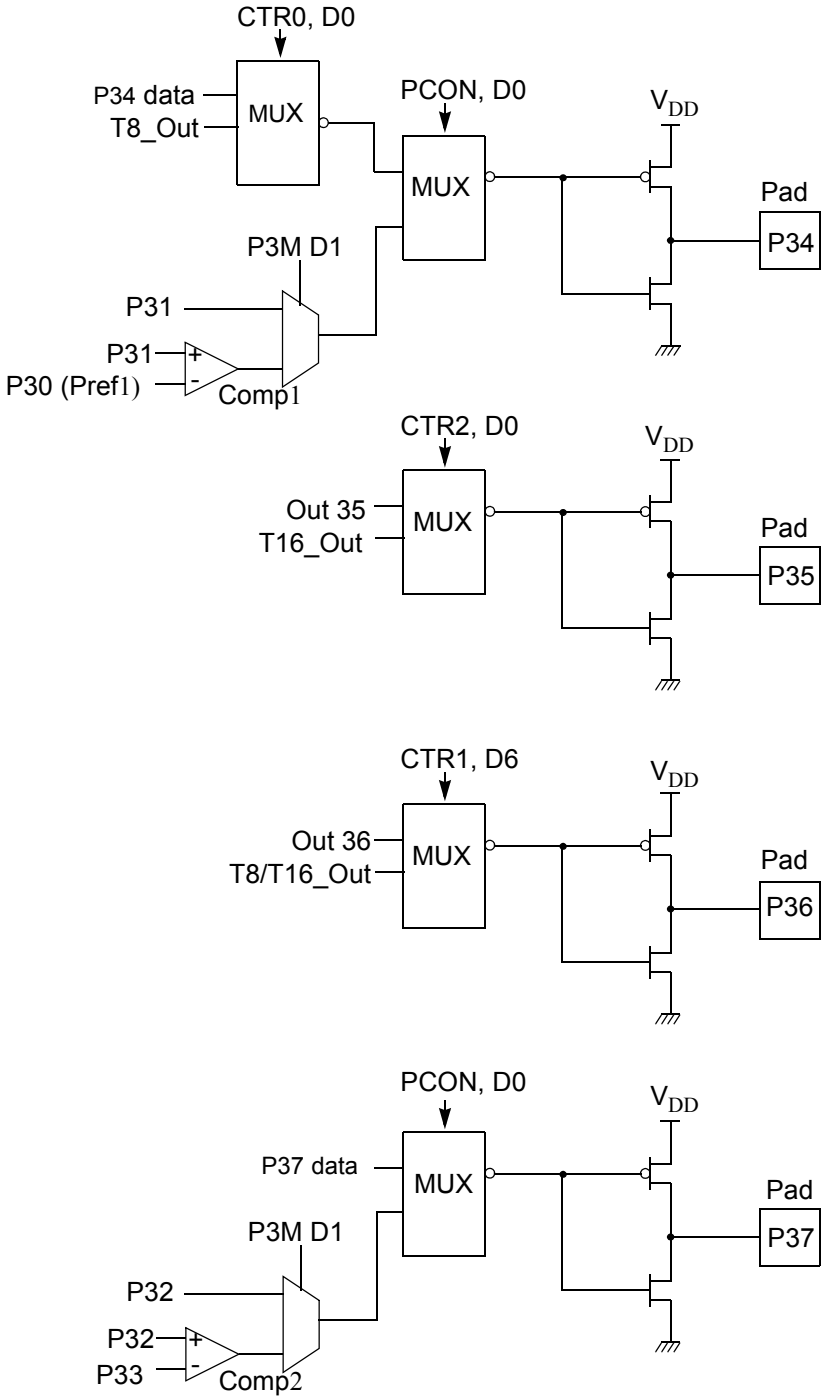


Figure 11. Port 3 Counter/Timer Output Configuration

Comparator Inputs

In ANALOG mode, P31 and P32 have a comparator front end. The comparator reference is supplied to P33 and Pref1. In this mode, the P33 internal data latch and its corresponding IRQ1 are diverted to the SMR sources (excluding P31, P32, and P33) as displayed in [Figure 10](#) on page 14. In DIGITAL mode, P33 is used as D3 of the Port 3 input register, which then generates IRQ1.

- **Note:** *Comparators are powered down by entering STOP mode. For P31–P33 to be used in a Stop Mode Recovery source, these inputs must be placed into DIGITAL mode.*

Comparator Outputs

These channels can be programmed to be output on P34 and P37 through the PCON register.

RESET (Input, Active Low)

Reset initializes the MCU and is accomplished either through Power-On, Watchdog Timer, Stop Mode Recovery, Low-Voltage detection, or external reset. During Power-On Reset and Watchdog Timer Reset, the internally generated reset drives the reset pin Low for the POR time. Any devices driving the external reset line must be open-drain to avoid damage from a possible conflict during reset conditions. Pull-up is provided internally.

When the Z8 GP asserts (Low) the $\overline{\text{RESET}}$ pin, the internal pull-up is disabled. The Z8 GP does not assert the $\overline{\text{RESET}}$ pin when under VBO.

- **Note:** *The external Reset does not initiate an exit from STOP mode.*

Functional Description

This device incorporates special functions to enhance the functionality of Z8[®] in consumer and battery-operated applications.

Program Memory

This device addresses up to 32 KB of OTP memory. The first 12 bytes are reserved for interrupt vectors. These locations contain the six 16-bit vectors that correspond to the six available interrupts.

RAM

This device features 256 B of RAM. See [Figure 12](#).

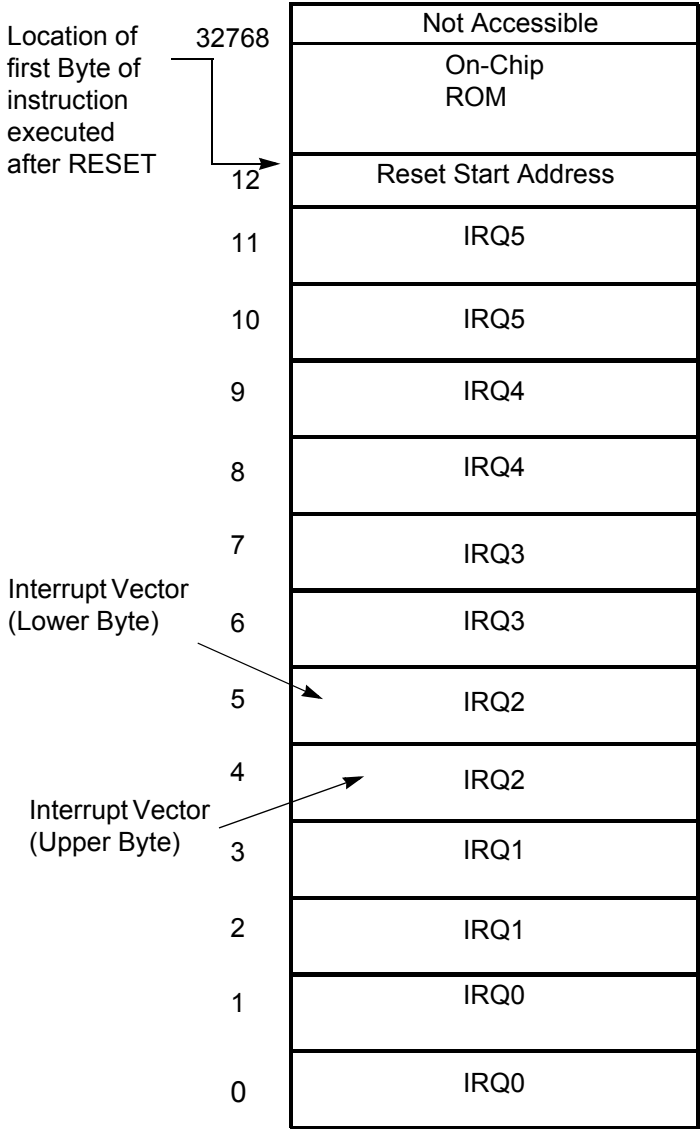


Figure 12. Program Memory Map (32 K OTP)

Expanded Register File

The register file has been expanded to allow for additional system control registers and for mapping of additional peripheral devices into the register address area. The Z8 register address space (R0 through R15) has been implemented as 16 banks, with 16 registers per bank. These register groups are known as the ERF (Expanded Register File). Bits 7–4 of

register RP select the working register group. Bits 3–0 of register RP select the expanded register file bank.

- **Note:** *An expanded register bank is also referred to as an expanded register group (see [Figure 13](#)).*

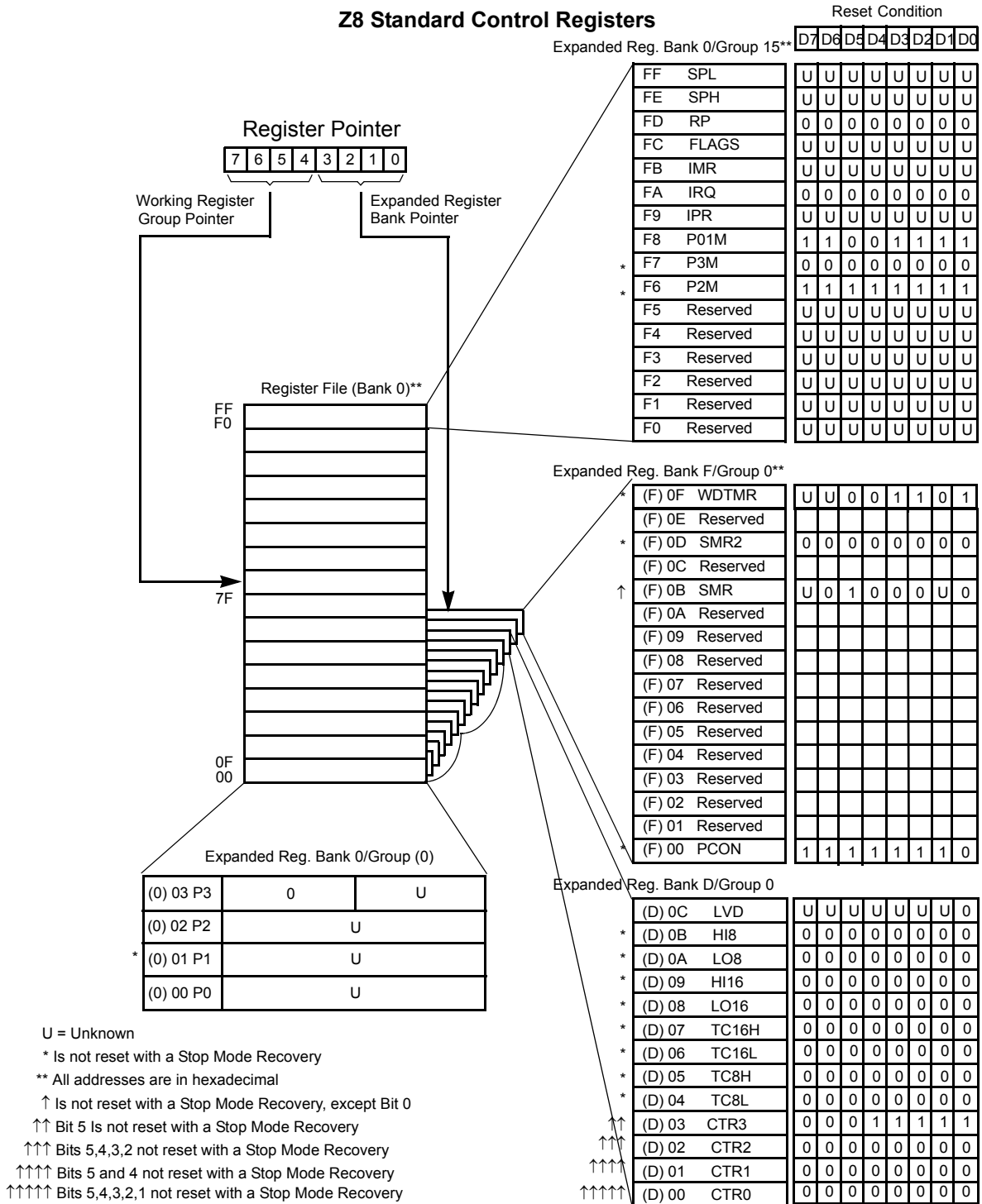


Figure 13. Expanded Register File Architecture

The upper nibble of the register pointer (see [Figure 14](#)) selects which working register group, of 16 bytes in the register file, is accessed out of the possible 256. The lower nibble selects the expanded register file bank and, in the case of the Z8 GP family, banks 0, F, and D are implemented. A 0H in the lower nibble allows the normal register file (bank 0) to be addressed. Any other value from 1H to FH exchanges the lower 16 registers to an expanded register bank.

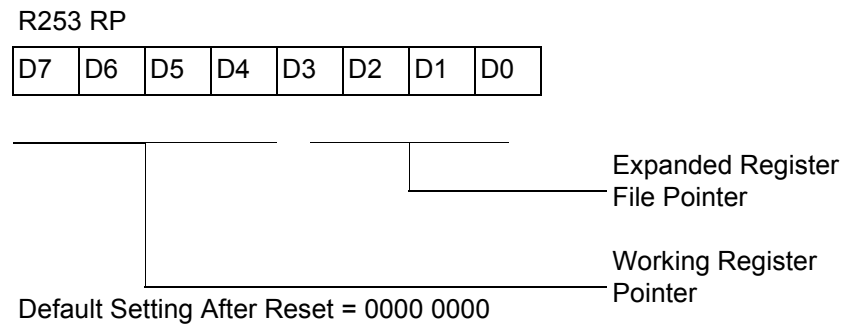


Figure 14. Register Pointer

Example: Z8 GP (see [Figure 13](#) on page 21)

R253 RP = 00h
R0 = Port 0
R1 = Port 1
R2 = Port 2
R3 = Port 3

But if:

R253 RP = 0Dh
R0 = CTRL0
R1 = CTRL1
R2 = CTRL2
R3 = Reserved

The counter/timers are mapped into ERF group D. Access is easily performed using the following:

```
LD          RP, #0Dh          ; Select ERF D
for access to bank D

; (working
register group 0)
LD          R0, #xx          ; load CTRL0
LD          1, #xx          ; load CTRL1
```

```
LD                R1, 2                ; CTRL2→CTRL1

LD                RP, #0Dh              ; Select ERF D
for access to bank D

register group 0)
LD                RP, #7Dh              ; Select
expanded register bank D and working ; register
group 7 of bank 0 for access.
LD                71h, 2
; CTRL2→register 71h
LD                R1, 2
; CTRL2→register 71h
```

Register File

The register file (bank 0) consists of 4 I/O port registers, 237 general-purpose registers, 16 control and status registers (R0–R3, R4–R239, and R240–R255, respectively), and two expanded registers groups in Banks D (see [Table 7](#)) and F. Instructions can access registers directly or indirectly through an 8-bit address field, thereby allowing a short, 4-bit register address to use the Register Pointer (see [Figure 15](#)). In the 4-bit mode, the register file is divided into 16 working register groups, each occupying 16 continuous locations. The Register Pointer addresses the starting location of the active working register group.

- **Note:** *Working register group E0–EF can only be accessed through working registers and indirect addressing modes.*

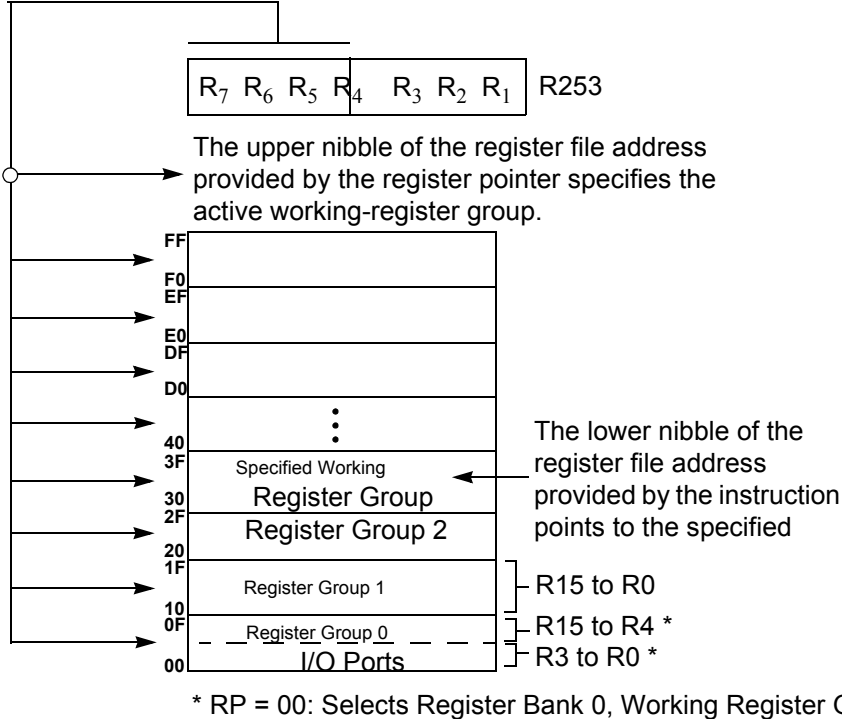


Figure 15. Register Pointer—Detail

Stack

The internal register file is used for the stack. An 8-bit Stack Pointer SPL (R255) is used for the internal stack that resides in the general-purpose registers (R4–R239). SPH (R254) can be used as a general-purpose register.

Timers

T8_Capture_HI—HI8(D)0BH

This register holds the captured data from the output of the 8-bit Counter/Timer0. Typically, this register holds the number of counts when the input signal is 1.

Field	Bit Position		Description
T8_Capture_HI	[7:0]	R/W	Captured Data—No Effect

T8_Capture_LO—L08(D)0AH

This register holds the captured data from the output of the 8-bit Counter/Timer0. Typically, this register holds the number of counts when the input signal is 0.

Field	Bit Position		Description
T8_Capture_LO	[7:0]	R/W	Captured Data—No Effect

T16_Capture_HI—HI16(D)09H

This register holds the captured data from the output of the 16-bit Counter/Timer16. This register holds the MS-Byte of the data.

Field	Bit Position		Description
T16_Capture_HI	[7:0]	R/W	Captured Data—No Effect

T16_Capture_LO—L016(D)08H

This register holds the captured data from the output of the 16-bit Counter/Timer16. This register holds the LS-Byte of the data.

Field	Bit Position		Description
T16_Capture_LO	[7:0]	R/W	Captured Data—No Effect

Counter/Timer2 MS-Byte Hold Register—TC16H(D)07H

Field	Bit Position		Description
T16_Data_HI	[7:0]	R/W	Data

Counter/Timer2 LS-Byte Hold Register—TC16L(D)06H

Field	Bit Position		Description
T16_Data_LO	[7:0]	R/W	Data

Counter/Timer8 High Hold Register—TC8H(D)05H

Field	Bit Position		Description
T8_Level_HI	[7:0]	R/W	Data

Counter/Timer8 Low Hold Register—TC8L(D)04H

Field	Bit Position		Description
T8_Level_LO	[7:0]	R/W	Data

CTR0 Counter/Timer8 Control Register—CTR0(D)00H

Table 7 lists and briefly describes the fields for this register.

Table 7. CTR0(D)00H Counter/Timer8 Control Register

Field	Bit Position		Value	Description
T8_Enable	7-----	R/W	0*	Counter Disabled
			1	Counter Enabled
			0	Stop Counter
			1	Enable Counter
Single/Modulo-N	-6-----	R/W	0	Modulo-N
			1	Single Pass
Time_Out	--5-----	R/W	0	No Counter Time-Out
			1	Counter Time-Out Occurred
			0	No Effect
			1	Reset Flag to 0
T8_Clock	---43---	R/W	0 0	SCLK
			0 1	SCLK/2
			1 0	SCLK/4
			1 1	SCLK/8
Capture_INT_Mask	----2--	R/W	0	Disable Data Capture Interrupt
			1	Enable Data Capture Interrupt

Table 7. CTR0(D)00H Counter/Timer8 Control Register (Continued)

Field	Bit Position		Value	Description
Counter_INT_Mask	-----1-	R/W	0	Disable Time-Out Interrupt
			1	Enable Time-Out Interrupt
P34_Out	-----0	R/W	0*	P34 as Port Output
			1	T8 Output on P34

*Indicates the value upon Power-On Reset.

T8 Enable

This field enables T8 when set (written) to 1.

Single/Modulo-N

When set to 0 (Modulo-N), the counter reloads the initial value when the terminal count is reached. When set to 1 (single-pass), the counter stops when the terminal count is reached.

Timeout

This bit is set when T8 times out (terminal count reached). To reset this bit, write 1 to its location.



Caution: *Writing a 1 is the only way to reset the Terminal Count status condition. Reset this bit before using/enabling the counter/timers.*

The first clock of T8 might not have complete clock width and can occur any time when enabled.



Note: *Ensure to manipulate CTR0, bit 5 and CTR1, bits 0 and 1 (DEMODULATION Mode) when using the OR or AND commands. These instructions use a Read-Modify-Write sequence in which the current status from the CTR0 and CTR1 registers is ORed or ANDed with the designated value and then written back into the registers.*

T8 Clock

This bit defines the frequency of the input signal to T8.

Capture_INT_Mask

Set this bit to allow an interrupt when data is captured into either LO8 or HI8 upon a positive or negative edge detection in DEMODULATION mode.

Counter_INT_Mask

Set this bit to allow an interrupt when T8 has a timeout.

P34_Out

This bit defines whether P34 is used as a normal output pin or the T8 output.

T8 and T16 Common Functions—CTR1(0D)01H

This register controls the functions in common with the T8 and T16.

[Table 8](#) lists and briefly describes the fields for this register.

Table 8. CTR1(0D)01H T8 and T16 Common Functions

Field	Bit Position		Value	Description
Mode	7-----	R/W	0*	TRANSMIT Mode DEMODULATION Mode
P36_Out/ Demodulator_Input	-6-----	R/W	0* 1 0 1	TRANSMIT Mode Port Output T8/T16 Output DEMODULATION Mode P31 P20
T8/T16_Logic/ Edge_Detect	--54----	R/W	00** 01 10 11 00** 01 10 11	TRANSMIT Mode AND OR NOR NAND DEMODULATION Mode Falling Edge Rising Edge Both Edges Reserved
Transmit_Submode/ Glitch_Filter	----32---	R/W	00* 01 10 11 00* 01 10 11	TRANSMIT Mode Normal Operation PING-PONG Mode T16_Out = 0 T16_Out = 1 DEMODULATION Mode No Filter 4 SCLK Cycle 8 SCLK Cycle Reserved

Table 8. CTR1(0D)01H T8 and T16 Common Functions (Continued)

Field	Bit Position		Value	Description
Initial_T8_Out/ Rising Edge	-----1-	R/W	0*	TRANSMIT Mode T8_OUT is 0 Initially
			1	T8_OUT is 1 Initially
		R	0*	DEMODULATION Mode No Rising Edge
			1	Rising Edge Detected
W	0	No Effect		
	1	Reset Flag to 0		
Initial_T16_Out/ Falling_Edge	-----0	R/W	0*	TRANSMIT Mode T16_OUT is 0 Initially
			1	T16_OUT is 1 Initially
		R	0*	DEMODULATION Mode No Falling Edge
			1	Falling Edge Detected
W	0	No Effect		
	1	Reset Flag to 0		

*Default at Power-On Reset.

**Default at Power-On Reset. Not reset with Stop Mode Recovery.

Mode

If the result is 0, the counter/timers are in TRANSMIT mode; otherwise, they are in DEMODULATION mode.

P36_Out/Demodulator_Input

In TRANSMIT mode, this bit defines whether P36 is used as a normal output pin or the combined output of T8 and T16.

In DEMODULATION mode, this bit defines whether the input signal to the Counter/Timers is from P20 or P31.

If the input signal is from Port 31, a capture event may also generate an IRQ2 interrupt. To prevent generating an IRQ2, either disable the IRQ2 interrupt by clearing its IMR bit D2 or use P20 as the input.

T8/T16_Logic/Edge_Detect

In TRANSMIT mode, this field defines how the outputs of T8 and T16 are combined (AND, OR, NOR, NAND).

In DEMODULATION mode, this field defines which edge should be detected by the edge detector.

Transmit_Submode/Glitch Filter

In TRANSMIT mode, this field defines whether T8 and T16 are in the PING-PONG mode or in independent normal operation mode. Setting this field to NORMAL OPERATION mode terminates the PING-PONG mode operation. When set to 10, T16 is immediately forced to a 0; a setting of 11 forces T16 to output a 1.

In DEMODULATION mode, this field defines the width of the glitch that must be filtered out.

Initial_T8_Out/Rising_Edge

In TRANSMIT mode, if 0, the output of T8 is set to 0 when it starts to count. If 1, the output of T8 is set to 1 when it starts to count. When the counter is not enabled and this bit is set to 1 or 0, T8_OUT is set to the opposite state of this bit. This ensures that when the clock is enabled, a transition occurs to the initial state set by CTR1, D1.

In DEMODULATION mode, this bit is set to 1 when a rising edge is detected in the input signal. In order to reset the mode, a 1 should be written to this location.

Initial_T16 Out/Falling _Edge

In TRANSMIT mode, if it is 0, the output of T16 is set to 0 when it starts to count. If it is 1, the output of T16 is set to 1 when it starts to count. This bit is effective only in Normal or PING-PONG mode (CTR1, D3; D2). When the counter is not enabled and this bit is set, T16_OUT is set to the opposite state of this bit. This ensures that when the clock is enabled, a transition occurs to the initial state set by CTR1, D0.

In DEMODULATION mode, this bit is set to 1 when a falling edge is detected in the input signal. In order to reset it, a 1 should be written to this location.

► **Note:** *Modifying CTR1 (D1 or D0) while the counters are enabled causes unpredictable output from T8/16_OUT.*

CTR2 Counter/Timer 16 Control Register—CTR2(D)02H

Table 9 lists and briefly describes the fields for this register.

Table 9. CTR2(D)02H: Counter/Timer16 Control Register

Field	Bit Position		Value	Description
T16_Enable	7-----	R	0*	Counter Disabled
			1	Counter Enabled
		W	0	Stop Counter
			1	Enable Counter
Single/Modulo-N	-6-----	R/W	0*	TRANSMIT Mode
			1	Modulo-N
			0	Single Pass
			1	DEMODULATION Mode
Time_Out	--5-----	R	0*	T16 Recognizes Edge
			1	T16 Does Not Recognize Edge
		W	0	No Counter Timeout
			1	Counter Timeout Occurred
T16_Clock	---43---	R/W	00**	No Effect
			01	Reset Flag to 0
			10	SCLK
			11	SCLK/2
Capture_INT_Mask	-----2--	R/W	0**	SCLK/4
			1	SCLK/8
Counter_INT_Mask	-----1-	R/W	0	Disable Data Capture Int.
			1	Enable Data Capture Int.
P35_Out	-----0	R/W	0*	Disable Timeout Int.
			1	Enable Timeout Int.

*Indicates the value upon Power-On Reset.

**Indicates the value upon Power-On Reset. Not reset with Stop Mode Recovery.

T16_Enable

This field enables T16 when set to 1.

Single/Modulo-N

In TRANSMIT mode, when set to 0, the counter reloads the initial value when it reaches the terminal count. When set to 1, the counter stops when the terminal count is reached.

In DEMODULATION mode, when set to 0, T16 captures and reloads on detection of all the edges. When set to 1, T16 captures and detects on the first edge but ignores the

subsequent edges. For details, see the description of T16 DEMODULATION mode on page 40.

Time_Out

This bit is set when T16 times out (terminal count reached). To reset the bit, write a 1 to this location.

T16_Clock

This bit defines the frequency of the input signal to Counter/Timer16.

Capture_INT_Mask

This bit is set to allow an interrupt when data is captured into LO16 and HI16.

Counter_INT_Mask

Set this bit to allow an interrupt when T16 times out.

P35_Out

This bit defines whether P35 is used as a normal output pin or T16 output.

CTR3 T8/T16 Control Register—CTR3(D)03H

Table 10 lists and briefly describes the fields for this register. This register allows the T₈ and T₁₆ counters to be synchronized.

Table 10. CTR3 (D)03H: T8/T16 Control Register

Field	Bit Position		Value	Description
T ₁₆ Enable	7-----	R	0*	Counter Disabled
		R	1	Counter Enabled
		W	0	Stop Counter
		W	1	Enable Counter
T ₈ Enable	-6-----	R	0*	Counter Disabled
		R	1	Counter Enabled
		W	0	Stop Counter
		W	1	Enable Counter
Sync Mode	--5-----	R/W	0**	Disable Sync Mode
			1	Enable Sync Mode
Reserved	---43210	R	1	Always reads 11111
		W	x	No Effect

*Indicates the value upon Power-On Reset.

**Indicates the value upon Power-On Reset. Not reset with Stop Mode Recovery.

Counter/Timer Functional Blocks

Input Circuit

The edge detector monitors the input signal on P31 or P20. Based on CTR1 D5–D4, a pulse is generated at the Pos Edge or Neg Edge line when an edge is detected. Glitches in the input signal that have a width less than specified (CTR1 D3, D2) are filtered out (see [Figure 16](#)).

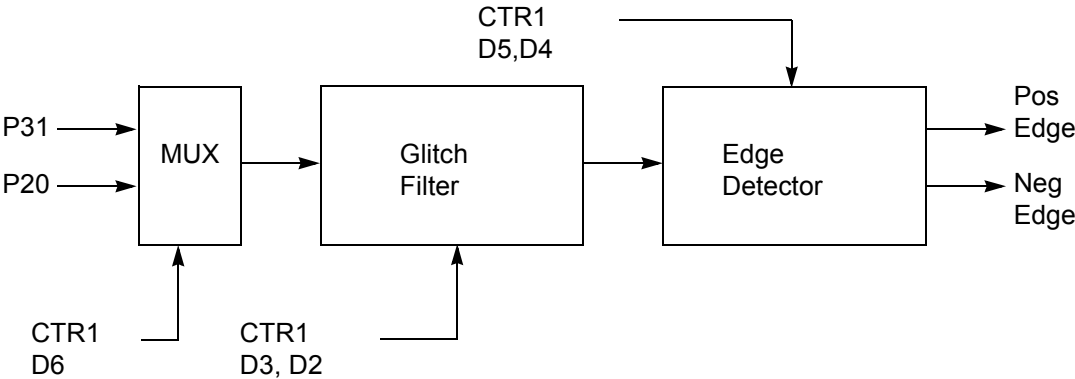


Figure 16. Glitch Filter Circuitry

T8 TRANSMIT Mode

Before T8 is enabled, the output of T8 depends on CTR1, D1. If it is 0, T8_OUT is 1; if it is 1, T8_OUT is 0. See [Figure 17](#).

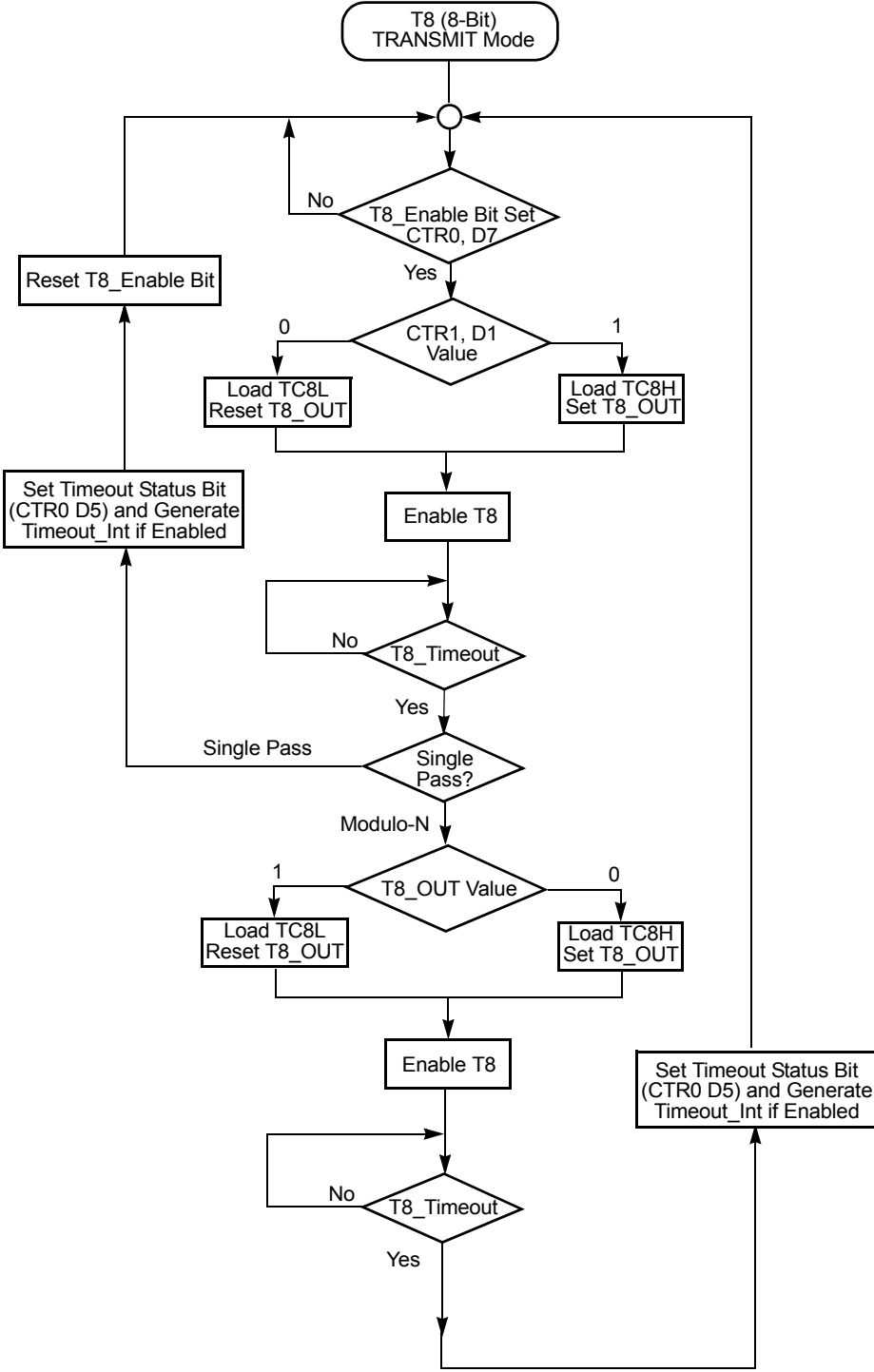


Figure 17. TRANSMIT Mode Flowchart

When T8 is enabled, the output T8_OUT switches to the initial value (CTR1, D1). If the initial value (CTR1, D1) is 0, TC8L is loaded; otherwise, TC8H is loaded into the counter. In SINGLE-PASS mode (CTR0, D6), T8 counts down to 0 and stops, T8_OUT toggles, the timeout status bit (CTR0, D5) is set, and a timeout interrupt can be generated if it is enabled (CTR0, D1). In MODULO-N mode, upon reaching terminal count, T8_OUT is toggled, but no interrupt is generated. From that point, T8 loads a new count (if the T8_OUT level now is 0), TC8L is loaded; if it is 1, TC8H is loaded. T8 counts down to 0, toggles T8_OUT, and sets the timeout status bit (CTR0, D5), thereby generating an interrupt if enabled (CTR0, D1). One cycle is thus completed. T8 then loads from TC8H or TC8L according to the T8_OUT level and repeats the cycle. See Figure 18.

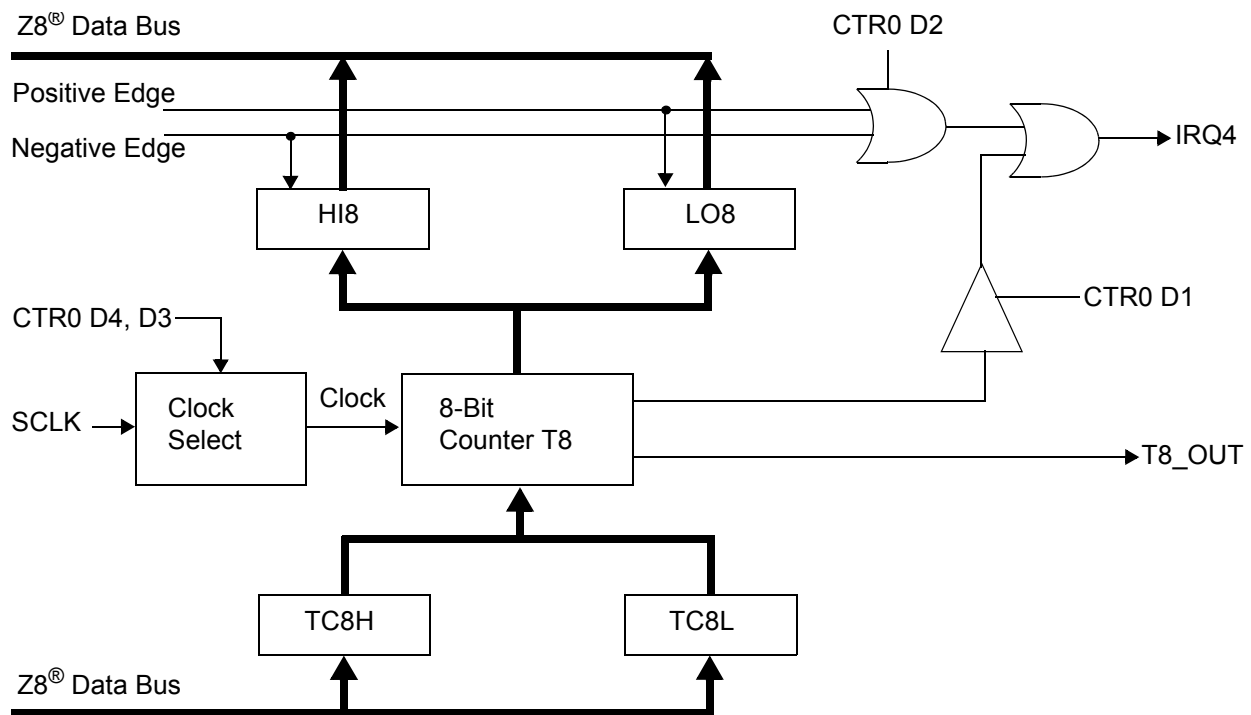


Figure 18. 8-Bit Counter/Timer Circuits

You can modify the values in TC8H or TC8L at any time. The new values take effect when they are loaded.



Caution: To ensure known operation do not write these registers at the time the values are to be loaded into the counter/timer. An initial count of 1 is not allowed (a non-function occurs). An initial count of 0 causes TC8 to count from 0 to FFh to FEh.



Note: The letter h denotes hexadecimal values.

Transition from 0 to FFh is not a timeout condition.



Caution: *Using the same instructions for stopping the counter/timers and setting the status bits is not recommended.*

Two successive commands are necessary. First, the counter/timers must be stopped. Second, the status bits must be reset. These commands are required because it takes one counter/timer clock interval for the initiated event to actually occur. See [Figure 19](#) and [Figure 20](#).

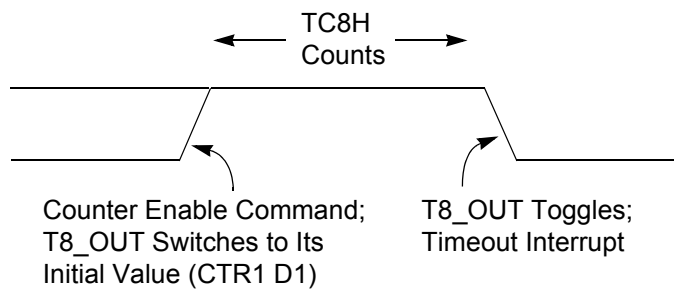


Figure 19. T8_OUT in SINGLE-PASS Mode

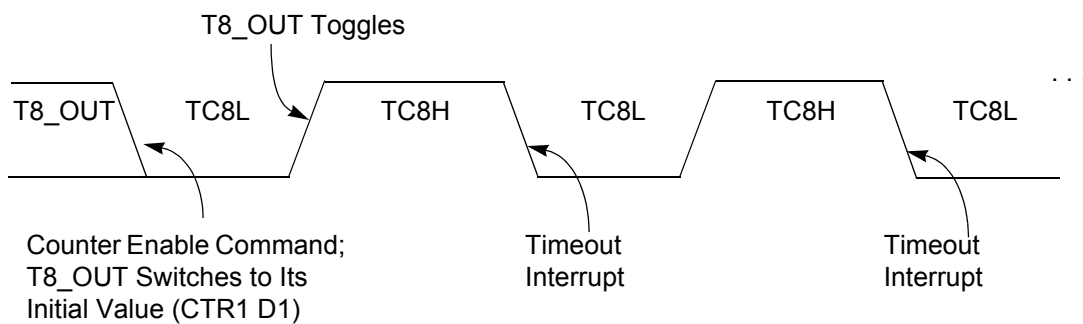


Figure 20. T8_OUT in MODULO-N Mode

T8 DEMODULATION Mode

You must program TC8L and TC8H to FFH. After T8 is enabled, when the first edge (rising, falling, or both depending on CTR1, D5; D4) is detected, it starts to count down. When a subsequent edge (rising, falling, or both depending on CTR1, D5; D4) is detected during counting, the current value of T8 is complemented and put into one of the capture registers. If it is a positive edge, data is put into LO8; if it is a negative edge, data is put into HI8. From that point, one of the edge detect status bits (CTR1, D1; D0) is set, and an interrupt can be generated if enabled (CTR0, D2). Meanwhile, T8 is loaded with FFh and starts counting again. If T8 reaches 0, the timeout status bit (CTR0, D5) is set, and an

interrupt can be generated if enabled (CTR0, D1). T8 then continues counting from FFH (see Figure 21 and Figure 22).

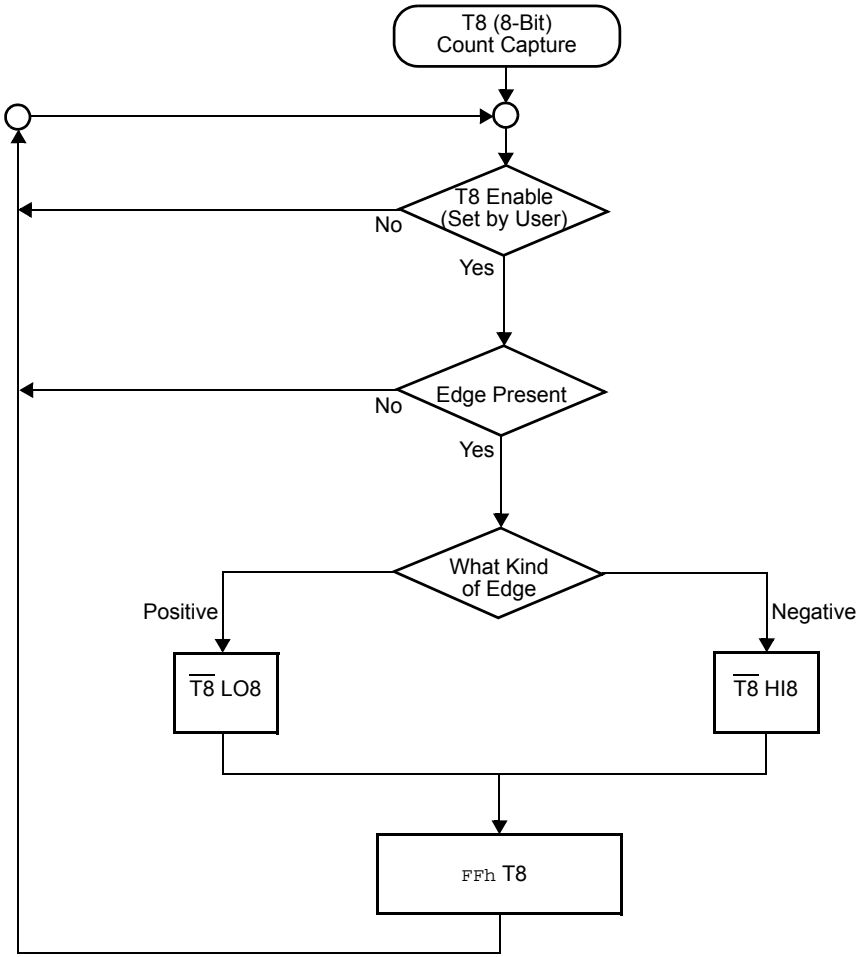


Figure 21. DEMODULATION Mode Count Capture Flowchart

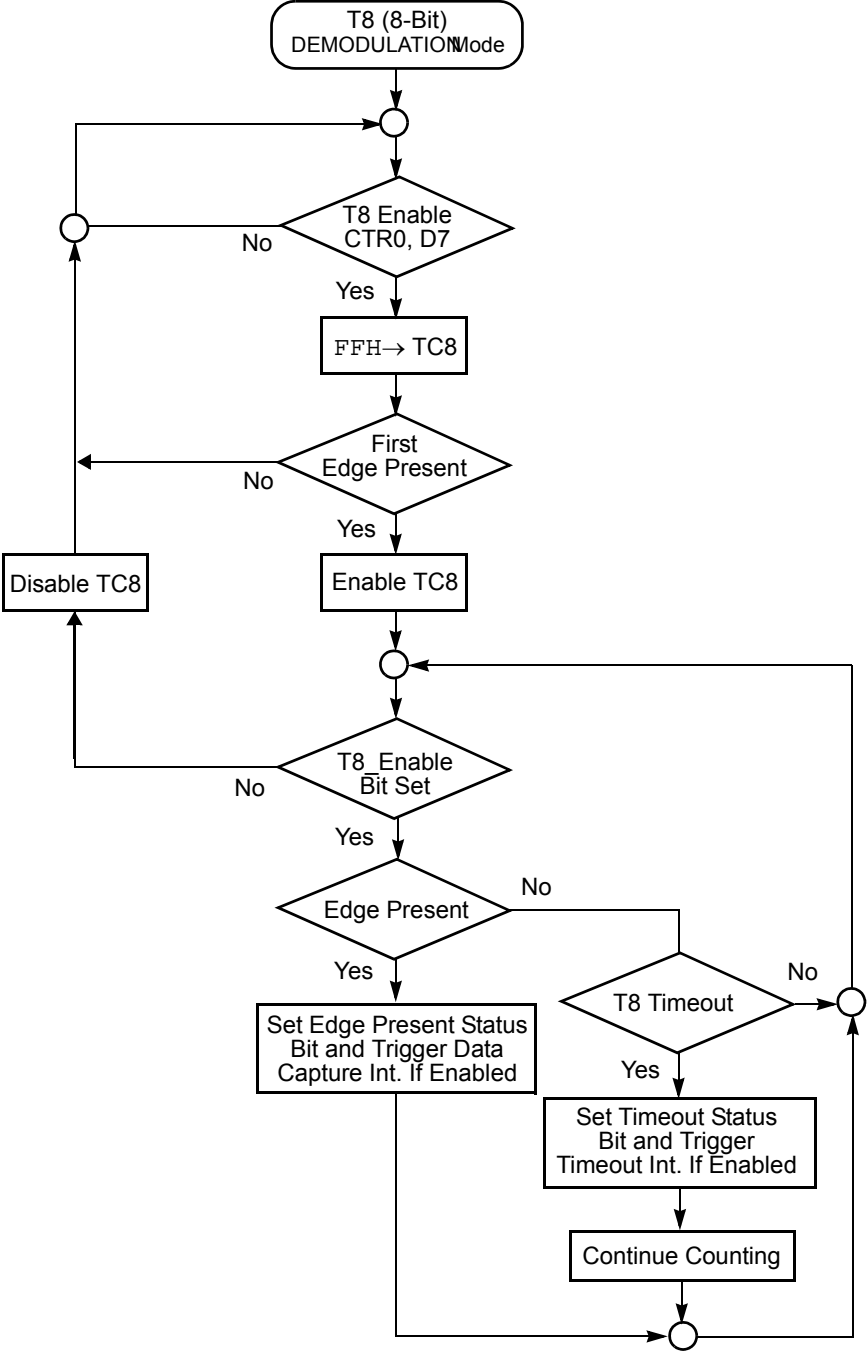


Figure 22. DEMODULATION Mode Flowchart

T16 TRANSMIT Mode

In NORMAL or PING-PONG mode, the output of T16 when not enabled, is dependent on CTR1, D0. If it is a 0, T16_OUT is a 1; if it is a 1, T16_OUT is 0. You can force the output of T16 to either a 0 or 1 whether it is enabled or not by programming CTR1 D3; D2 to a 10 or 11.

When T16 is enabled, TC16H * 256 + TC16L is loaded, and T16_OUT is switched to its initial value (CTR1, D0). When T16 counts down to 0, T16_OUT is toggled (in NORMAL or PING-PONG mode), an interrupt (CTR2, D1) is generated (if enabled), and a status bit (CTR2, D5) is set. See [Figure 23](#).

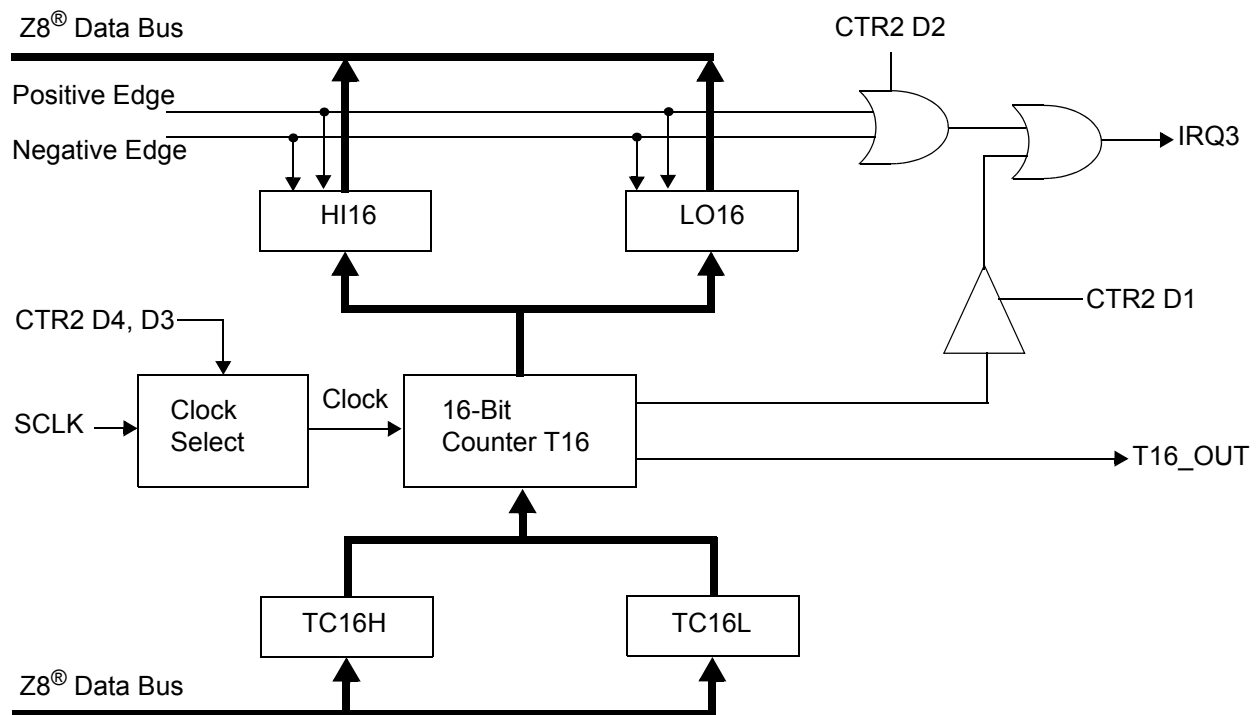


Figure 23. 16-Bit Counter/Timer Circuits

► **Note:** *Global interrupts override this function as described in [Interrupts](#) on page 43.*

If T16 is in SINGLE-PASS mode, it is stopped at this point (see [Figure 24](#)). If it is in MODULO-N mode, it is loaded with TC16H * 256 + TC16L, and the counting continues (see [Figure 25](#)).

You can modify the values in TC16H and TC16L at any time. The new values take effect when they are loaded.



Caution: Do not load these registers at the time the values are to be loaded into the counter/timer to ensure known operation. An initial count of 1 is not allowed. An initial count of 0 causes T16 to count from 0 to FFFFH to FFFEH. Transition from 0 to FFFFH is not a timeout condition.

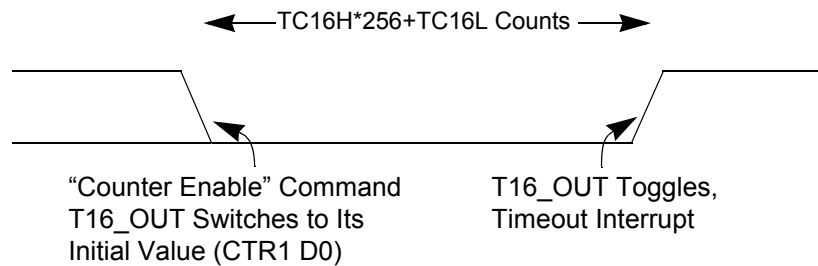


Figure 24. T16_OUT in SINGLE-PASS Mode

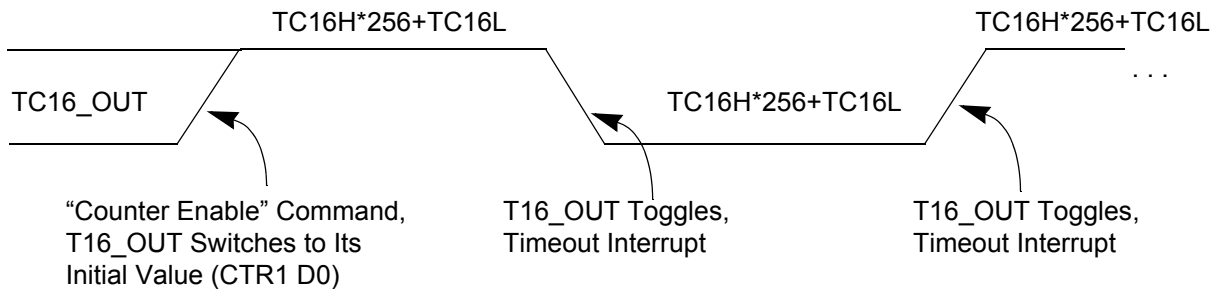


Figure 25. T16_OUT in MODULO-N Mode

T16 DEMODULATION Mode

You must program TC16L and TC16H to FFH. After T16 is enabled, and the first edge (rising, falling, or both depending on CTR1 D5; D4) is detected, T16 captures HI16 and LO16, reloads, and begins counting.

If D6 of CTR2 Is 0

When a subsequent edge (rising, falling, or both depending on CTR1, D5; D4) is detected during counting, the current count in T16 is complemented and put into HI16 and LO16. When data is captured, one of the edge detect status bits (CTR1, D1; D0) is set, and an interrupt is generated if enabled (CTR2, D2). T16 is loaded with FFFFH and starts again.

This T16 mode is generally used to measure space time, the length of time between bursts of carrier signal (marks).

If D6 of CTR2 Is 1

T16 ignores the subsequent edges in the input signal and continues counting down. A timeout of T8 causes T16 to capture its current value and generate an interrupt if enabled (CTR2, D2). In this case, T16 does not reload and continues counting. If the D6 bit of CTR2 is toggled (by writing a 0 then a 1 to it), T16 captures and reloads on the next edge (rising, falling, or both depending on CTR1, D5; D4), continuing to ignore subsequent edges.

This T16 mode generally measures mark time, the length of an active carrier signal burst.

If T16 reaches 0, T16 continues counting from FFFFh. Meanwhile, a status bit (CTR2 D5) is set, and an interrupt timeout can be generated if enabled (CTR2 D1).

PING-PONG Mode

This operation mode is only valid in TRANSMIT mode. T8 and T16 must be programmed in SINGLE-PASS mode (CTR0, D6; CTR2, D6), and PING-PONG mode must be programmed in CTR1, D3; D2. You can begin the operation by enabling either T8 or T16 (CTR0, D7 or CTR2, D7). For example, if T8 is enabled, T8_OUT is set to this initial value (CTR1, D1). According to T8_OUT's level, TC8H or TC8L is loaded into T8. After the terminal count is reached, T8 is disabled, and T16 is enabled. T16_OUT then switches to its initial value (CTR1, D0), data from TC16H and TC16L is loaded, and T16 starts to count. After T16 reaches the terminal count, it stops, T8 is enabled again, repeating the entire cycle. Interrupts can be allowed when T8 or T16 reaches terminal control (CTR0, D1; CTR2, D1). To stop the ping-pong operation, write 00 to bits D3 and D2 of CTR1. See Figure 26.

► **Note:** *Enabling ping-pong operation while the counter/timers are running might cause intermittent counter/timer function. Disable the counter/timers and reset the status flags before instituting this operation.*

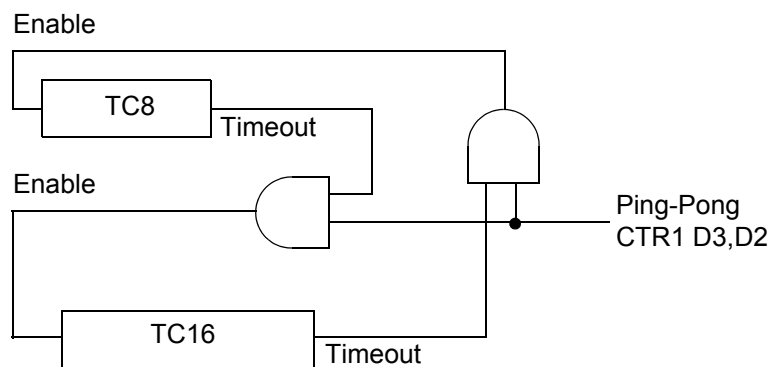


Figure 26. PING-PONG Mode Diagram

Initiating PING-PONG Mode

First, ensure both counter/timers are not running. Set T8 into SINGLE-PASS mode (CTR0, D6), set T16 into SINGLE-PASS mode (CTR2, D6), and set the PING-PONG mode (CTR1, D2; D3). These instructions can be in random order. Finally, start PING-PONG mode by enabling either T8 (CTR0, D7) or T16 (CTR2, D7). See [Figure 27](#).

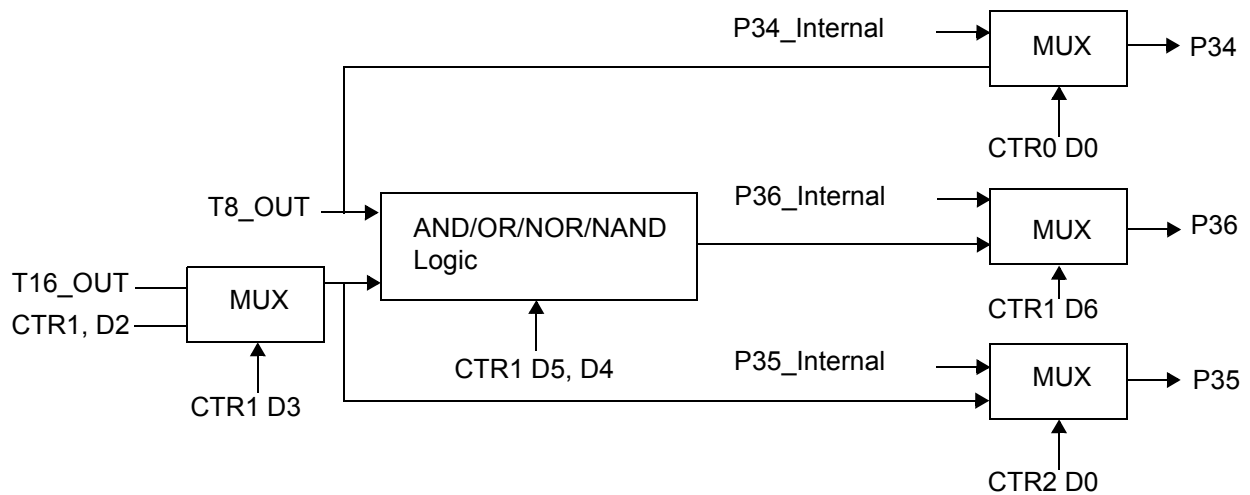


Figure 27. Output Circuit

The initial value of T8 or T16 must not be 1. Stopping the timer and restarting the timer reloads the initial value to avoid an unknown previous value.

During PING-PONG Mode

The enable bits of T8 and T16 (CTR0, D7; CTR2, D7) are set and cleared alternately by hardware. The timeout bits (CTR0, D5; CTR2, D5) are set every time the counter/timers reach the terminal count.

Timer Output

The output logic for the timers is displayed in [Figure 27](#). P34 is used to output T8-OUT when D0 of CTR0 is set. P35 is used to output the value of T16-OUT when D0 of CTR2 is set. When D6 of CTR1 is set, P36 outputs the logic combination of T8-OUT and T16-OUT determined by D5 and D4 of CTR1.

Interrupts

The ZGP323L features six different interrupts (see [Table 11](#)). The interrupts are maskable and prioritized (see [Figure 28](#)). The six sources are divided as follows: three sources are claimed by Port 3 lines P33–P31, two by the counter/timers and one for low-voltage detection. The Interrupt Mask Register (globally or individually) enables or disables the six interrupt requests.

The source for IRQ is determined by bit 1 of the Port 3 mode register (P3M). When in digital mode, Pin P33 is the source. When in analog mode the output of the Stop Mode Recovery source logic is used as the source for the interrupt. See [Figure 33](#) on page 52.

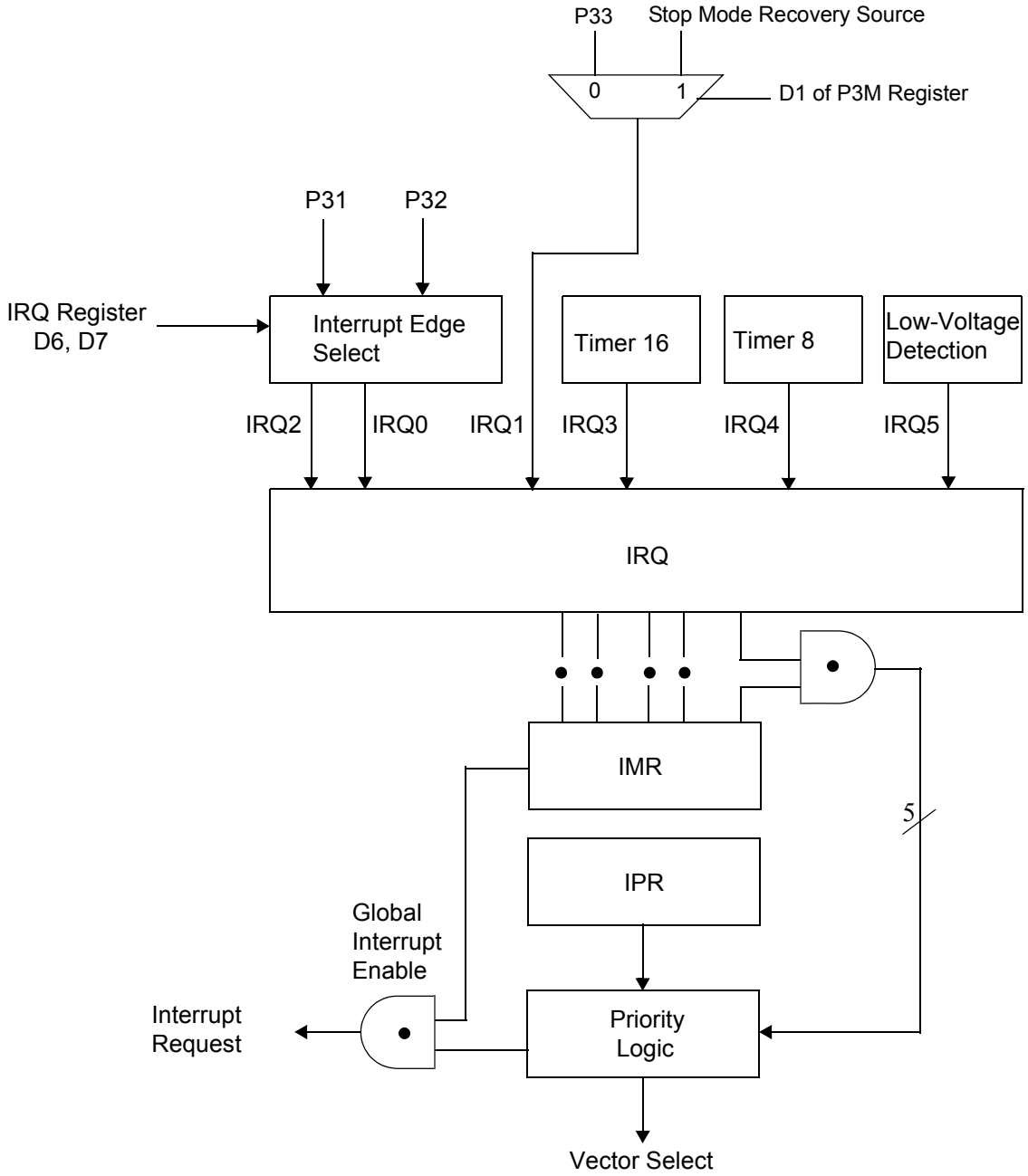


Figure 28. Interrupt Block Diagram

Table 11. Interrupt Types, Sources, and Vectors

Name	Source	Vector Location	Comments
IRQ0	P32	0,1	External (P32), Rising, Falling Edge Triggered
IRQ1	P33	2,3	External (P33), Falling Edge Triggered
IRQ2	P31, T _{IN}	4,5	External (P31), Rising, Falling Edge Triggered
IRQ3	T16	6,7	Internal
IRQ4	T8	8,9	Internal
IRQ5	LVD	10,11	Internal

When more than one interrupt is pending, priorities are resolved by a programmable priority encoder controlled by the Interrupt Priority register. An interrupt machine cycle activates when an interrupt request is granted. As a result, all subsequent interrupts are disabled, and the Program Counter and Status Flags are saved. The cycle then branches to the Program Memory vector location reserved for that interrupt. All ZGP323L interrupts are vectored through locations in the Program Memory. This memory location and the next byte contain the 16-bit address of the interrupt service routine for that particular interrupt request. To accommodate polled interrupt systems, interrupt inputs are masked, and the Interrupt Request register is polled to determine which of the interrupt requests require service.

An interrupt resulting from AN1 is mapped into IRQ2, and an interrupt from AN2 is mapped into IRQ0. Interrupts IRQ2 and IRQ0 can be rising, falling, or both edge triggered. These interrupts are user-programmable. The software can poll to identify the state of the pin.

Programming bits for the Interrupt Edge Select are located in the IRQ register (R250), bits D7 and D6. The configuration is indicated in [Table 12](#).

Table 12. IRQ Register

IRQ		Interrupt Edge	
D7	D6	IRQ2 (P31)	IRQ0 (P32)
0	0	F	F
0	1	F	R
1	0	R	F
1	1	R/F	R/F

Note: F = Falling Edge; R = Rising Edge

Clock

The device's on-chip oscillator has a high-gain, parallel-resonant amplifier, for connection to a crystal, ceramic resonator, or any suitable external clock source (XTAL1 = Input, XTAL2 = Output). The crystal must be AT cut, 1 MHz to 8 MHz maximum, with a series resistance (RS) less than or equal to 100 Ω . The on-chip oscillator can be driven with a suitable external clock source.

The crystal must be connected across XTAL1 and XTAL2 using the recommended capacitors from each pin to ground. The typical capacitor value is 10 pF for 8 MHz. Also check with the crystal supplier for the optimum capacitance.

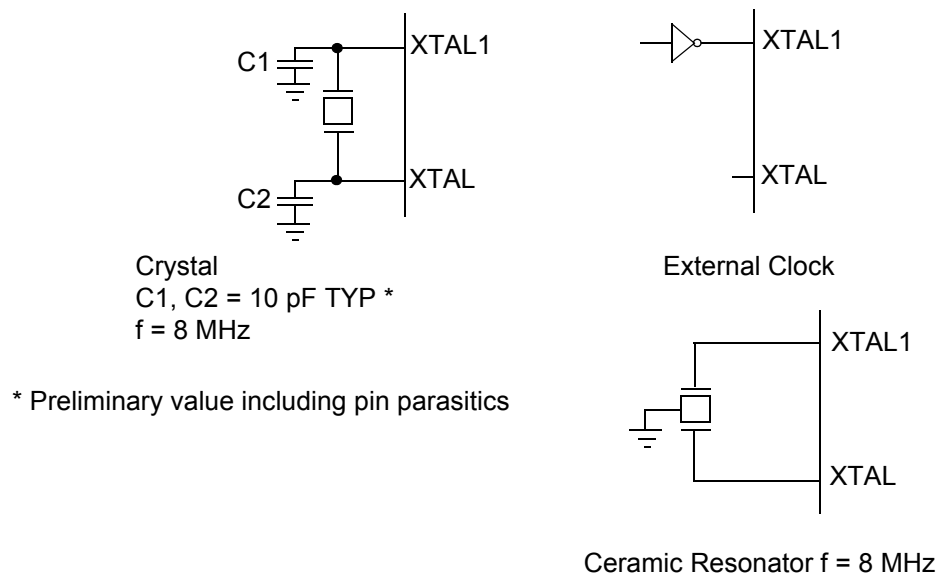


Figure 29. Oscillator Configuration

ZGP323L supports crystal, resonator, and oscillator. Most resonators have a frequency tolerance of less than +/-0.5% which is adequate for remote control applications. The typical resonator has a very fast start up time on the order of a few hundred microseconds.

Most crystals have a frequency tolerance of less than 50 ppm (+/-0.005%). Crystal oscillators, however, require a much longer start-up time because the large loading capacitance slows down oscillation start-up. Zilog[®] recommends using loading capacitors of no more than 10 pF for crystal oscillators. If the stray capacitance of the PCB or the crystal is High, the loading capacitance C1 and C2 should be further reduced to ensure stable oscillation before T_{POR} (Power-On Reset Time is typically 5-6 ms. See [Table 23](#) on page 83, for more information).

For Stop Mode Recovery operation, Bit 5 of the SMR register allows you to select the Stop Mode Recovery delay (T_{POR}). If it is not selected, the MCU will execute instruction

immediately after it wakes up from STOP mode. The Stop Mode Recovery delay must be selected (bit 5 of SMR = 1) if resonator or crystal is used as clock source.

For resonator and crystal oscillation, the oscillation ground must go directly to the ground pin of the microcontroller. It should use the shortest distant and isolate from other connection.

Power-On Reset

A timer circuit clocked by a dedicated on-board RC-oscillator is used for the Power-On Reset timer function. The POR time allows V_{DD} and the oscillator circuit to stabilize before instruction execution begins.

The POR timer circuit is a one-shot timer triggered by one of three conditions:

- Power Fail to Power OK status, including Waking up from V_{BO} Standby
- Stop Mode Recovery (if D5 of SMR = 1)
- WDT Timeout

The POR timer is 2.5 ms minimum. Bit 5 of the Stop Mode register determines whether the POR timer is bypassed after Stop Mode Recovery (typical for external clock).

HALT Mode

This instruction turns OFF the internal CPU clock, but not the XTAL oscillation. The counter/timers and external interrupts IRQ0, IRQ1, IRQ2, IRQ3, IRQ4, and IRQ5 remain active. The devices are recovered by interrupts, either externally or internally generated. An interrupt request must be executed (enabled) to exit HALT mode. After the interrupt service routine, the program continues from the instruction after HALT mode.

STOP Mode

This instruction turns OFF the internal clock and external crystal oscillation, reducing the standby current to 10 μ A or less. STOP mode is terminated only by a reset, such as WDT timeout, POR, SMR or external reset. This condition causes the processor to restart the application program at address 000CH. To enter STOP (or HALT) mode, first flush the instruction pipeline to avoid suspending execution in mid-instruction. Execute a NOP (Opcode = FFH) immediately before the appropriate sleep instruction, as follows:

```
FF          NOP          ; clear the pipeline
6F          Stop        ; enter Stop Mode
```

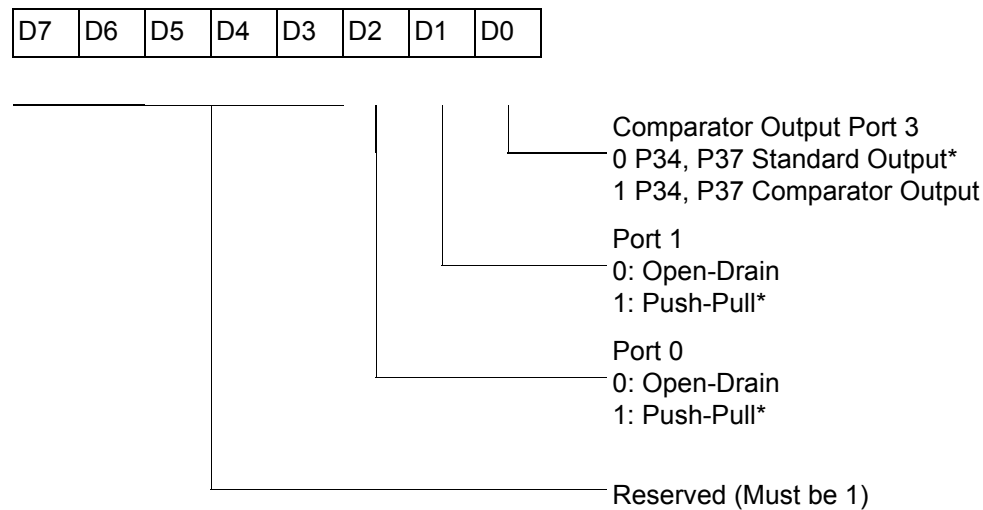
or

```
FF          NOP          ; clear the pipeline
7F          HALT        ; enter HALT Mode
```

Port Configuration Register

The Port Configuration (PCON) register (see [Figure 30](#)) configures the comparator output on Port 3. It is located in the expanded register 2 at Bank F, location 00.

PCON(FH)00H



* Default setting after reset.

Figure 30. Port Configuration Register (PCON) (Write Only)

Comparator Output Port 3 (D0)

Bit 0 controls the comparator used in Port 3. A 1 in this location brings the comparator outputs to P34 and P37, and a 0 releases the Port to its standard I/O configuration.

Port 1 Output Mode (D1)

Bit 1 controls the output mode of port 1. A 1 in this location sets the output to push-pull, and a 0 sets the output to open-drain.

Port 0 Output Mode (D2)

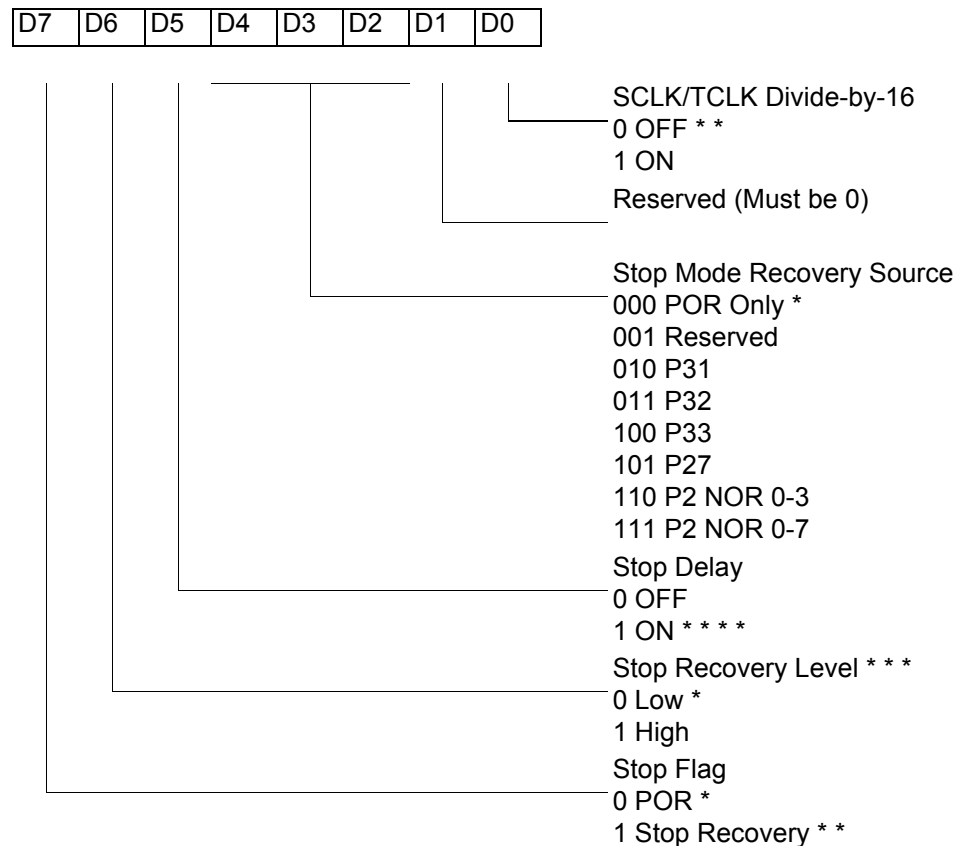
Bit 2 controls the output mode of port 0. A 1 in this location sets the output to push-pull, and a 0 sets the output to open-drain.

Stop Mode Recovery Register (SMR)

This register selects the clock divide value and determines the mode of Stop Mode Recovery (see [Figure 31](#)). All bits are write only except bit 7, which is read only. Bit 7 is a flag bit that is hardware set on the condition of Stop recovery and reset by a power-on

cycle. Bit 6 controls whether a low level or a high level at the XOR-gate input (see [Figure 33](#) on page 52) is required from the recovery source. Bit 5 controls the reset delay after recovery. Bits D2, D3, and D4 of the SMR register specify the source of the Stop Mode Recovery signal. Bits D0 determines if SCLK/TCLK are divided by 16 or not. The SMR is located in Bank F of the Expanded Register Group at address 0BH.

SMR(0F)0BH



* Default after Power-On Reset or Watchdog Reset.
 ** Set after Stop Mode Recovery.
 *** At the XOR gate input.
 **** Default setting after reset. Must be 1 if using a crystal or resonator clock source.

Figure 31. Stop Mode Recovery Register

SCLK/TCLK Divide-by-16 Select (D0)

D0 of the SMR controls a divide-by-16 prescaler of SCLK/TCLK (see [Figure 32](#)). This control selectively reduces device power consumption during normal processor execution

(SCLK control) and/or HALT mode (where TCLK sources interrupt logic). After Stop Mode Recovery, this bit is set to a 0.

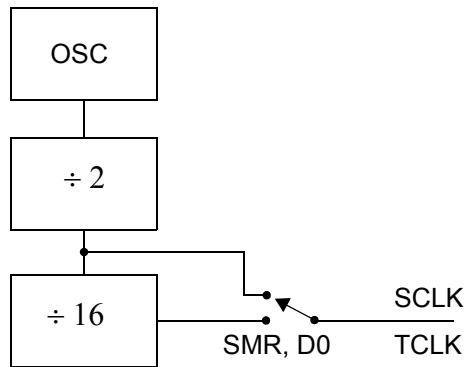


Figure 32. SCLK Circuit

Stop Mode Recovery Source (D2, D3, and D4)

These three bits of the SMR specify the wake-up source of the Stop recovery (see [Figure 33](#) and [Table 14](#)).

Stop Mode Recovery Register 2—SMR2(F)0DH

[Table 13](#) lists and briefly describes the fields for this register.

Table 13. SMR2(F)0DH:Stop Mode Recovery Register 2*

Field	Bit Position	Value	Description
Reserved	7-----	0	Reserved (Must be 0)
Recovery Level	-6-----	W 0 [†] 1	Low High
Reserved	--5-----	0	Reserved (Must be 0)

Table 13. SMR2(F)0DH:Stop Mode Recovery Register 2* (Continued)

Field	Bit Position	Value	Description	
Source	---432--	W	000 [†]	A. POR Only
			001	B. NAND of P23–P20
			010	C. NAND of P27–P20
			011	D. NOR of P33–P31
			100	E. NAND of P33–P31
			101	F. NOR of P33–P31, P00, P07
			110	G. NAND of P33–P31, P00, P07
			111	H. NAND of P33–P31, P22–P20
Reserved	-----10	00	Reserved (Must be 0)	

* Port pins configured as outputs are ignored as a SMR recovery source.

[†] Indicates the value upon Power-On Reset.

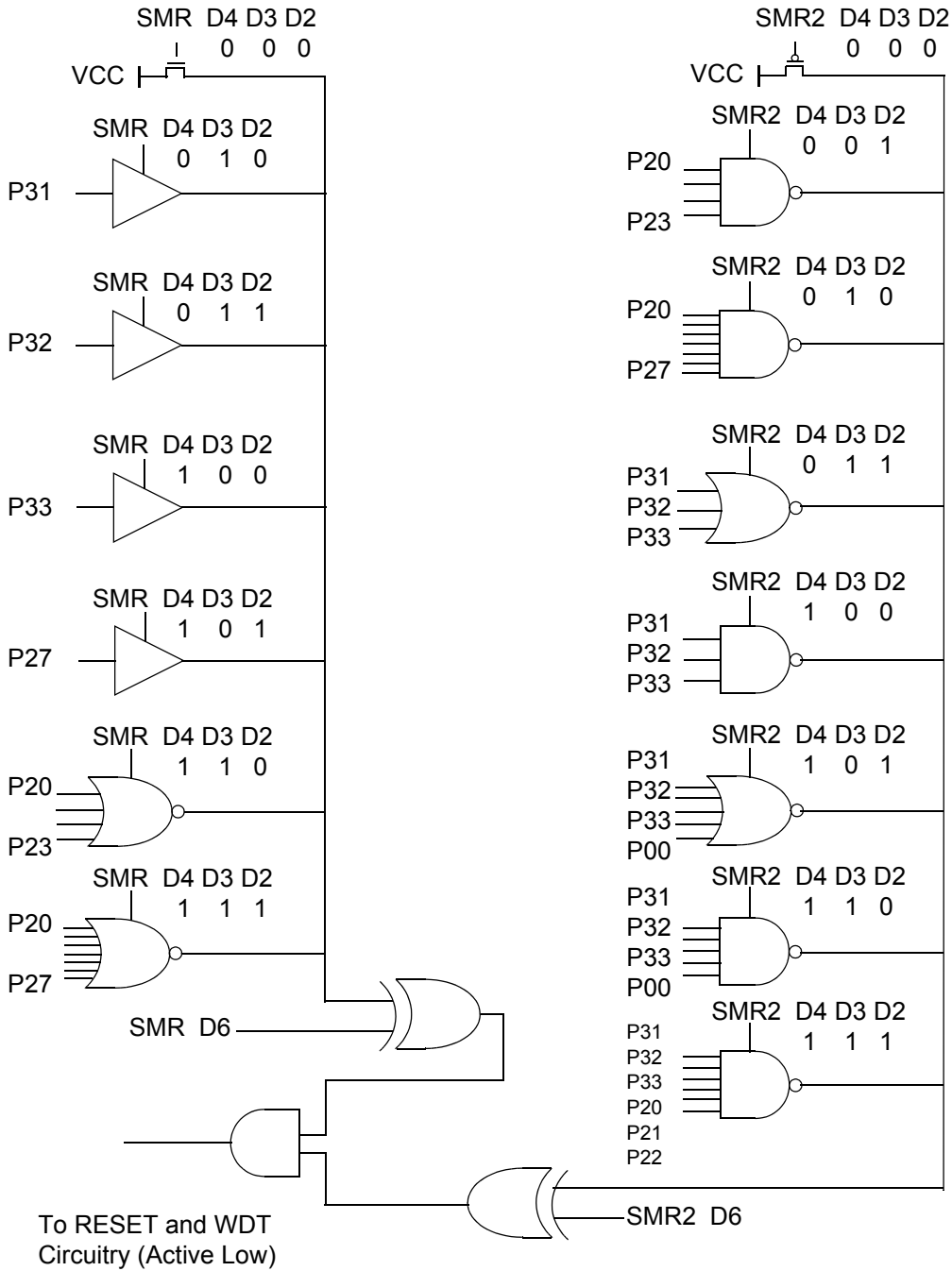


Figure 33. Stop Mode Recovery Source

Table 14. Stop Mode Recovery Source

SMR:432			Operation
D4	D3	D2	Description of Action
0	0	0	POR and/or external reset recovery
0	0	1	Reserved
0	1	0	P31 transition
0	1	1	P32 transition
1	0	0	P33 transition
1	0	1	P27 transition
1	1	0	Logical NOR of P20 through P23
1	1	1	Logical NOR of P20 through P27

- **Note:** *Any Port 2 bit defined as an output drives the corresponding input to the default state. For example, if the NOR of P23-P20 is selected as the recovery source and P20 is configured as an output, the remaining SMR pins (P23-P21) form the NOR equation. This condition allows the remaining inputs to control the AND/OR function. See SMR2 register on page 54 for other recover sources.*

Stop Mode Recovery Delay Select (D5)

This bit, if Low, disables the T_{POR} delay after Stop Mode Recovery. The default configuration of this bit is 1. If the ‘fast’ wake up is selected, the Stop Mode Recovery source must be kept active for at least 5 T_{pC} .

- **Note:** *It is recommended that this bit be set to 1 if using a crystal or resonator clock source. The T_{POR} delay allows the clock source to stabilize before executing instructions.*

Stop Mode Recovery Edge Select (D6)

A 1 in this bit position indicates that a High level on any one of the recovery sources wakes the device from STOP mode. A 0 indicates Low level recovery. The default is 0 on POR.

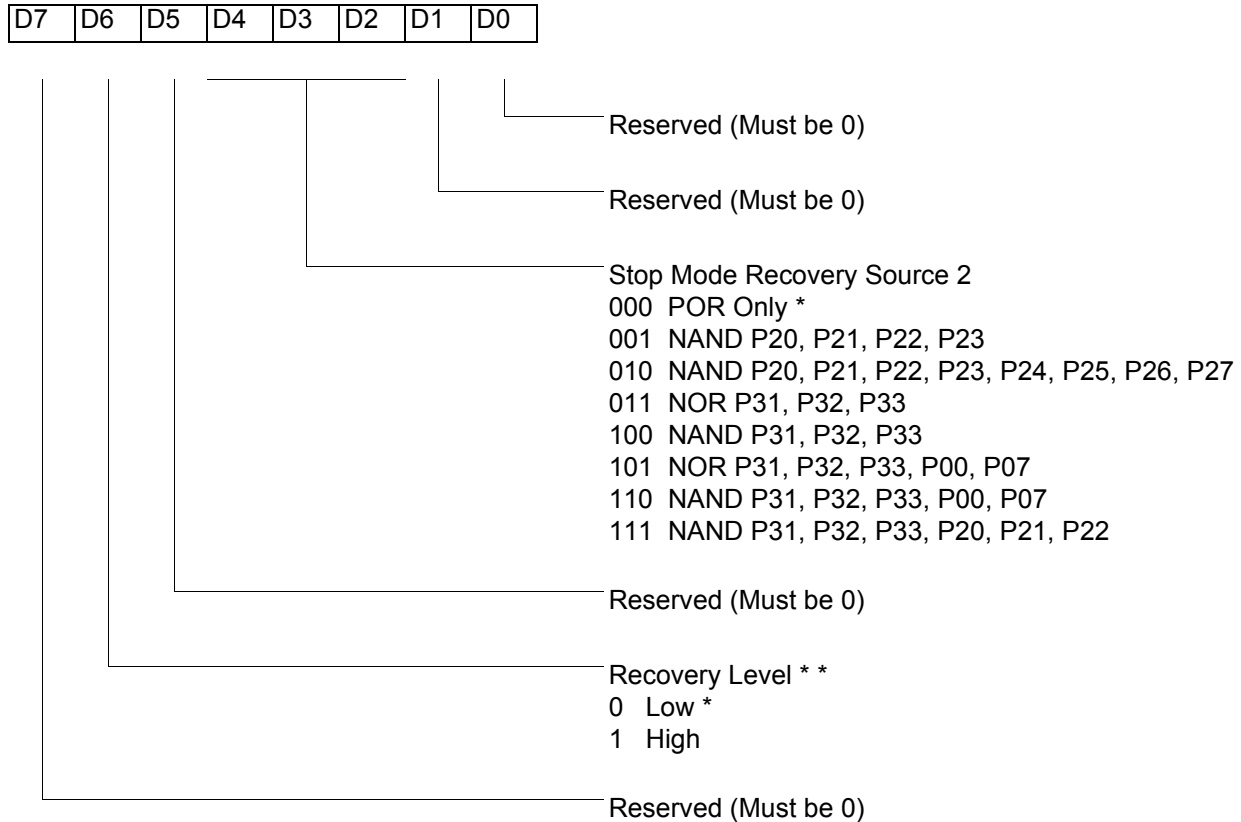
Cold or Warm Start (D7)

This bit is read only. It is set to 1 when the device is recovered from STOP mode. The bit is set to 0 when the device reset is other than Stop Mode Recovery.

Stop Mode Recovery Register 2 (SMR2)

This register determines the mode of Stop Mode Recovery for SMR2 (Figure 34).

SMR2(0F)DH



Note: If used in conjunction with SMR, either of the two specified events causes a Stop Mode Recovery.

* Default setting after reset.

** At the XOR gate input.

Figure 34. Stop Mode Recovery Register 2 ((0F)DH:D2–D4, D6 Write Only)

If SMR2 is used in conjunction with SMR, either of the specified events causes a Stop Mode Recovery.

► **Note:** Port pins configured as outputs are ignored as an SMR or SMR2 recovery source. For example, if the NAND or P23–P20 is selected as the recovery source and P20 is configured as an output, the remaining SMR pins (P23–P21) form the NAND equation.

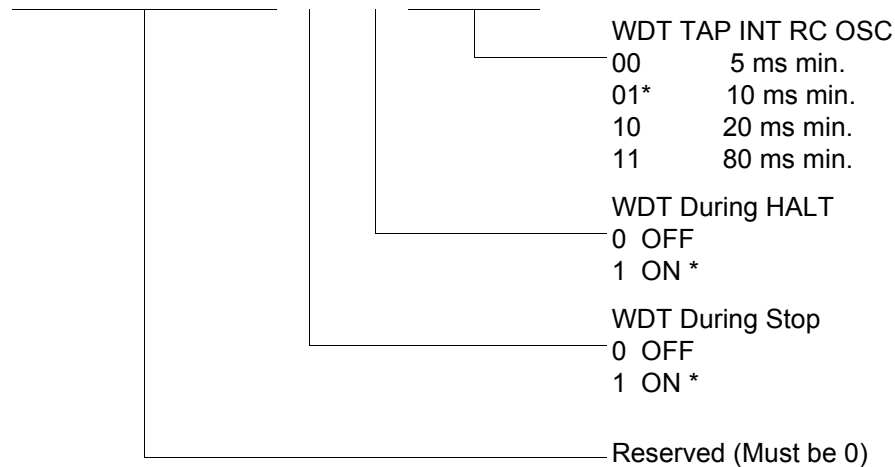
Watchdog Timer Mode Register (WDTMR)

The Watchdog Timer (WDT) is a retriggerable one-shot timer that resets the Z8[®] CPU if it reaches its terminal count. The WDT must initially be enabled by executing the WDT instruction. On subsequent executions of the WDT instruction, the WDT is refreshed. The WDT circuit is driven by an on-board RC-oscillator. The WDT instruction affects the Zero (Z), Sign (S), and Overflow (V) flags.

The POR clock source the internal RC-oscillator. Bits 0 and 1 of the WDT register control a tap circuit that determines the minimum timeout period. Bit 2 determines whether the WDT is active during HALT, and Bit 3 determines WDT activity during Stop. Bits 4 through 7 are reserved (Figure 35). This register is accessible only during the first 60 processor cycles (120 XTAL clocks) from the execution of the first instruction after Power-On-Reset, Watchdog Reset, or a Stop Mode Recovery (Figure 34). After this point, the register cannot be modified by any means (intentional or otherwise). The WDTMR cannot be read. The register is located in Bank F of the Expanded Register Group at address location 0Fh. It is organized as shown in Figure 35.

WDTMR(0F)0Fh

D7	D6	D5	D4	D3	D2	D1	D0
----	----	----	----	----	----	----	----



* Default setting after reset.

Figure 35. Watchdog Timer Mode Register (Write Only)

WDT Time Select (D0, D1)

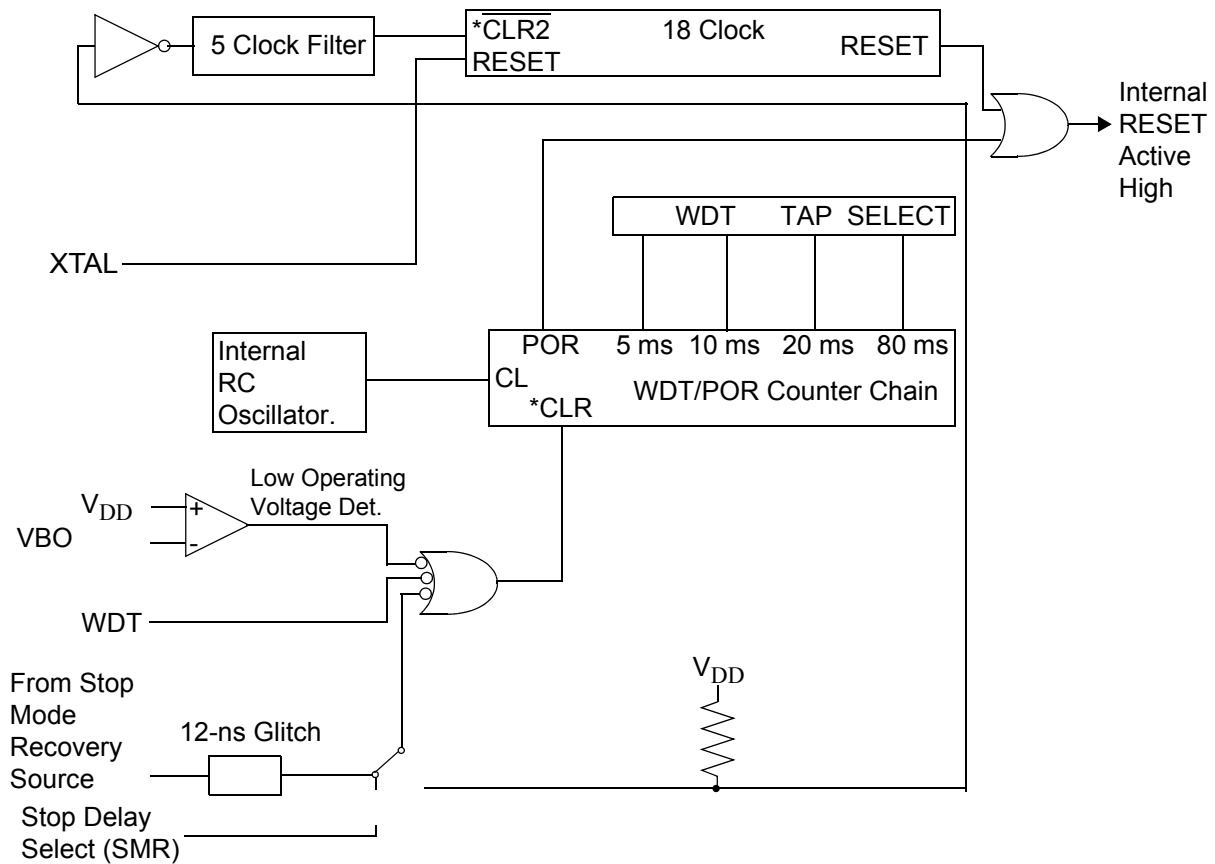
This bit selects the WDT time period. It is configured as indicated in Table 15.

Table 15. Watchdog Timer Time Select

D1	D0	Timeout of Internal RC-Oscillator
0	0	5 ms min.
0	1	10 ms min.
1	0	20 ms min.
1	1	80 ms min.

WDTMR During Halt (D2)

This bit determines whether or not the WDT is active during HALT mode. A 1 indicates active during HALT. The default is 1. See [Figure 36](#).



* CLR1 and $\overline{CLR2}$ enable the WDT/POR and 18 Clock Reset timers respectively upon a Low-to-High input.

Figure 36. Resets and WDT

WDTMR During STOP (D3)

This bit determines whether or not the WDT is active during STOP mode. Because the XTAL clock is stopped during STOP mode, the on-board RC has to be selected as the clock source to the WDT/POR counter. A 1 indicates active during Stop. The default is 1.

EPROM Selectable Options

There are seven EPROM Selectable Options to choose from based on ROM code requirements. These options are listed in [Table 16](#).

Table 16. EPROM Selectable Options

Port 00–03 Pull-Ups	ON/OFF
Port 04–07 Pull-Ups	ON/OFF
Port 10–13 Pull-Ups	ON/OFF
Port 14–17 Pull-Ups	ON/OFF
Port 20–27 Pull-Ups	ON/OFF
EPROM Protection	ON/OFF
Watchdog Timer at Power-On Reset	ON/OFF

Voltage Brownout/Standby

An on-chip Voltage Comparator checks that the V_{DD} is at the required level for correct operation of the device. Reset is globally driven when V_{DD} falls below V_{BO} . A small drop in V_{DD} causes the XTAL1 and XTAL2 circuitry to stop the crystal or resonator clock. If the V_{DD} is allowed to stay above V_{RAM} , the RAM content is preserved. When the power level is returned to above V_{BO} , the device performs a POR and functions normally.

Low-Voltage Detection Register—LVD(D)0Ch

► **Note:** *Voltage detection does not work at STOP mode. It must be disabled during STOP mode in order to reduce current.*

Field	Bit Position	Description		
LVD	76543---	Reserved No Effect		
	----2--	R	1 0*	HVD flag set HVD flag reset
	-----1-	R	1 0*	LVD flag set LVD flag reset
	-----0	R/W	1 0*	Enable VD Disable VD

*Default after POR.

- **Note:** *Do not modify register P01M while checking a low-voltage condition. Switching noise of both ports 0 and 1 together might trigger the LVD flag.*

Voltage Detection and Flags

The Voltage Detection register (LVD, register 0Ch at the expanded register bank 0Dh) offers an option of monitoring the V_{CC} voltage. The Voltage Detection is enabled when bit 0 of LVD register is set. Once Voltage Detection is enabled, the V_{CC} level is monitored in real time. The flags in the LVD register valid 20 μ s after Voltage Detection is enabled. The HVD flag (bit 2 of the LVD register) is set only if V_{CC} is higher than V_{HVD} . The LVD flag (bit 1 of the LVD register) is set only if V_{CC} is lower than the V_{LVD} . When Voltage Detection is enabled, the LVD flag also triggers IRQ5. The IRQ bit 5 latches the low voltage condition until it is cleared by instructions or reset. The IRQ5 interrupt is served if it is enabled in the IMR register. Otherwise, bit 5 of IRQ register is latched as a flag only.

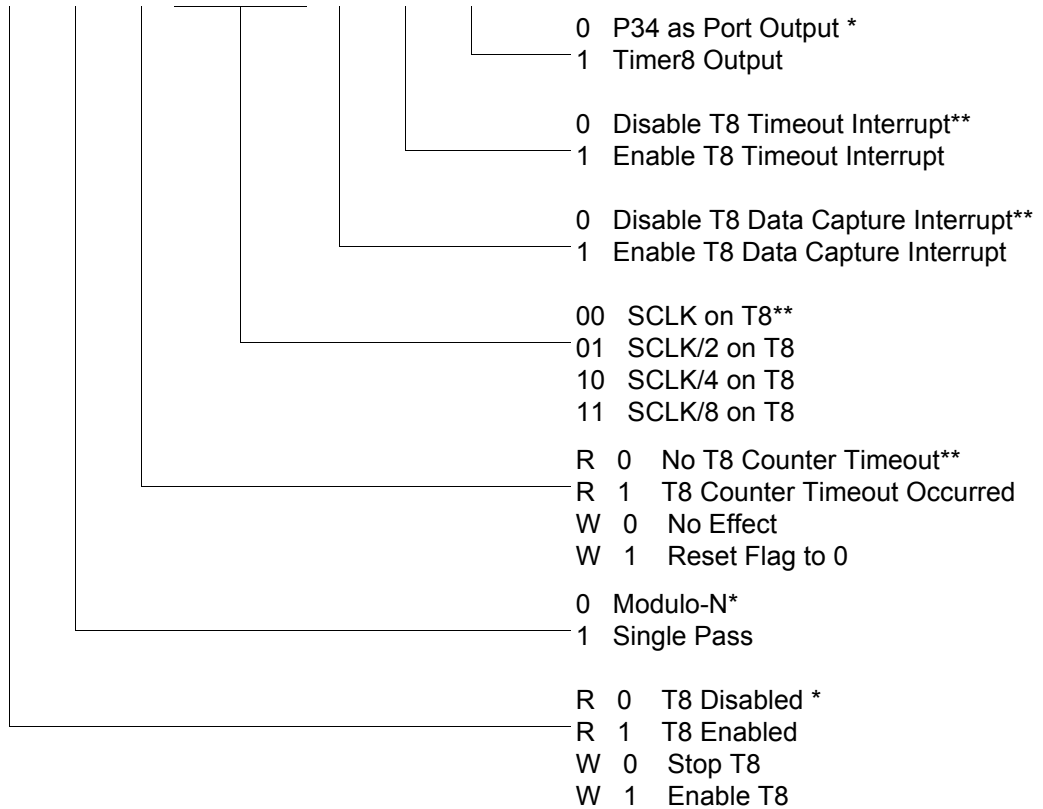
- **Note:** *If it is necessary to receive an LVD interrupt upon power-up at an operating voltage lower than the low battery detect threshold, enable interrupts using the Enable Interrupt instruction (EI) prior to enabling the voltage detection.*

Expanded Register File Control Registers (0D)

The expanded register file control registers (0D) are displayed in [Figure 37](#) through [Figure 41](#).

CTR0(0D)00H

D7	D6	D5	D4	D3	D2	D1	D0
----	----	----	----	----	----	----	----



* Default setting after reset.

**Default setting after reset. Not reset with Stop Mode Recovery.

Figure 37. TC8 Control Register ((0D)00H: Read/Write Except Where Noted)

CTR1(0D)01H

D7	D6	D5	D4	D3	D2	D1	D0
							<p>TRANSMIT Mode*</p> <p>R/W 0 T16_OUT is 0 initially*</p> <p>1 T16_OUT is 1 initially</p> <p>DEMODULATION Mode</p> <p>R 0 No Falling Edge Detection</p> <p>R 1 Falling Edge Detection</p> <p>W 0 No Effect</p> <p>W 1 Reset Flag to 0</p>
							<p>TRANSMIT Mode*</p> <p>R/W 0 T8_OUT is 0 initially*</p> <p>1 T8_OUT is 1 initially</p> <p>DEMODULATION Mode</p> <p>R 0 No Rising Edge Detection</p> <p>R 1 Rising Edge Detection</p> <p>W 0 No Effect</p> <p>W 1 Reset Flag to 0</p>
							<p>TRANSMIT Mode*</p> <p>0 0 Normal Operation*</p> <p>0 1 PING-PONG Mode</p> <p>1 0 T16_OUT = 0</p> <p>1 1 T16_OUT = 1</p> <p>DEMODULATION Mode</p> <p>0 0 No Filter</p> <p>0 1 4 SCLK Cycle Filter</p> <p>1 0 8 SCLK Cycle Filter</p> <p>1 1 Reserved</p>
							<p>TRANSMIT Mode/T8/T16 Logic</p> <p>0 0 AND**</p> <p>0 1 OR</p> <p>1 0 NOR</p> <p>1 1 NAND</p> <p>DEMODULATION Mode</p> <p>0 0 Falling Edge Detection</p> <p>0 1 Rising Edge Detection</p> <p>1 0 Both Edge Detection</p> <p>1 1 Reserved</p>
							<p>TRANSMIT Mode</p> <p>0 P36 as Port Output *</p> <p>1 P36 as T8/T16_OUT</p> <p>DEMODULATION Mode</p> <p>0 P31 as Demodulator Input</p> <p>1 P20 as Demodulator Input</p>

CTR1(0D)01H

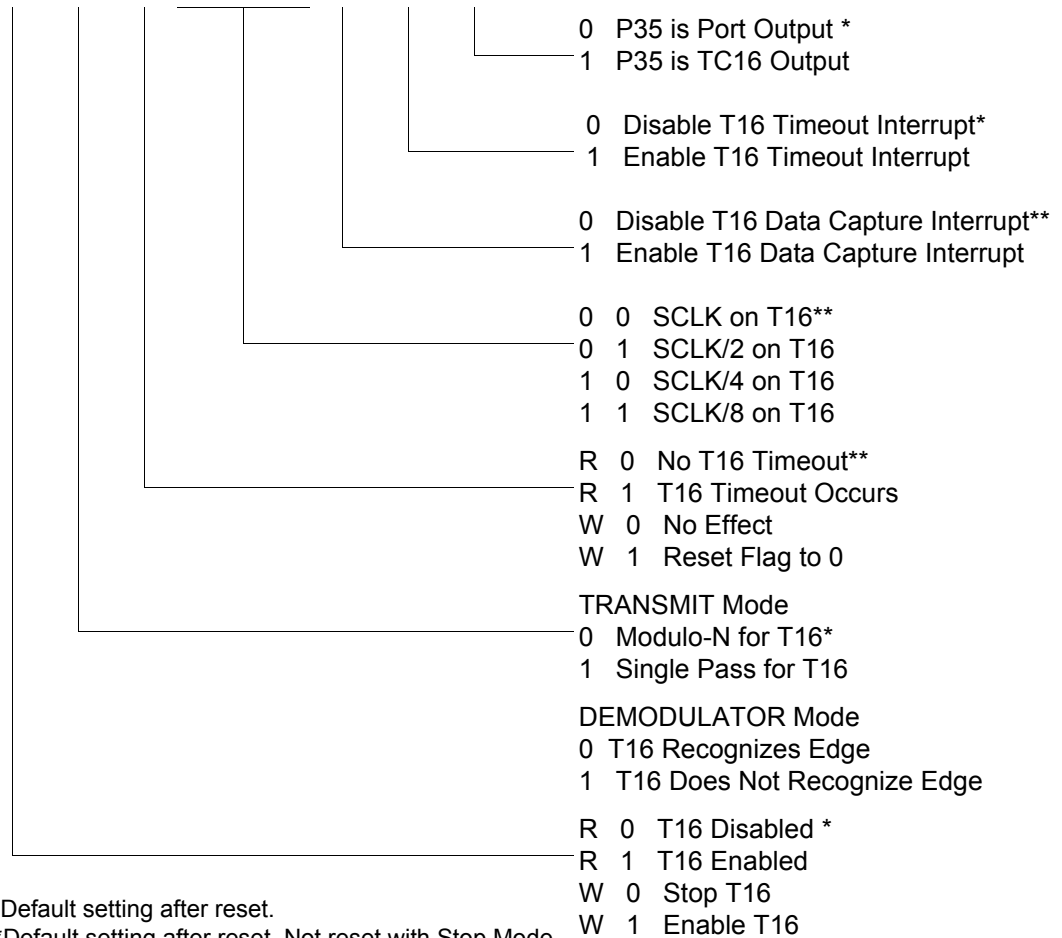
CTR1(0D)01H		TRANSMIT/DEMODULATION Mode
* Default setting after reset.	0	TRANSMIT Mode *
**Default setting after reset. Not reset with Stop Mode Recovery.	1	DEMODULATION Mode

Figure 38. T8 and T16 Common Control Functions ((0D)01H: Read/Write)

- **Notes:** *Ensure to differentiate between the TRANSMIT mode and DEMODULATION mode. Depending on which of these two modes is operating, the CTR1 bit has different functions. Changing from one mode to another cannot be performed without disabling the counter/timers.*

CTR2(0D)02H

D7	D6	D5	D4	D3	D2	D1	D0
----	----	----	----	----	----	----	----



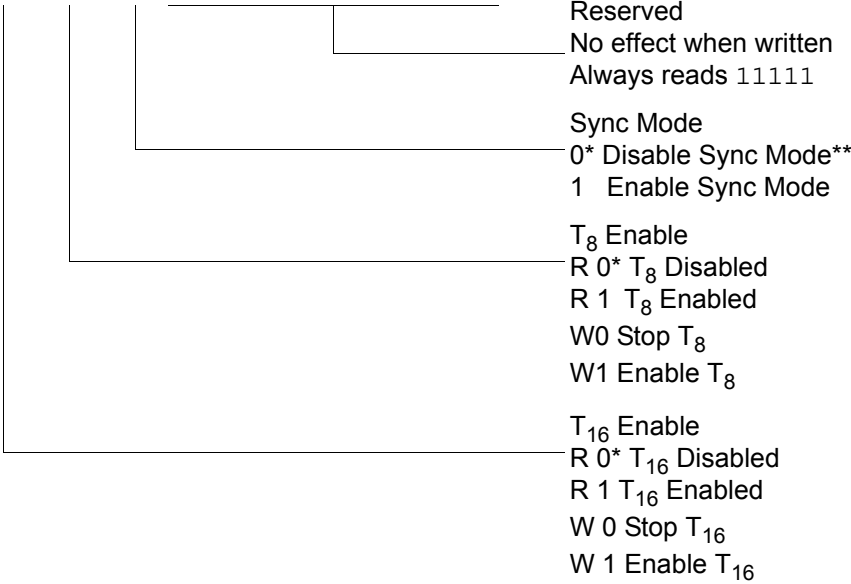
* Default setting after reset.

**Default setting after reset. Not reset with Stop Mode Recovery.

Figure 39. T16 Control Register ((0D) 2H: Read/Write Except Where Noted)

CTR3(0D)03H

D7	D6	D5	D4	D3	D2	D1	D0
----	----	----	----	----	----	----	----



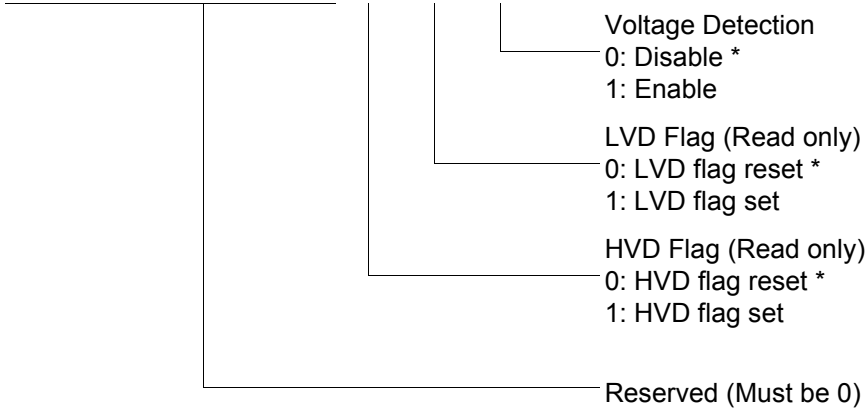
* Default setting after reset.
** Default setting after reset. Not reset with Stop Mode Recovery.

Figure 40. T8/T16 Control Register (0D)03H: Read/Write (Except Where Noted)

► **Note:** *If Sync Mode is enabled, the first pulse of T8 carrier is always synchronized with T16 (demodulated signal). It can always provide a full carrier pulse.*

LVD(0D)0CH

D7	D6	D5	D4	D3	D2	D1	D0
----	----	----	----	----	----	----	----



* Default

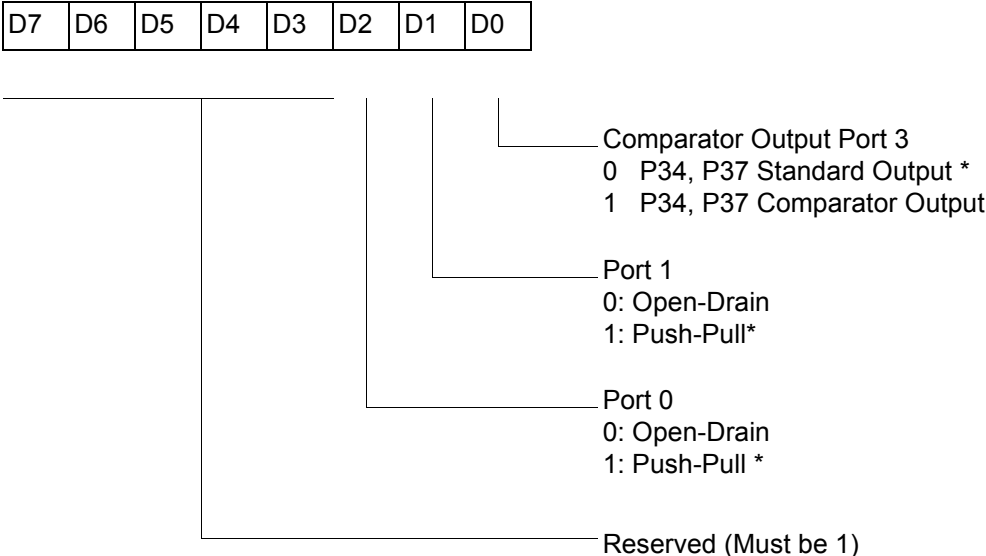
Figure 41. Voltage Detection Register

► **Note:** Do not modify register P01M while checking a low-voltage condition. Switching noise of both ports 0 and 1 together might trigger the LVD flag.

Expanded Register File Control Registers (0F)

The expanded register file control registers (0F) are displayed in [Figure 42](#) through [Figure 55](#).

PCON(0F)00H

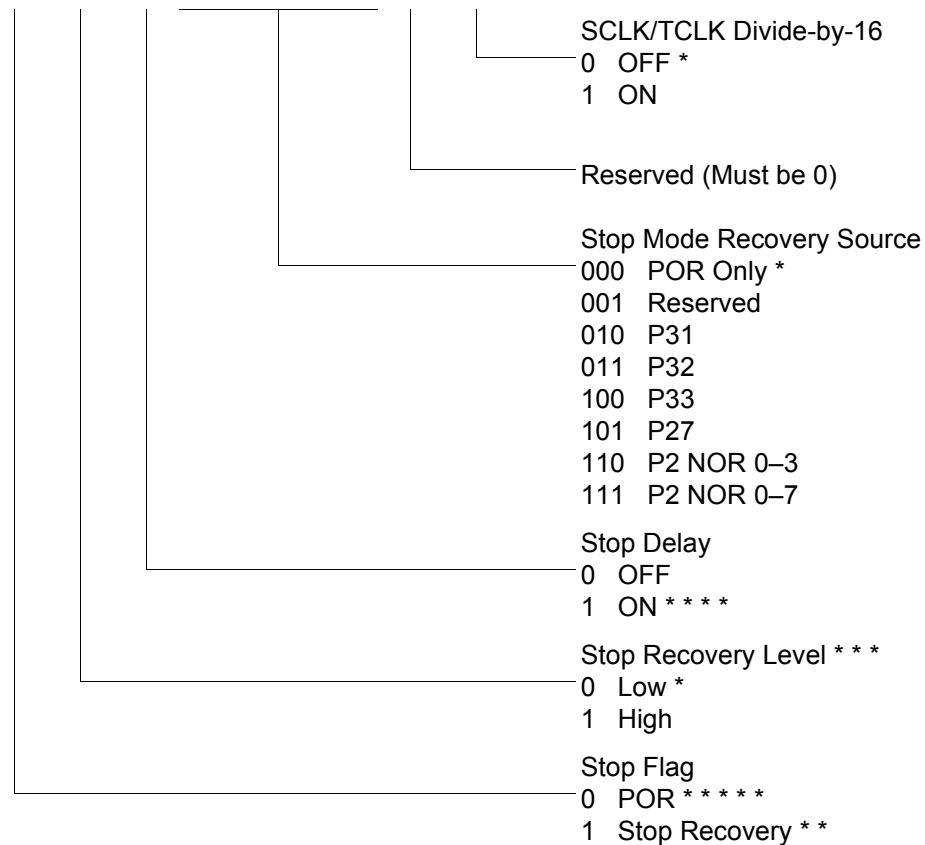


* Default setting after reset.

Figure 42. Port Configuration Register (PCON)(0F)00H: Write Only

SMR(0F)0BH

D7	D6	D5	D4	D3	D2	D1	D0
----	----	----	----	----	----	----	----

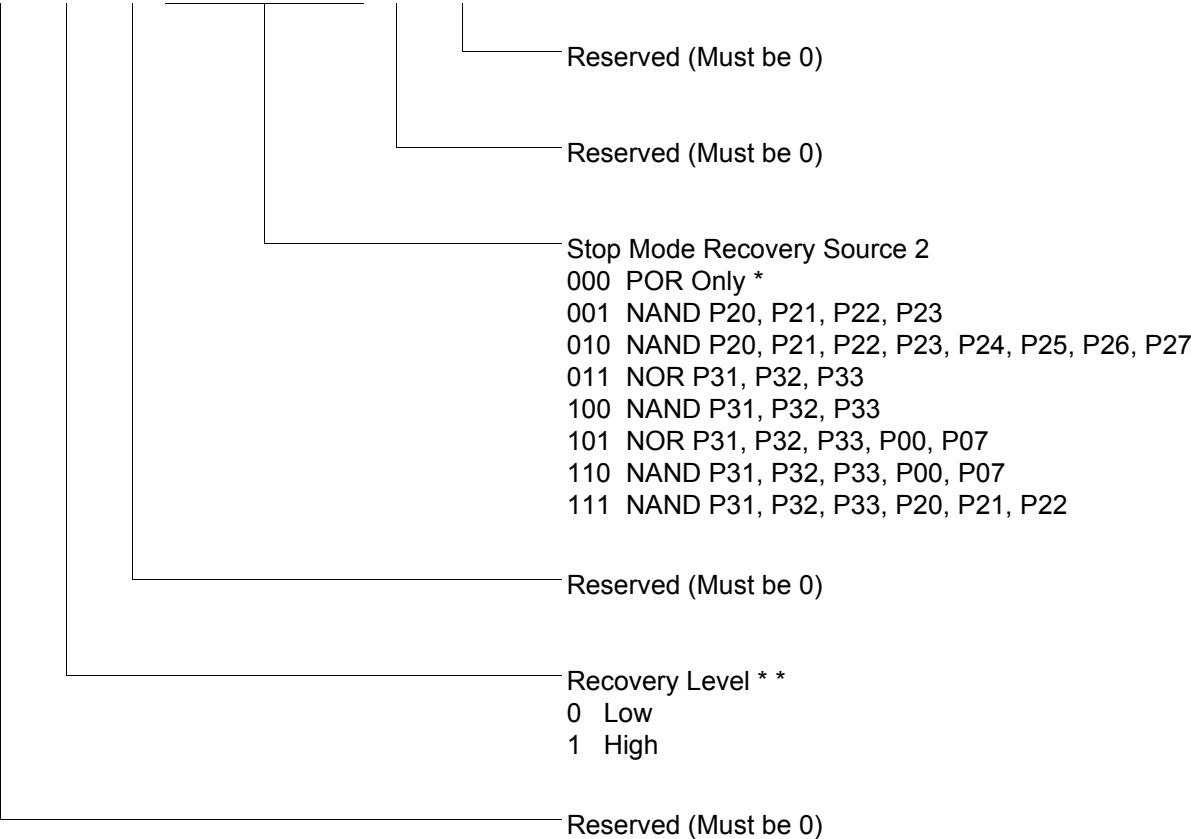


- * Default setting after Reset.
- ** Set after Stop Mode Recovery.
- *** At the XOR gate input.
- **** Default setting after Reset. Must be 1 if using a crystal or resonator clock source.
- ***** Default setting after Power-On Reset. Not Reset with a Stop Mode Recovery.

Figure 43. Stop Mode Recovery Register ((0F)0BH: D6–D0=Write Only, D7=Read Only)

SMR2(0F)0DH

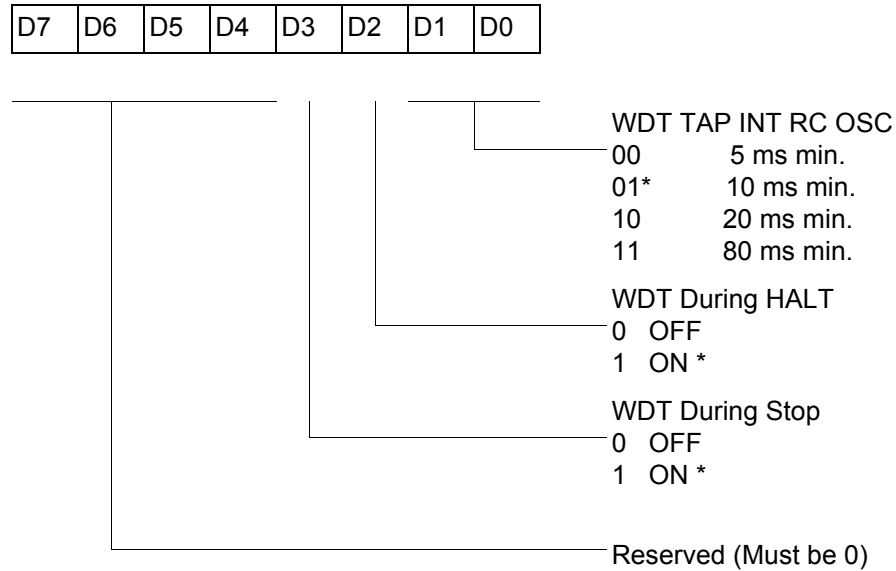
D7	D6	D5	D4	D3	D2	D1	D0
----	----	----	----	----	----	----	----



Note: If used in conjunction with SMR, either of the two specified events causes a Stop Mode Recovery.
 * Default setting after reset.
 ** At the XOR gate input.

Figure 44. Stop Mode Recovery Register 2 ((0F)0DH:D2–D4, D6 Write Only)

WDTMR(0F)0FH

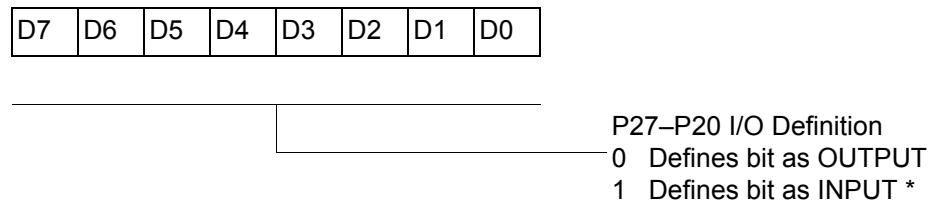


* Default setting after reset.

Figure 45. Watchdog Timer Register ((0F) 0FH: Write Only)

Standard Control Registers

R246 P2M(F6H)

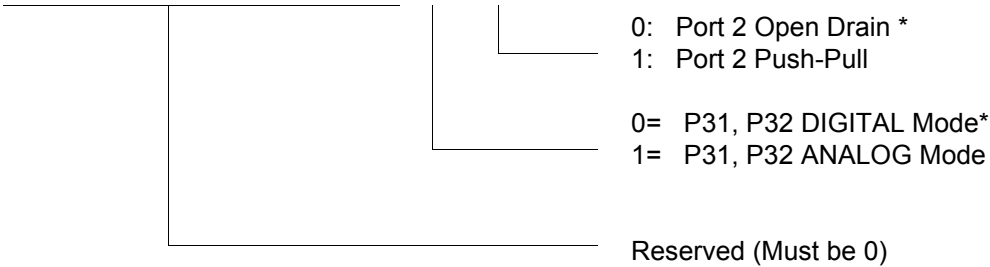


* Default setting after reset.

Figure 46. Port 2 Mode Register (F6H: Write Only)

R247 P3M(F7H)

D7	D6	D5	D4	D3	D2	D1	D0
----	----	----	----	----	----	----	----

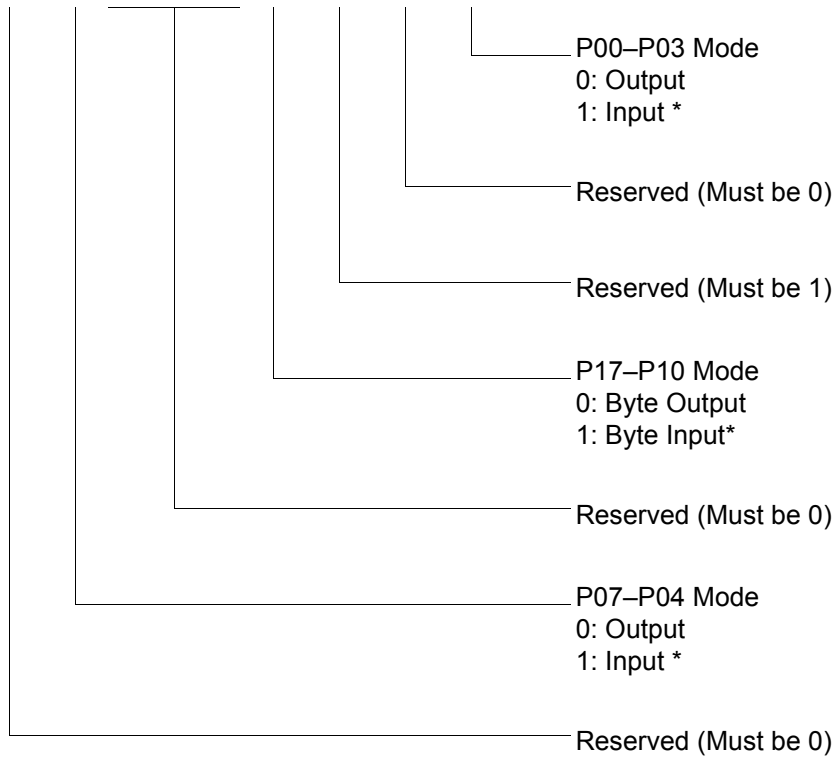


* Default setting after reset. Not reset with Stop Mode Recovery.

Figure 47. Port 3 Mode Register (F7H: Write Only)

R248 P01M(F8H)

D7	D6	D5	D4	D3	D2	D1	D0
----	----	----	----	----	----	----	----



* Default setting after reset; only P00, P01 and P07 are available in 20-pin configurations.

Figure 48. Port 0 and 1 Mode Register (F8H: Write Only)

R249 IPR(F9H)

D7	D6	D5	D4	D3	D2	D1	D0
----	----	----	----	----	----	----	----

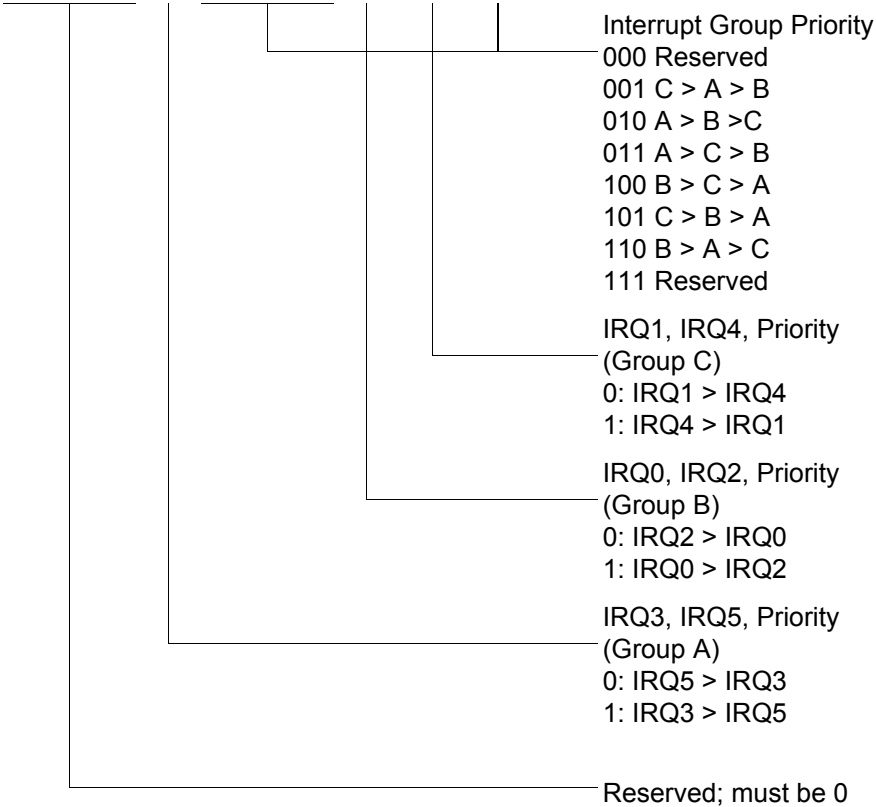


Figure 49. Interrupt Priority Register (F9H: Write Only)

R250 IRQ(FAH)

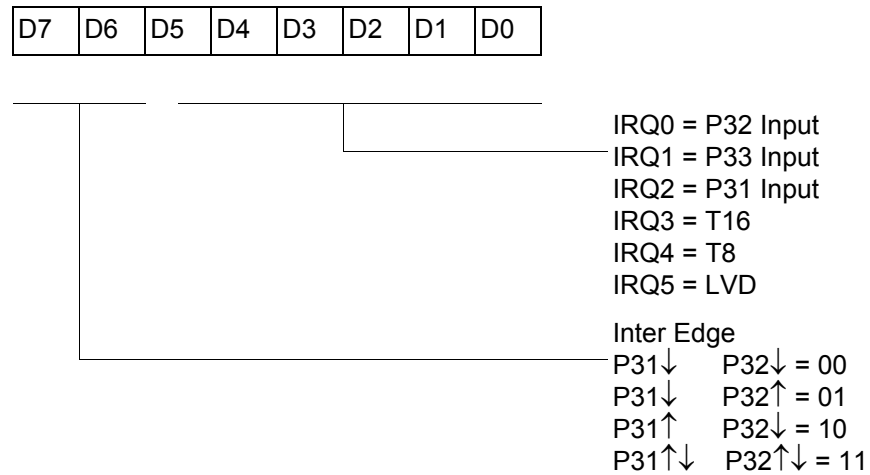
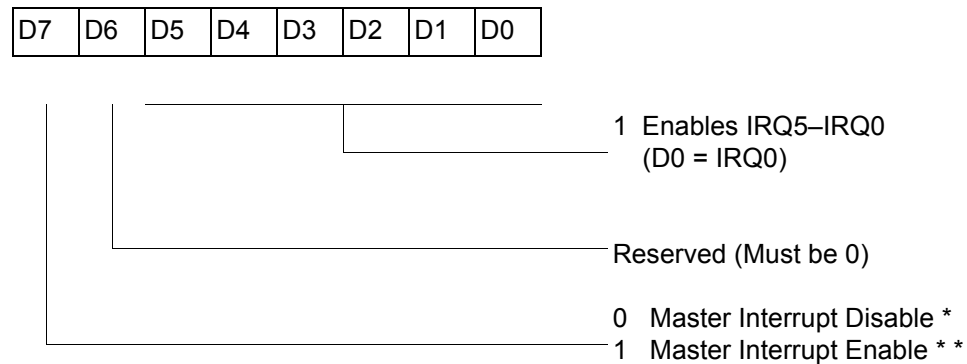


Figure 50. Interrupt Request Register (FAH: Read/Write)

R251 IMR(FBH)



* Default setting after reset.

** Only by using EI, DI instruction; DI is required before changing the IMR register.

Figure 51. Interrupt Mask Register (FBH: Read/Write)

R252 Flags(FCH)

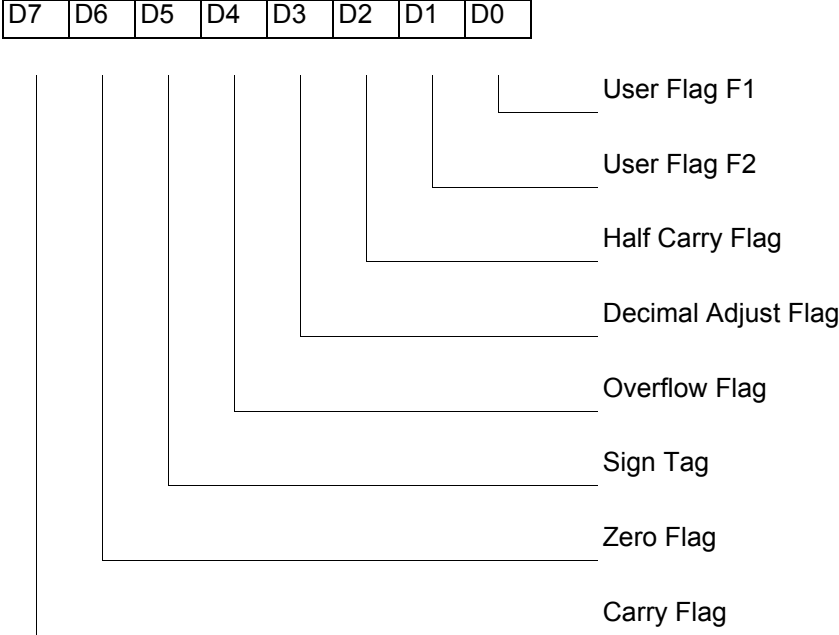
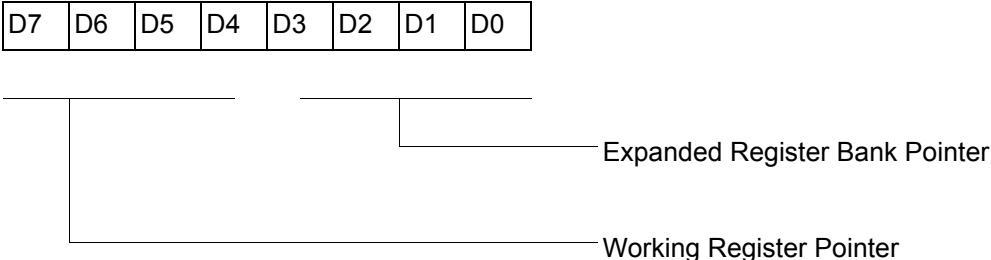


Figure 52. Flag Register (FCH: Read/Write)

R253 RP(FDH)



Default setting after reset = 0000 0000.

Figure 53. Register Pointer (FDH: Read/Write)

R254 SPH(FEH)

D7	D6	D5	D4	D3	D2	D1	D0
----	----	----	----	----	----	----	----

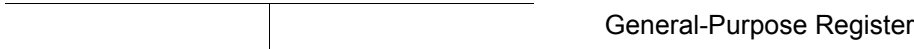


Figure 54. Stack Pointer High (FEH: Read/Write)

R255 SPL(FFH)

D7	D6	D5	D4	D3	D2	D1	D0
----	----	----	----	----	----	----	----

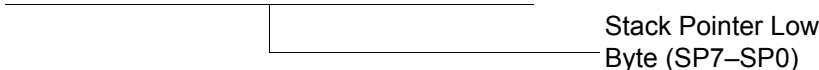


Figure 55. Stack Pointer Low (FFH: Read/Write)

Electrical Characteristics

Absolute Maximum Ratings

Stresses greater than those listed in [Table 17](#) might cause permanent damage to the device. This rating is a stress rating only. Functional operation of the device at any condition above those indicated in the operational sections of these specifications is not implied. Exposure to absolute maximum rating conditions for an extended period might affect device reliability.

Table 17. Absolute Maximum Ratings

Parameter	Minimum	Maximum	Units	Notes
Ambient temperature under bias	-40	+125	C	
Storage temperature	-65	+150	C	
Voltage on any pin with respect to V_{SS}	-0.3	+5.5	V	1
Voltage on V_{DD} pin with respect to V_{SS}	-0.3	+3.6	V	
Maximum current on input and/or inactive output pin	-5	+5	μ A	
Maximum output current from active output pin	-25	+25	mA	
Maximum current into V_{DD} or out of V_{SS}		75	mA	

Notes

1. This voltage applies to all pins except the following: V_{DD} , P32, P33 and $\overline{\text{RESET}}$.

Standard Test Conditions

The characteristics listed in this product specification apply for standard test conditions as noted. All voltages are referenced to GND. Positive current flows into the referenced pin (see [Figure 56](#)).

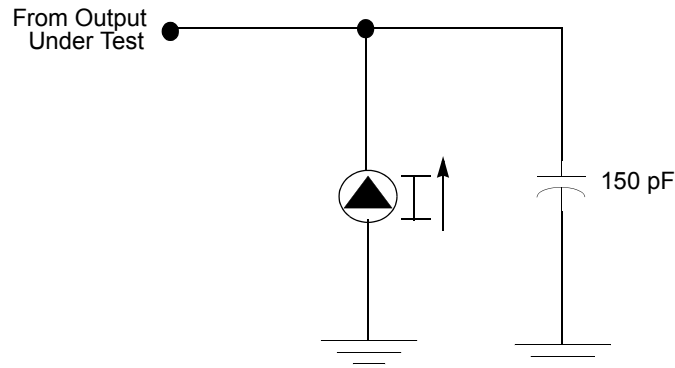


Figure 56. Test Load Diagram

Capacitance

Table 18 lists the capacitances.

Table 18. Capacitance

Parameter	Maximum
Input capacitance	12 pF
Output capacitance	12 pF
I/O capacitance	12 pF

Note: $T_A = 25\text{ }^\circ\text{C}$, $V_{CC} = \text{GND} = 0\text{ V}$, $f = 1.0\text{ MHz}$, unmeasured pins returned to GND.

DC Characteristics

Table 19. ZGP323LS DC Characteristics

Symbol	Parameter	V_{CC}	$T_A = 0\text{ }^\circ\text{C to } +70\text{ }^\circ\text{C}$			Units	Conditions	Notes
			Min	Typ(7)	Max			
V_{CC}	Supply Voltage		2.0		3.6	V	See Note 5	5
V_{CH}	Clock Input High Voltage	2.0–3.6	$0.8V_{CC}$		$V_{CC}+0.3$	V	Driven by External Clock Generator	
V_{CL}	Clock Input Low Voltage	2.0–3.6	$V_{SS}-0.3$		0.4	V	Driven by External Clock Generator	
V_{IH}	Input High Voltage	2.0–3.6	$0.7 V_{CC}$		$V_{CC}+0.3$	V		
V_{IL}	Input Low Voltage	2.0–3.6	$V_{SS}-0.3$		$0.2 V_{CC}$	V		

Table 19. ZGP323LS DC Characteristics (Continued)

Symbol	Parameter	V _{CC}	T _A = 0 °C to +70 °C			Units	Conditions	Notes
			Min	Typ(7)	Max			
V _{OH1}	Output High Voltage	2.0–3.6	V _{CC} –0.4			V	I _{OH} = –0.5 mA	
V _{OH2}	Output High Voltage (P36, P37, P00, P01)	2.0–3.6	V _{CC} –0.8			V	I _{OH} = –7 mA	
V _{OL1}	Output Low Voltage	2.0–3.6			0.4	V	I _{OL} = 4.0 mA	
V _{OL2}	Output Low Voltage (P00, P01, P36, P37)	2.0–3.6			0.8	V	I _{OL} = 10 mA	
V _{OFFSET}	Comparator Input Offset Voltage	2.0–3.6			25	mV		
V _{REF}	Comparator Reference Voltage	2.0–3.6	0		V _{CC} –1.75	V		
I _{IL}	Input Leakage	2.0–3.6	–1		1	μA	V _{IN} = 0 V, V _{CC} Pull- ups disabled	
R _{PU}	Pull-up Resistance	2.0	225		675	KΩ	V _{IN} = 0 V, V _{CC} Pull- ups selected by mask option	
		3.6	75		275	KΩ		
I _{OL}	Output Leakage	2.0–3.6	–1		1	μA	V _{IN} = 0 V, V _{CC}	
I _{CC}	Supply Current	2.0		1	3	mA	at 8.0 MHz	1, 2
		3.6		5	10	mA	at 8.0 MHz	1, 2
I _{CC1}	Standby Current (HALT Mode)	2.0		0.5	1.6	mA	V _{IN} = 0 V, V _{CC} at 8.0 MHz	1, 2, 6
		3.6		0.8	2.0	mA		
I _{CC2}	Standby Current (STOP Mode)	2.0		1.6	8	μA	V _{IN} = 0 V, V _{CC} WDT	3
		3.6		1.8	10	μA	is not Running	3
		2.0		5	20	μA	Same as above	3
		3.6		8	30	μA	V _{IN} = 0 V, V _{CC} WDT is Running	3
	Same as above							
I _{LV}	Standby Current (Low Voltage)			1.2	6	μA	Measured at 1.3 V	4
V _{BO}	V _{CC} Low Voltage Protection			1.9	2.0	V	8 MHz maximum Ext. CLK Freq.	
V _{LVD}	V _{CC} Low-Voltage Detection			2.4		V		
V _{HVD}	V _{CC} High-Voltage Detection			2.7		V		

Table 19. ZGP323LS DC Characteristics (Continued)

Symbol	Parameter	V _{CC}	T _A = 0 °C to +70 °C			Units	Conditions	Notes
			Min	Typ(7)	Max			
Notes								
1. All outputs unloaded, inputs at rail.								
2. CL1 = CL2 = 100 pF.								
3. Oscillator stopped.								
4. Oscillator stops when V _{CC} falls below V _{BO} limit.								
5. It is strongly recommended to add a filter capacitor (minimum 0.1 μF), physically close to the V _{DD} and V _{SS} pins if operating voltage fluctuations are anticipated, such as those resulting from driving an Infrared LED.								
6. Comparators and timers are on. Interrupt disabled.								
7. Typical values shown are at 25 °C.								

Table 20. ZGP323LE DC Characteristics

Symbol	Parameter	V _{CC}	T _A = -40 °C to +105 °C			Units	Conditions	Notes
			Min	Typ(7)	Max			
V _{CC}	Supply Voltage		2.0		3.6	V	See Note 5	5
V _{CH}	Clock Input High Voltage	2.0–3.6	0.8		V _{CC} +0.3	V	Driven by External Clock Generator	
V _{CL}	Clock Input Low Voltage	2.0–3.6	V _{SS} -0.3		0.4	V	Driven by External Clock Generator	
V _{IH}	Input High Voltage	2.0–3.6	0.7 V _{CC}		V _{CC} +0.3	V		
V _{IL}	Input Low Voltage	2.0–3.6	V _{SS} -0.3		0.2 V _{CC}	V		
V _{OH1}	Output High Voltage	2.0–3.6	V _{CC} -0.4			V	I _{OH} = -0.5 mA	
V _{OH2}	Output High Voltage (P36, P37, P00, P01)	2.0–3.6	V _{CC} -0.8			V	I _{OH} = -7 mA	
V _{OL1}	Output Low Voltage	2.0–3.6			0.4	V	I _{OL} = 1.0 mA I _{OL} = 4.0 mA	
V _{OL2}	Output Low Voltage (P00, P01, P36, P37)	2.0–3.6			0.8	V	I _{OL} = 10 mA	
V _{OFFSET}	Comparator Input Offset Voltage	2.0–3.6			25	mV		
V _{REF}	Comparator Reference Voltage	2.0-3.6	0		V _{DD} -1.75	V		
I _{IL}	Input Leakage	2.0–3.6	-1		1	μA	V _{IN} = 0 V, V _{CC} Pull-ups disabled	
R _{PU}	Pull-up Resistance	2.0	200		700	KΩ	V _{IN} = 0 V, V _{CC} Pull-ups selected by mask option	
		3.6	50		300	KΩ		
I _{OL}	Output Leakage	2.0–3.6	-1		1	μA	V _{IN} = 0 V, V _{CC}	

Table 20. ZGP323LE DC Characteristics (Continued)

$T_A = -40\text{ }^\circ\text{C to } +105\text{ }^\circ\text{C}$								
Symbol	Parameter	V_{CC}	Min	Typ(7)	Max	Units	Conditions	Notes
I_{CC}	Supply Current	2.0		1	3	mA	at 8.0 MHz	1, 2
		3.6		5	10	mA	at 8.0 MHz	1, 2
I_{CC1}	Standby Current (HALT Mode)	2.0		0.5	1.6	mA	$V_{IN} = 0\text{ V}$, V_{CC} at	1, 2,6
		3.6		0.8	2.0	mA	8.0 MHz Same as above	1, 2
I_{CC2}	Standby Current (STOP Mode)	2.0		1.6	12	μA	$V_{IN} = 0\text{ V}$, V_{CC} WDT is	3
		3.6		1.8	15	μA	not Running	3
		2.0		5	30	μA	Same as above	3
		3.6		8	40	μA	$V_{IN} = 0\text{ V}$, V_{CC} WDT is	3
I_{LV}	Standby Current (Low Voltage)			1.2	6	μA	Measured at 1.3 V	4
V_{BO}	V_{CC} Low Voltage Protection			1.9	2.15	V	8 MHz maximum Ext. CLK Freq.	
V_{LVD}	V_{CC} Low-Voltage Detection			2.4		V		
V_{HVD}	V_{CC} High-Voltage Detection			2.7		V		

Notes

1. All outputs unloaded, inputs at rail.
2. $CL1 = CL2 = 100\text{ pF}$.
3. Oscillator stopped.
4. Oscillator stops when V_{CC} falls below V_{BO} limit.
5. It is strongly recommended to add a filter capacitor (minimum $0.1\text{ }\mu\text{F}$), physically close to the V_{DD} and V_{SS} pins if operating voltage fluctuations are anticipated, such as those resulting from driving an Infrared LED.
6. Comparators and timers are on. Interrupt disabled.
7. Typical values shown are at $25\text{ }^\circ\text{C}$.

Table 21. ZGP323LA DC Characteristics

$T_A = -40\text{ }^\circ\text{C to } +125\text{ }^\circ\text{C}$								
Symbol	Parameter	V_{CC}	Min	Typ(7)	Max	Units	Conditions	Notes
V_{CC}	Supply Voltage		2.0		3.6	V	See Note 5	5
V_{CH}	Clock Input High Voltage	2.0–3.6	0.8		$V_{CC}+0.3$	V	Driven by External Clock Generator	
V_{CL}	Clock Input Low Voltage	2.0–3.6	$V_{SS}-0.3$		0.4	V	Driven by External Clock Generator	
V_{IH}	Input High Voltage	2.0–3.6	$0.7 V_{CC}$		$V_{CC}+0.3$	V		
V_{IL}	Input Low Voltage	2.0–3.6	$V_{SS}-0.3$		$0.2 V_{CC}$	V		
V_{OH1}	Output High Voltage	2.0–3.6	$V_{CC}-0.4$			V	$I_{OH} = -0.5\text{ mA}$	

Table 21. ZGP323LA DC Characteristics (Continued)

Symbol	Parameter	V _{CC}	T _A = -40 °C to +125 °C			Units	Conditions	Notes
			Min	Typ(7)	Max			
V _{OH2}	Output High Voltage (P36, P37, P00, P01)	2.0–3.6	V _{CC} -0.8			V	I _{OH} = -7 mA	
V _{OL1}	Output Low Voltage	2.0–3.6			0.4	V	I _{OL} = 1.0 mA I _{OL} = 4.0 mA	
V _{OL2}	Output Low Voltage (P00, P01, P36, P37)	2.0–3.6			0.8	V	I _{OL} = 10 mA	
V _{OFFSET}	Comparator Input Offset Voltage	2.0–3.6			25	mV		
V _{REF}	Comparator Reference Voltage	2.0–3.6	0		V _{DD} -1.75	V		
I _{IL}	Input Leakage	2.0–3.6	-1		1	μA	V _{IN} = 0 V, V _{CC} Pull- ups disabled	
R _{PU}	Pull-up Resistance	2.0	200		700	KΩ	V _{IN} = 0 V, V _{CC} Pull-ups selected by mask option	
		3.6	50		300	KΩ		
I _{OL}	Output Leakage	2.0-3.6	-1		1	μA	V _{IN} = 0 V, V _{CC}	
I _{CC}	Supply Current	2.0		1	3	mA	at 8.0 MHz	1, 2
		3.6		5	10	mA	at 8.0 MHz	1, 2
I _{CC1}	Standby Current (HALT Mode)	2.0		0.5	1.6	mA	V _{IN} = 0 V, V _{CC} at 8.0 MHz Same as above	1, 2, 6
		3.6		0.8	2.0	mA		1, 2
I _{CC2}	Standby Current (STOP Mode)	2.0		1.6	15	μA	V _{IN} = 0 V, V _{CC} WDT is not Running Same as above V _{IN} = 0 V, V _{CC} WDT is Running Same as above	3
		3.6		1.8	20	μA		3
		2.0		5	30	μA		3
		3.6		8	40	μA		3
I _{LV}	Standby Current (Low Voltage)			1.2	6	μA	Measured at 1.3 V	4
V _{BO}	V _{CC} Low Voltage Protection			1.9	2.15	V	8 MHz maximum Ext. CLK Freq.	
V _{LVD}	V _{CC} Low-Voltage Detection			2.4		V		
V _{HVD}	V _{CC} High-Voltage Detection			2.7		V		

Table 21. ZGP323LA DC Characteristics (Continued)

$T_A = -40\text{ }^\circ\text{C to }+125\text{ }^\circ\text{C}$								
Symbol	Parameter	V_{CC}	Min	Typ(7)	Max	Units	Conditions	Notes
Notes								
1. All outputs unloaded, inputs at rail.								
2. CL1 = CL2 = 100 pF.								
3. Oscillator stopped.								
4. Oscillator stops when V_{CC} falls below V_{BO} limit.								
5. It is strongly recommended to add a filter capacitor (minimum 0.1 μF), physically close to the V_{DD} and V_{SS} pins if operating voltage fluctuations are anticipated, such as those resulting from driving an Infrared LED.								
6. Comparators and timers are on. Interrupt disabled.								
7. Typical values shown are at 25 $^\circ\text{C}$.								

Table 22. EPROM/OTP Characteristics

Symbol	Parameter	Min.	Typ.	Max.	Unit	Notes
	Erase Time	15			Minutes	1,3
	Data Retention @ use years		10		Years	2
	Program/Erase Endurance	100			Cycles	1

Notes

- For windowed cerdip package only.
- Standard: 0 $^\circ\text{C}$ to 70 $^\circ\text{C}$; Extended: -40 $^\circ\text{C}$ to +105 $^\circ\text{C}$; Automotive: -40 $^\circ\text{C}$ to +125 $^\circ\text{C}$. Determined using the Arrhenius model, which is an industry standard for estimating data retention of floating gate technologies:

$$AF = \exp\left[\frac{E_a}{k} \left(\frac{1}{T_{use}} - \frac{1}{T_{stress}}\right)\right]$$
 Where:
 E_a is the intrinsic activation energy (eV; typ. 0.8)
 k is Boltzman's constant (8.67 x 10⁻⁵ eV/ $^\circ\text{K}$)
 $^\circ\text{K} = -273.16\text{ }^\circ\text{C}$
 T_{use} = Use Temperature in $^\circ\text{K}$
 T_{stress} = Stress Temperature in $^\circ\text{K}$
- At a stable UV Lamp output of 20 mW/ CM^2

AC Characteristics

Figure 57 and Table 23 describe the Alternating Current (AC) characteristics.

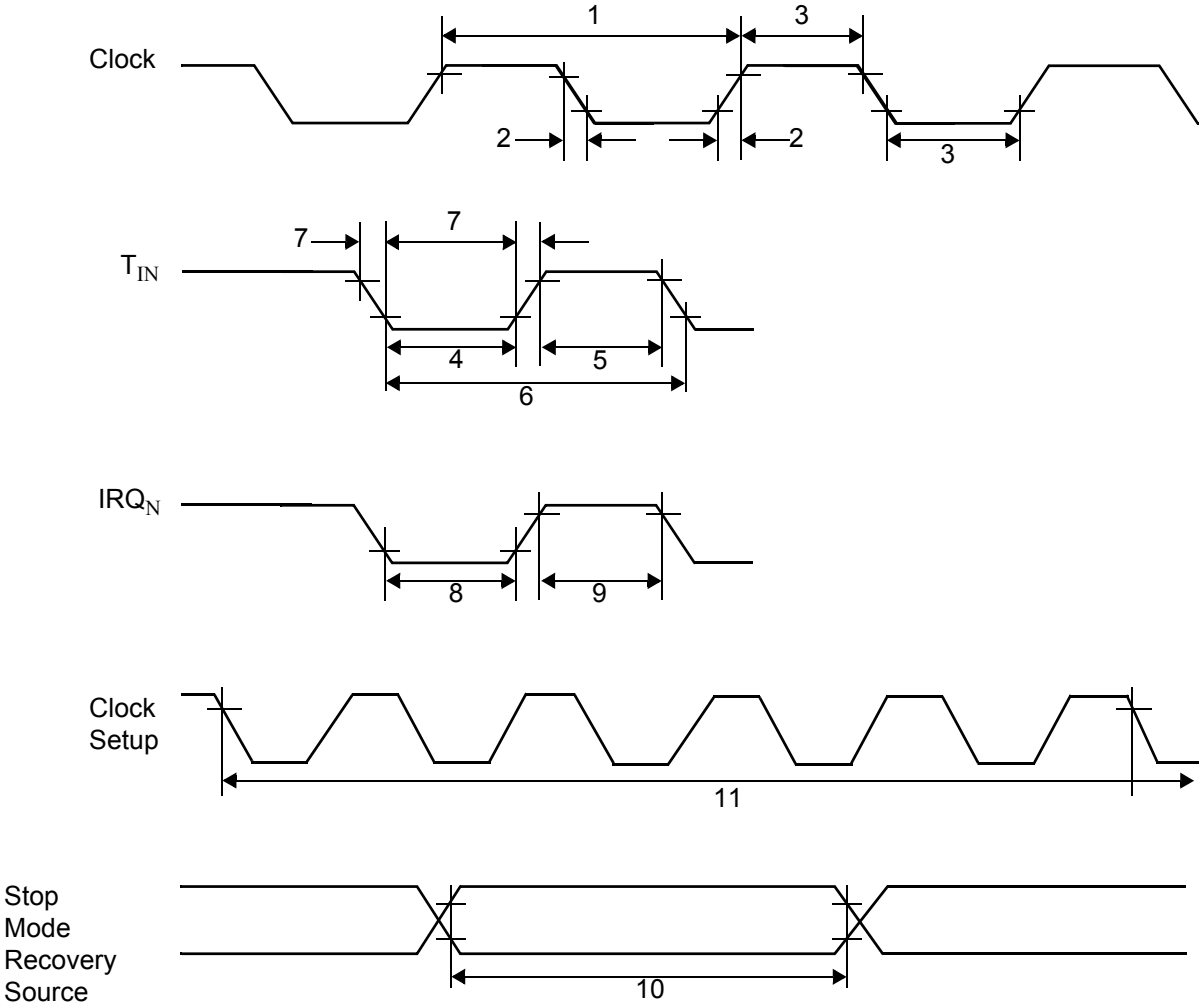


Figure 57. AC Timing Diagram

Table 23. AC Characteristics

No	Symbol	Parameter	V _{CC}	T _A =0 °C to +70 °C (S) -40 °C to +105 °C (E) -40 °C to +125 °C (A) 8.0 MHz		Units	Notes	Watchdog Timer Mode Register (D1, D0)
				Minimum	Maximum			
1	T _{pC}	Input Clock Period	2.0–3.6	121	DC	ns	1	
2	TrC, TfC	Clock Input Rise and Fall Times	2.0–3.6		25	ns	1	
3	TwC	Input Clock Width	2.0–3.6	37		ns	1	
4	TwTinL	Timer Input Low Width	2.0 3.6	100 70		ns	1	
5	TwTinH	Timer Input High Width	2.0–3.6	3 TpC			1	
6	TpTin	Timer Input Period	2.0–3.6	8 TpC			1	
7	TrTin, TfTin	Timer Input Rise and Fall Timers	2.0–3.6		100	ns	1	
8	TwIL	Interrupt Request Low Time	2.0 3.6	100 70		ns	1, 2	
9	TwIH	Interrupt Request Input High Time	2.0–3.6	5 TpC			1, 2	
10	Twsm	Stop Mode Recovery Width Spec	2.0–3.6	12 10 TpC		ns	3 4	
11	Tost	Oscillator Start-Up Time	2.0–3.6		5TpC		4	
12	Twdt	Watchdog Timer Delay Time	2.0–3.6 2.0–3.6 2.0–3.6 2.0–3.6	5 10 20 80		ms ms ms ms	0, 0 0, 1 1, 0 1, 1	
13	T _{POR}	Power-On Reset	2.0–3.6	2.5	10	ms		

Notes

1. Timing Reference uses 0.9 V_{CC} for a logic 1 and 0.1 V_{CC} for a logic 0.
2. Interrupt request through Port 3 (P33–P31).
3. SMR – D5 = 1.
4. SMR – D5 = 0.

Packaging

Package information for all versions of ZGP323L are depicted in [Figure 58](#) through [Figure 68](#).

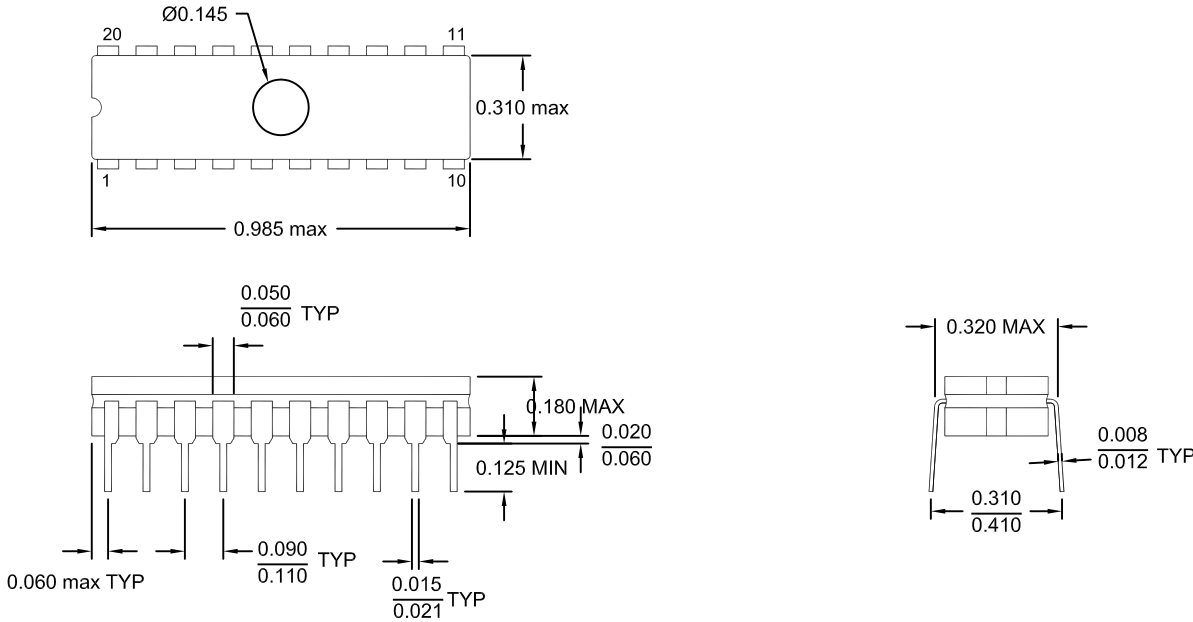


Figure 58. 20-Pin CDIP Package

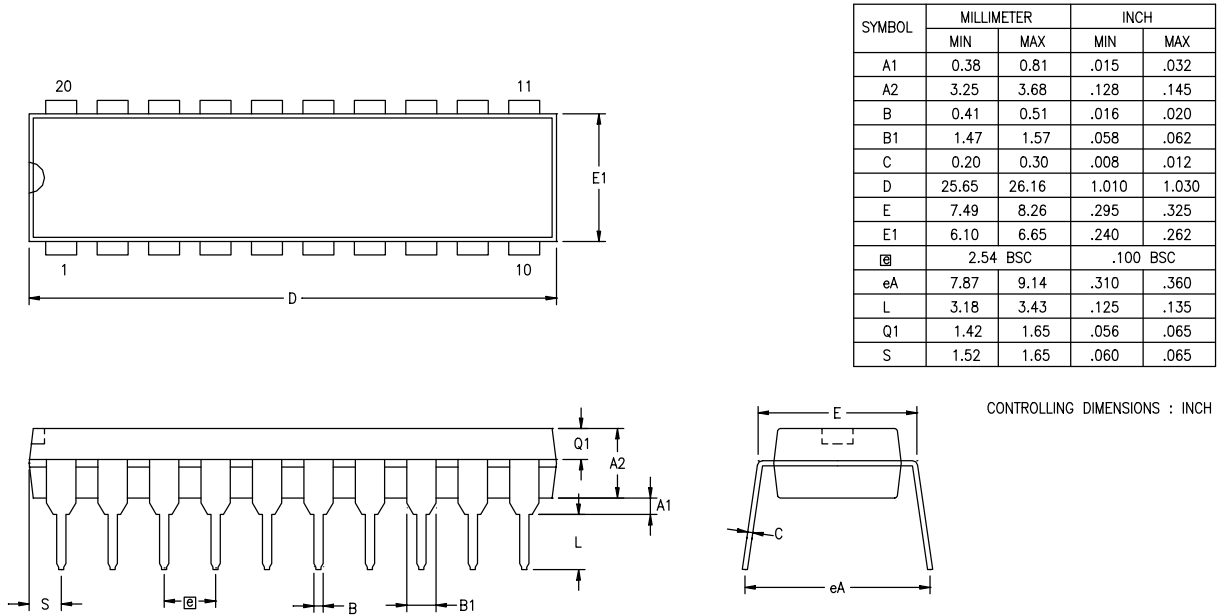


Figure 59. 20-Pin PDIP Package Diagram

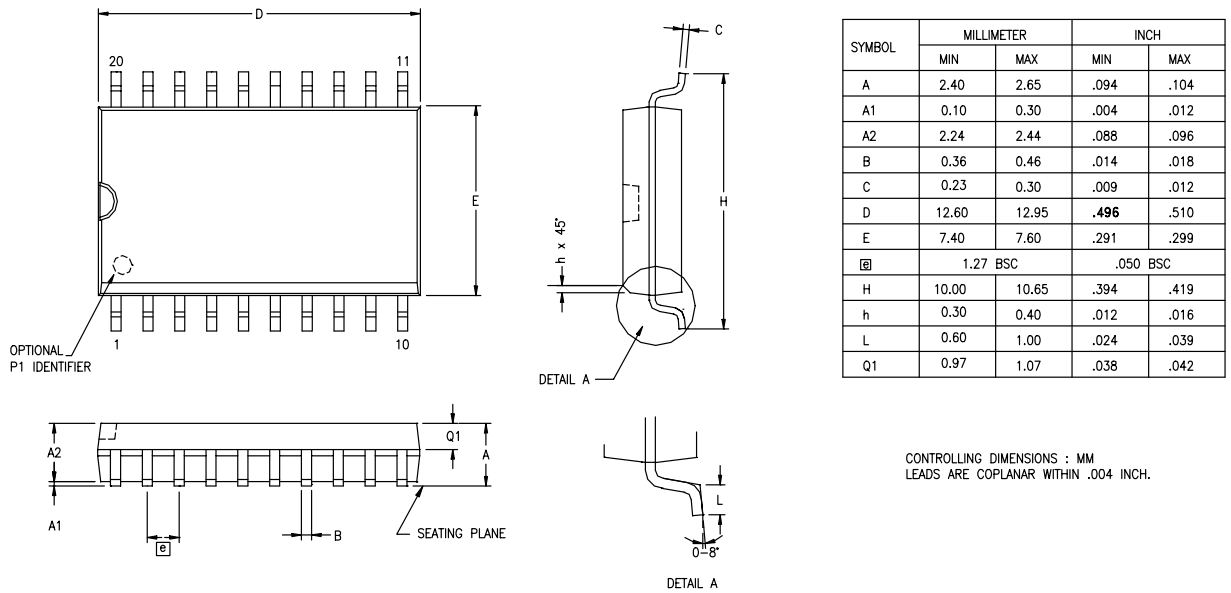


Figure 60. 20-Pin SOIC Package Diagram

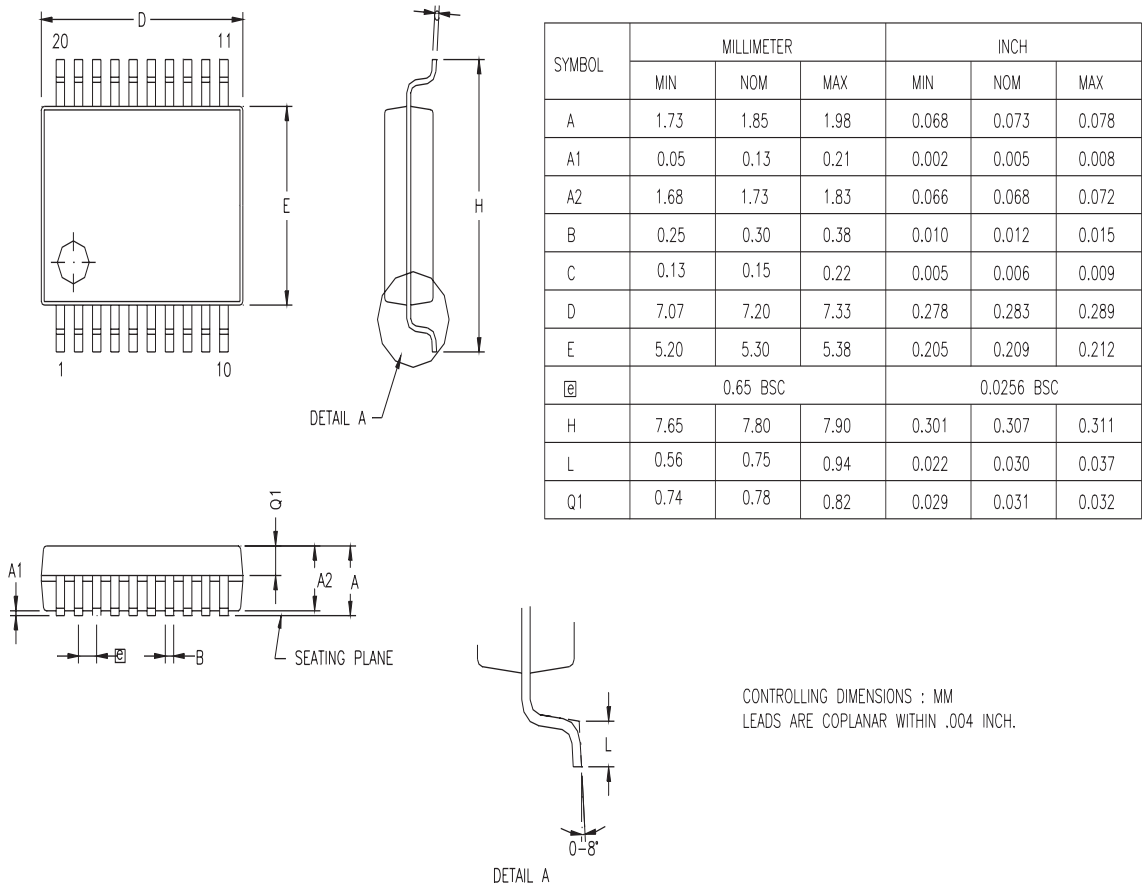


Figure 61. 20-Pin SSOP Package Diagram

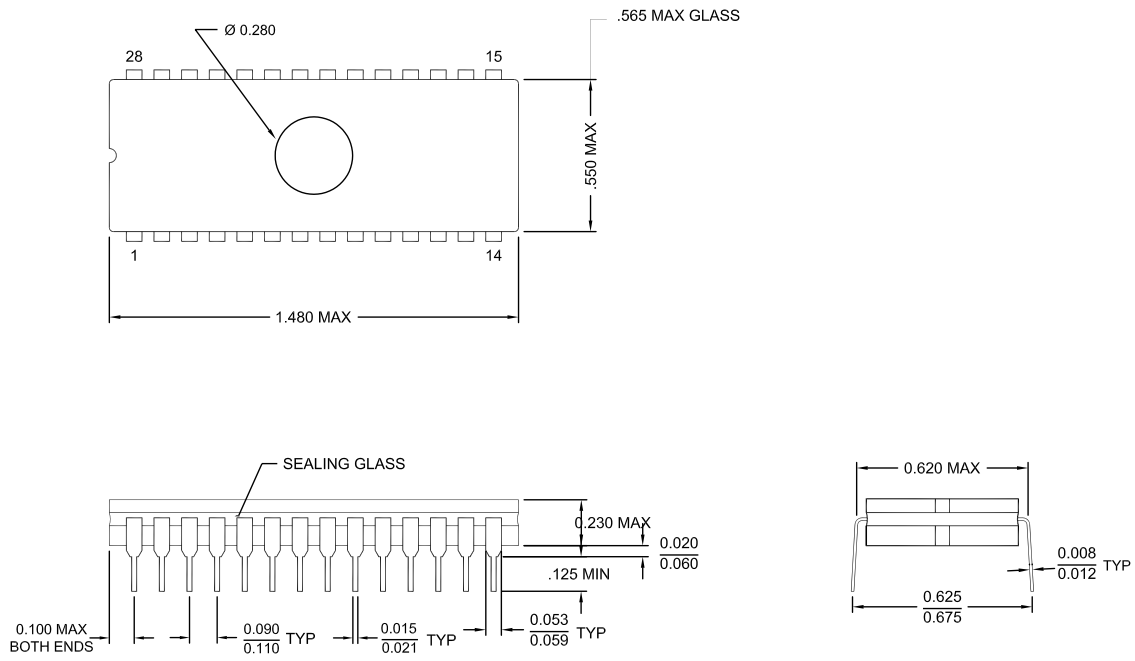
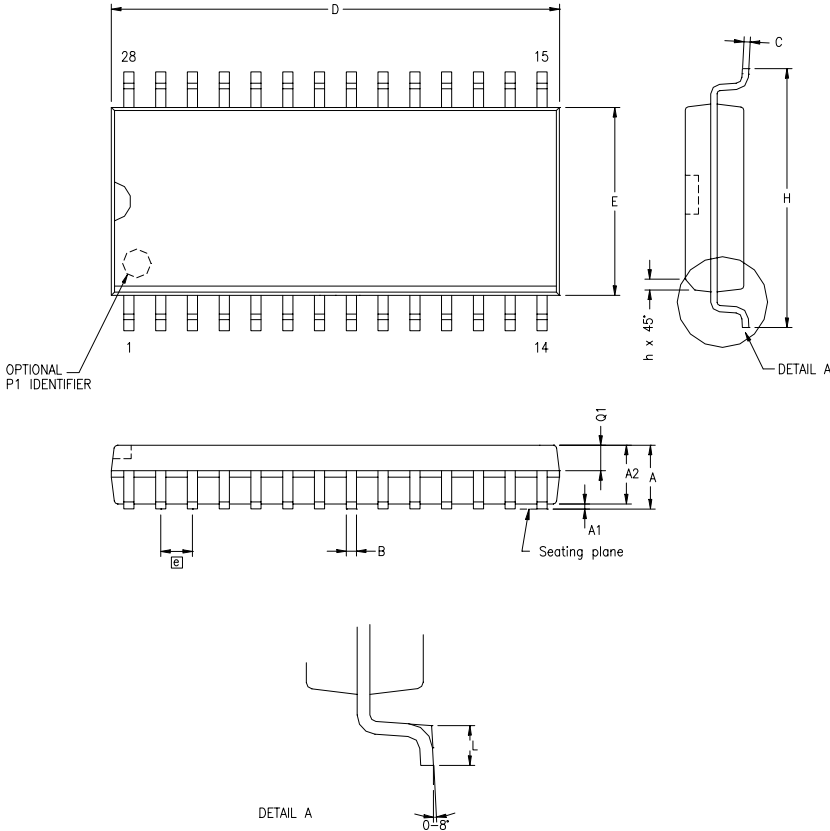


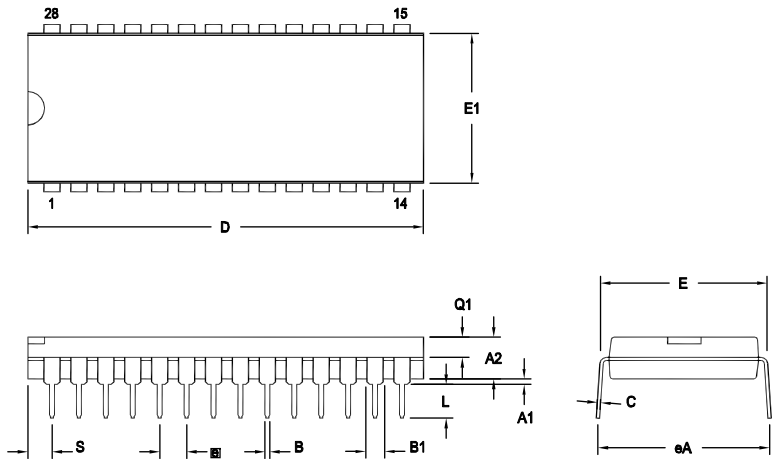
Figure 62. 28-Pin CDIP Package



SYMBOL	MILLIMETER		INCH	
	MIN	MAX	MIN	MAX
A	2.40	2.64	.094	.104
A1	0.10	0.30	.004	.012
A2	2.24	2.44	.088	.096
B	0.36	0.46	.014	.018
C	0.23	0.30	.009	.012
D	17.78	18.00	.700	.710
E	7.40	7.60	.291	.299
Ⓜ	1.27 BSC		.050 BSC	
H	10.00	10.65	.394	.419
h	0.30	0.71	.012	.028
L	0.61	1.00	.024	.039
Q1	0.97	1.09	.038	.043

CONTROLLING DIMENSIONS : MM
 LEADS ARE COPLANAR WITHIN .004 INCH.

Figure 63. 28-Pin SOIC Package Diagram



SYMBOL	OPT #	MILLIMETER		INCH	
		MIN	MAX	MIN	MAX
A1		0.38	1.02	.015	.040
A2		3.18	4.19	.125	.165
B		0.38	0.53	.015	.021
B1	01	1.40	1.65	.055	.065
	02	1.14	1.40	.045	.055
C		0.23	0.38	.009	.015
D	01	36.58	37.34	1.440	1.470
	02	35.31	35.94	1.390	1.415
E		15.24	15.75	.600	.620
E1	01	13.59	14.10	.535	.555
	02	12.83	13.08	.505	.515
[e]		2.54 TYP		.100 BSC	
eA		15.49	16.76	.610	.660
L		3.05	3.81	.120	.150
Q1	01	1.40	1.91	.055	.075
	02	1.40	1.78	.055	.070
S	01	1.52	2.29	.060	.090
	02	1.02	1.52	.040	.060

CONTROLLING DIMENSIONS : INCH

OPTION TABLE	
OPTION #	PACKAGE
01	STANDARD
02	IDF

Note: ZILOG supplies both options for production. Component layout PCB design should cover bigger option 01.

Figure 64. 28-Pin PDIP Package Diagram

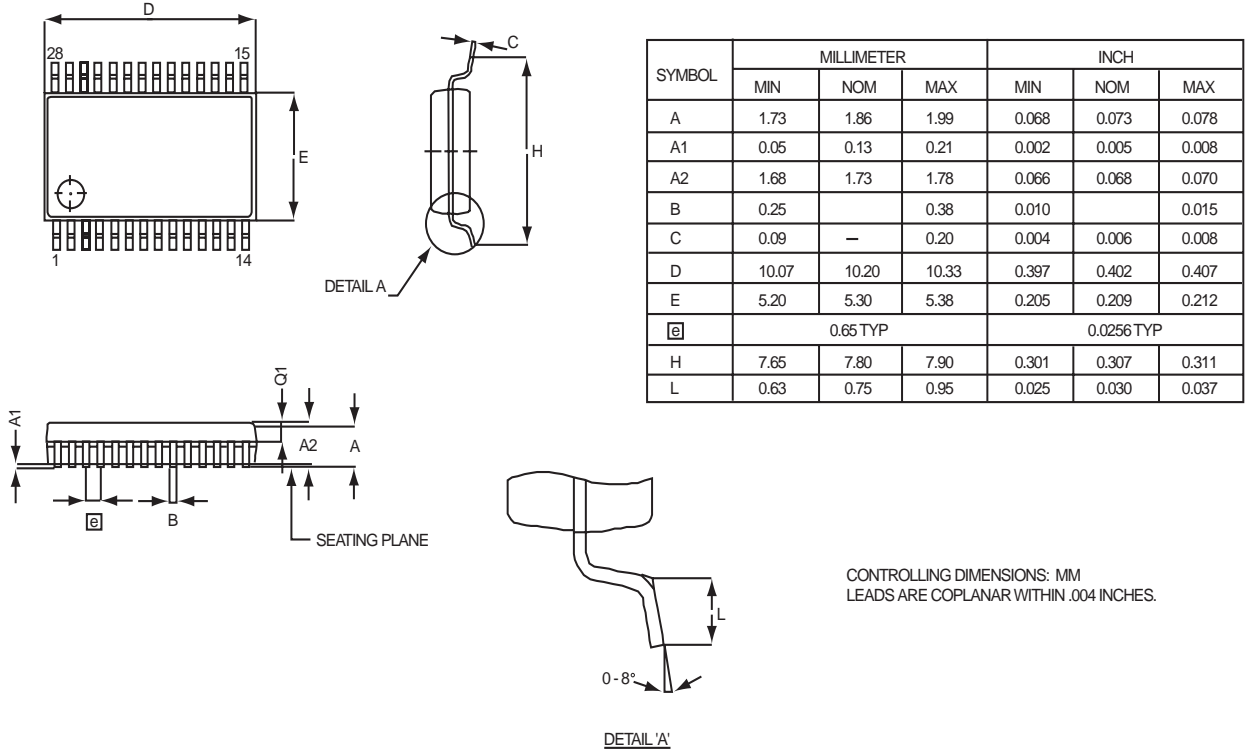


Figure 65. 28-Pin SSOP Package Diagram

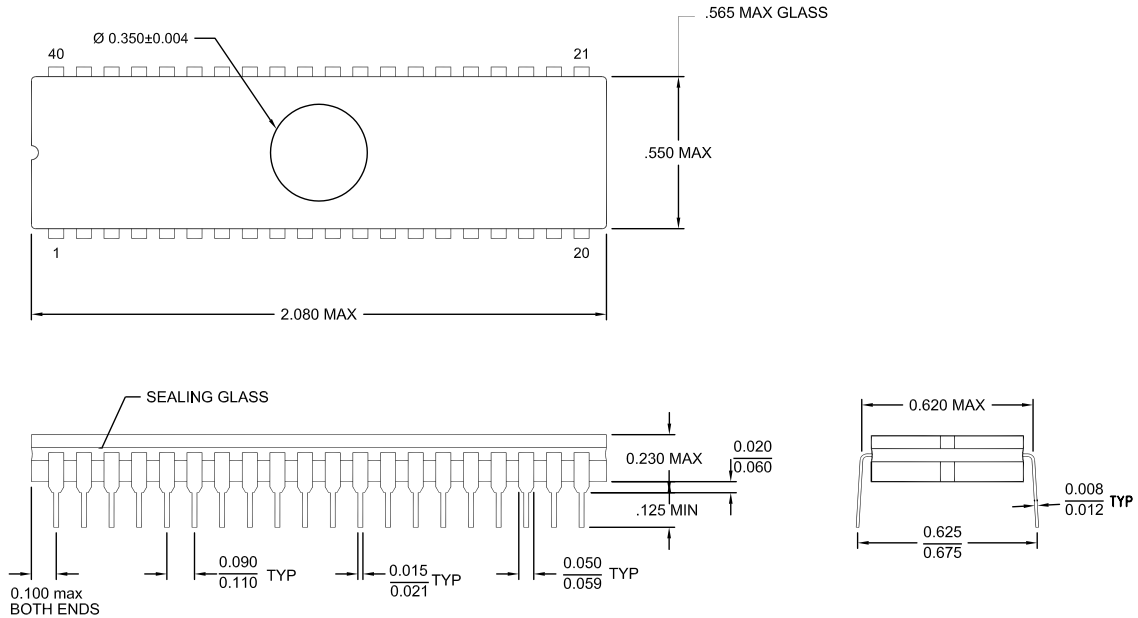


Figure 66. 40-Pin CDIP Package

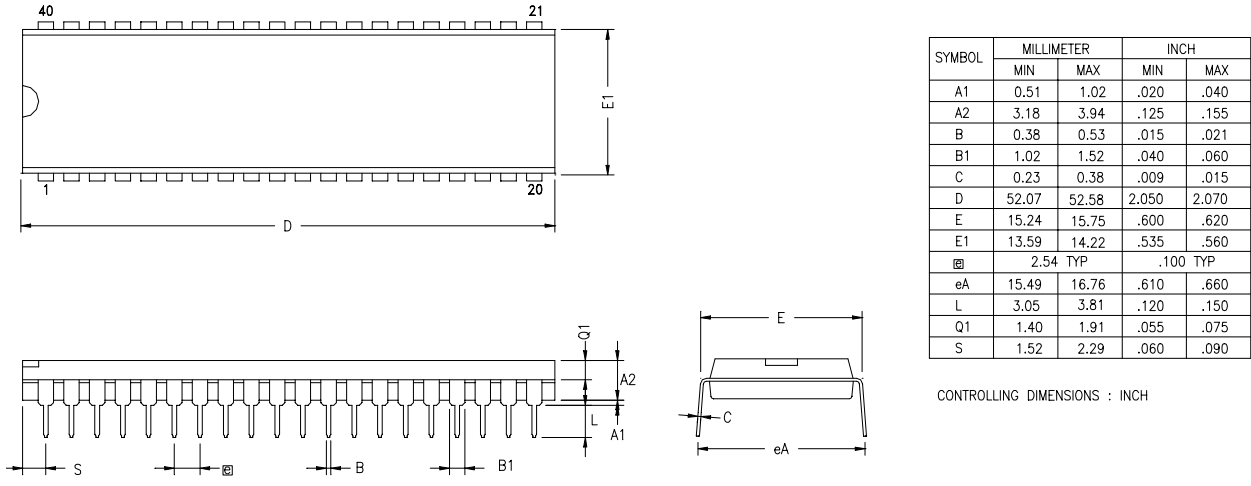
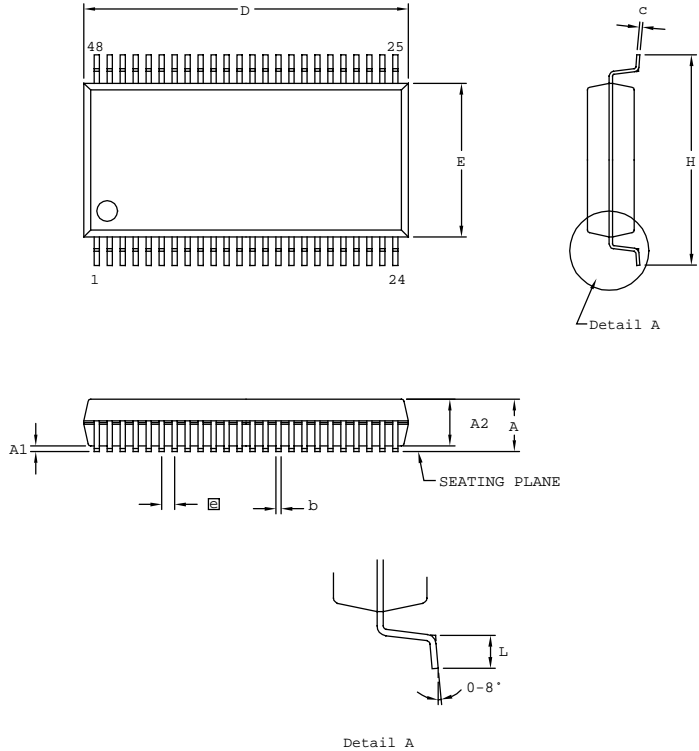


Figure 67. 40-Pin PDIP Package Diagram



SYMBOL	MILLIMETER		INCH	
	MIN	MAX	MIN	MAX
A	2.41	2.79	0.095	0.110
A1	0.23	0.38	0.009	0.015
A2	2.18	2.39	0.086	0.094
b	0.20	0.34	0.008	0.0135
c	0.13	0.25	0.005	0.010
D	15.75	16.00	0.620	0.630
E	7.39	7.59	0.291	0.299
ⓐ	0.635 BSC		0.025 BSC	
H	10.16	10.41	0.400	0.410
L	0.51	1.016	0.020	0.040

CONTROLLING DIMENSIONS : MM
 LEADS ARE COPLANAR WITHIN .004 INCH

Figure 68. 48-Pin SSOP Package Design

► **Note:** Check with Zilog® on the actual bonding diagram and coordinate for chip-on-board assembly.

Ordering Information

32 KB Standard Temperature: 0 °C to +70 °C

Part Number	Description	Part Number	Description
ZGP323LSH4832G	48-pin SSOP 32K OTP	ZGP323LSS2832G	28-pin SOIC 32K OTP
ZGP323LSP4032G	40-pin PDIP 32K OTP	ZGP323LSH2032G	20-pin SSOP 32K OTP
ZGP323LSH2832G	28-pin SSOP 32K OTP	ZGP323LSP2032G	20-pin PDIP 32K OTP
ZGP323LSP2832G	28-pin PDIP 32K OTP	ZGP323LSS2032G	20-pin SOIC 32K OTP
ZGP323LSK2032E	20-pin CDIP 32K OTP	ZGP323LSK4032E	40-pin CDIP 32K OTP
		ZGP323LSK2832E	28-pin CDIP 32K OTP

32 KB Extended Temperature: -40 °C to +105 °C

Part Number	Description	Part Number	Description
ZGP323LEH4832G	48-pin SSOP 32K OTP	ZGP323LES2832G	28-pin SOIC 32K OTP
ZGP323LEP4032G	40-pin PDIP 32K OTP	ZGP323LEH2032G	20-pin SSOP 32K OTP
ZGP323LEH2832G	28-pin SSOP 32K OTP	ZGP323LEP2032G	20-pin PDIP 32K OTP
ZGP323LEP2832G	28-pin PDIP 32K OTP	ZGP323LES2032G	20-pin SOIC 32K OTP

32 KB Automotive Temperature: -40 °C to +125 °C

Part Number	Description	Part Number	Description
ZGP323LAH4832G	48-pin SSOP 32K OTP	ZGP323LAS2832G	28-pin SOIC 32K OTP
ZGP323LAP4032G	40-pin PDIP 32K OTP	ZGP323LAH2032G	20-pin SSOP 32K OTP
ZGP323LAH2832G	28-pin SSOP 32K OTP	ZGP323LAP2032G	20-pin PDIP 32K OTP
ZGP323LAP2832G	28-pin PDIP 32K OTP	ZGP323LAS2032G	20-pin SOIC 32K OTP

16 KB Standard Temperature: 0 °C to +70 °C

Part Number	Description	Part Number	Description
ZGP323LSH4816G	48-pin SSOP 16K OTP	ZGP323LSS2816G	28-pin SOIC 16K OTP
ZGP323LSP4016G	40-pin PDIP 16K OTP	ZGP323LSH2016G	20-pin SSOP 16K OTP
ZGP323LSH2816G	28-pin SSOP 16K OTP	ZGP323LSP2016G	20-pin PDIP 16K OTP
ZGP323LSP2816G	28-pin PDIP 16K OTP	ZGP323LSS2016G	20-pin SOIC 16K OTP

16 KB Extended Temperature: -40 °C to +105 °C

Part Number	Description	Part Number	Description
ZGP323LEH4816G	48-pin SSOP 16K OTP	ZGP323LES2816G	28-pin SOIC 16K OTP
ZGP323LEP4016G	40-pin PDIP 16K OTP	ZGP323LES2016G	20-pin SOIC 16K OTP
ZGP323LEH2816G	28-pin SSOP 16K OTP	ZGP323LEH2016G	20-pin SSOP 16K OTP
ZGP323LEP2816G	28-pin PDIP 16K OTP	ZGP323LEP2016G	20-pin PDIP 16K OTP

16 KB Automotive Temperature: -40 °C to +125 °C

Part Number	Description	Part Number	Description
ZGP323LAH4816G	48-pin SSOP 16K OTP	ZGP323LAS2816G	28-pin SOIC 16K OTP
ZGP323LAP4016G	40-pin PDIP 16K OTP	ZGP323LAH2016G	20-pin SSOP 16K OTP
ZGP323LAH2816G	28-pin SSOP 16K OTP	ZGP323LAP2016G	20-pin PDIP 16K OTP
ZGP323LAP2816G	28-pin PDIP 16K OTP	ZGP323LAS2016G	20-pin SOIC 16K OTP

8 KB Standard Temperature: 0 °C to +70 °C

Part Number	Description	Part Number	Description
ZGP323LSH4808G	48-pin SSOP 8K OTP	ZGP323LSS2808G	28-pin SOIC 8K OTP
ZGP323LSP4008G	40-pin PDIP 8K OTP	ZGP323LSH2008G	20-pin SSOP 8K OTP
ZGP323LSH2808G	28-pin SSOP 8K OTP	ZGP323LSP2008G	20-pin PDIP 8K OTP
ZGP323LSP2808G	28-pin PDIP 8K OTP	ZGP323LSS2008G	20-pin SOIC 8K OTP

8 KB Extended Temperature: -40 °C to +105 °C

Part Number	Description	Part Number	Description
ZGP323LEH4808G	48-pin SSOP 8K OTP	ZGP323LES2808G	28-pin SOIC 8K OTP
ZGP323LEP4008G	40-pin PDIP 8K OTP	ZGP323LEH2008G	20-pin SSOP 8K OTP
ZGP323LEH2808G	28-pin SSOP 8K OTP	ZGP323LEP2008G	20-pin PDIP 8K OTP
ZGP323LEP2808G	28-pin PDIP 8K OTP	ZGP323LES2008G	20-pin SOIC 8K OTP

8 KB Automotive Temperature: -40 °C to +125 °C

Part Number	Description	Part Number	Description
ZGP323LAH4808G	48-pin SSOP 8K OTP	ZGP323LAS2808G	28-pin SOIC 8K OTP
ZGP323LAP4008G	40-pin PDIP 8K OTP	ZGP323LAH2008G	20-pin SSOP 8K OTP
ZGP323LAH2808G	28-pin SSOP 8K OTP	ZGP323LAP2008G	20-pin PDIP 8K OTP
ZGP323LAP2808G	28-pin PDIP 8K OTP	ZGP323LAS2008G	20-pin SOIC 8K OTP

4 KB Standard Temperature: 0 °C to +70 °C

Part Number	Description	Part Number	Description
ZGP323LSH4804G	48-pin SSOP 4K OTP	ZGP323LSS2804G	28-pin SOIC 4K OTP
ZGP323LSP4004G	40-pin PDIP 4K OTP	ZGP323LSH2004G	20-pin SSOP 4K OTP
ZGP323LSH2804G	28-pin SSOP 4K OTP	ZGP323LSP2004G	20-pin PDIP 4K OTP
ZGP323LSP2804G	28-pin PDIP 4K OTP	ZGP323LSS2004G	20-pin SOIC 4K OTP

4 KB Extended Temperature: –40 °C to +105 °C

Part Number	Description	Part Number	Description
ZGP323LEH4804G	48-pin SSOP 4K OTP	ZGP323LES2804G	28-pin SOIC 4K OTP
ZGP323LEP4004G	40-pin PDIP 4K OTP	ZGP323LEH2004G	20-pin SSOP 4K OTP
ZGP323LEH2804G	28-pin SSOP 4K OTP	ZGP323LEP2004G	20-pin PDIP 4K OTP
ZGP323LEP2804G	28-pin PDIP 4K OTP	ZGP323LES2004G	20-pin SOIC 4K OTP

4 KB Automotive Temperature: –40 °C to +125 °C

Part Number	Description	Part Number	Description
ZGP323LAH4804G	48-pin SSOP 4K OTP	ZGP323LAS2804G	28-pin SOIC 4K OTP
ZGP323LAP4004G	40-pin PDIP 4K OTP	ZGP323LAH2004G	20-pin SSOP 4K OTP
ZGP323LAH2804G	28-pin SSOP 4K OTP	ZGP323LAP2004G	20-pin PDIP 4K OTP
ZGP323LAP2804G	28-pin PDIP 4K OTP	ZGP323LAS2004G	20-pin SOIC 4K OTP

Additional Components

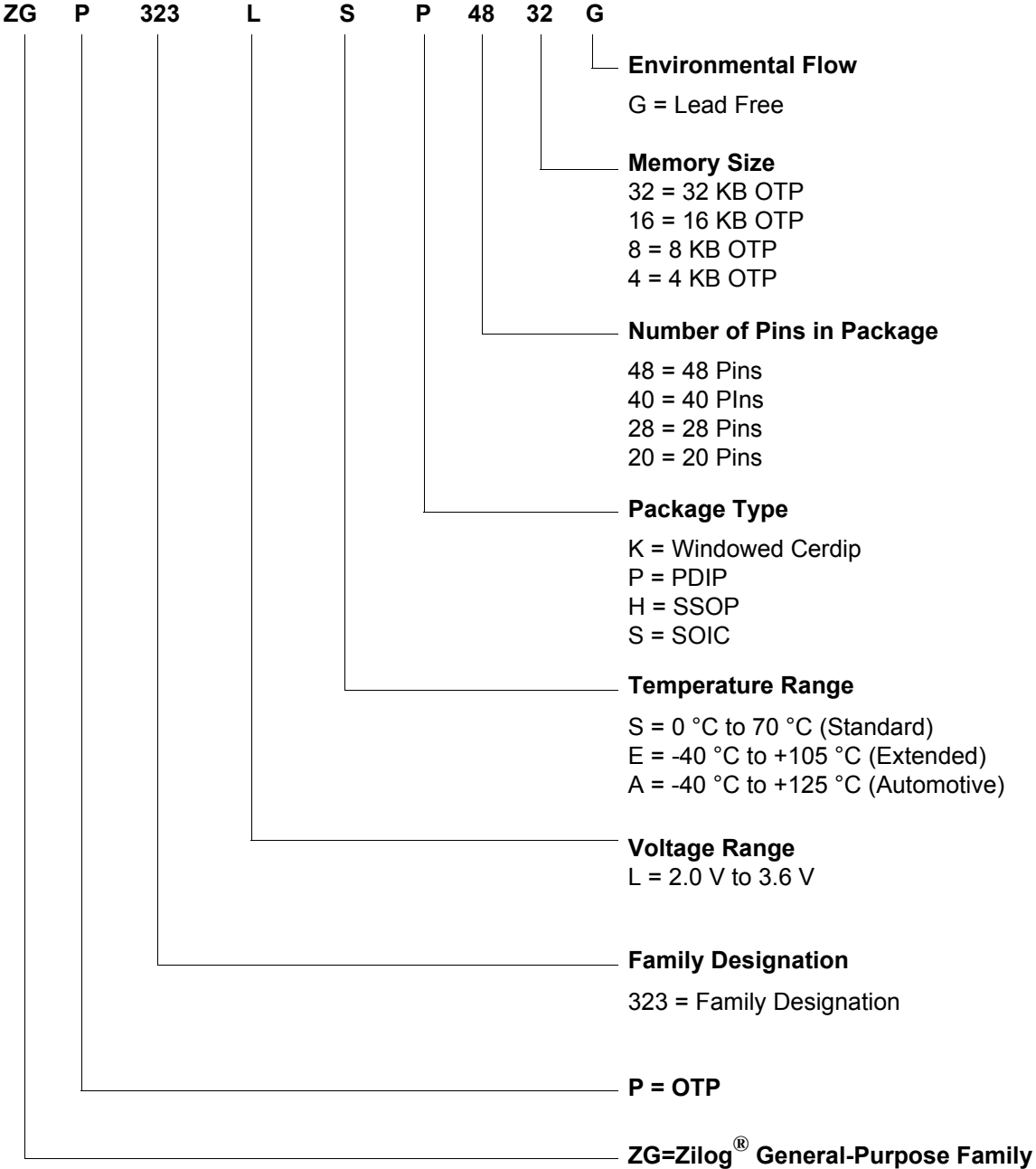
Part Number	Description	Part Number	Description
-------------	-------------	-------------	-------------

Visit the Zilog web site at www.zilog.com for ordering information on additional components and development tools for the ZGP323L.

For fast results, contact your local Zilog® sales office for assistance in ordering the part desired.



Example





Index

Numerics

16-bit counter/timer circuits 39
 20-pin DIP package diagram 85
 20-pin SSOP package diagram 86
 28-pin DIP package diagram 89
 28-pin SOIC package diagram 88
 28-pin SSOP package diagram 90
 40-pin DIP package diagram 91
 48-pin SSOP package diagram 92
 8-bit counter/timer circuits 35

A

absolute maximum ratings 75
 AC
 characteristics 82
 timing diagram 82
 address spaces, basic 1
 architecture 1
 expanded register file 21

B

basic address spaces 1
 block diagram, ZLP32300 functional 3
 block diagram, ZLR16300 functional 3

C

capacitance 76
 characteristics
 AC 82
 DC 76
 clock 46
 comparator inputs/outputs 17
 configuration
 port 0 11
 port 1 12
 port 2 13

port 3 14
 port 3 counter/timer 16
 counter/timer
 16-bit circuits 39
 8-bit circuits 35
 brown-out voltage/standby 57
 clock 46
 demodulation mode count capture flowchart 37
 demodulation mode flowchart 38
 EPROM selectable options 57
 glitch filter circuitry 33
 halt instruction 47
 input circuit 33
 interrupt block diagram 44
 interrupt types, sources and vectors 45
 oscillator configuration 46
 output circuit 42
 ping-pong mode 41
 port configuration register 48
 resets and WDT 56
 SCLK circuit 50
 stop instruction 47
 stop mode recovery register 49
 stop mode recovery register 2 54
 stop mode recovery source 52
 T16 demodulation mode 40
 T16 transmit mode 39
 T16_OUT in modulo-N mode 40
 T16_OUT in single-pass mode 40
 T8 demodulation mode 36
 T8 transmit mode 33
 T8_OUT in modulo-N mode 36
 T8_OUT in single-pass mode 36
 transmit mode flowchart 34
 voltage detection and flags 58
 watchdog timer mode register 55
 watchdog timer time select 56
 CTR(D)01h T8 and T16 Common Functions 28

D

DC characteristics 76
 demodulation mode
 count capture flowchart 37

- flowchart 38
- T16 40
- T8 36
- description
 - functional 18
 - pin 5

E

EPROM

- selectable options 57
- expanded register file 19
- expanded register file architecture 21
- expanded register file control registers 64
 - flag 73
 - interrupt mask register 72
 - interrupt priority register 71
 - interrupt request register 72
 - port 0 and 1 mode register 70
 - port 2 configuration register 68
 - port 3 mode register 69
 - port configuration register 68
 - register pointer 73
 - stack pointer high register 74
 - stack pointer low register 74
 - stop-mode recovery register 66
 - stop-mode recovery register 2 67
 - T16 control register 62
 - T8 and T16 common control functions register 61
 - T8/T16 control register 63
 - TC8 control register 58
 - watch-dog timer register 68

F

features

- standby modes 2

functional description

- counter/timer functional blocks 33
 - CTR(D)01h register 28
 - CTR0(D)00h register 26
 - CTR2(D)02h register 30
 - CTR3(D)03h register 32

- expanded register file 19
- expanded register file architecture 21
- HI16(D)09h register 25
- HI8(D)0Bh register 25
- L08(D)0Ah register 25
- L016(D)08h register 25
- program memory map 19
- RAM 18
- register description 57
- register file 23
- register pointer 22
- register pointer detail 24
- SMR2(F)0D1h register 33
- stack 24
- TC16H(D)07h register 25
- TC16L(D)06h register 26
- TC8H(D)05h register 26
- TC8L(D)04h register 26

G

- glitch filter circuitry 33

H

- halt instruction, counter/timer 47

I

- input circuit 33
- interrupt block diagram, counter/timer 44
- interrupt types, sources and vectors 45

L

- low-voltage detection register 57

M

- memory, program 18
- modulo-N mode
 - T16_OUT 40
 - T8_OUT 36

O

oscillator configuration 46
output circuit, counter/timer 42

P

package information
 20-pin DIP package diagram 85
 20-pin SSOP package diagram 86
 28-pin DIP package diagram 89
 28-pin SOIC package diagram 88
 28-pin SSOP package diagram 90
 40-pin DIP package diagram 91
 48-pin SSOP package diagram 92
pin configuration
 20-pin DIP/SOIC/SSOP 5
 28-pin DIP/SOIC/SSOP 6
 40- and 48-pin 8
 40-pin DIP 7
 48-pin SSOP 8
pin functions
 port 0 (P07 - P00) 11
 port 0 (P17 - P10) 12
 port 0 configuration 11
 port 1 configuration 12
 port 2 (P27 - P20) 12
 port 2 (P37 - P30) 13
 port 2 configuration 13
 port 3 configuration 14
 port 3 counter/timer configuration 16
 reset) 17
 XTAL1 (time-based input 10
 XTAL2 (time-based output) 10
ping-pong mode 41
port 0 configuration 11
port 0 pin function 11
port 1 configuration 12
port 1 pin function 12
port 2 configuration 13
port 2 pin function 12
port 3 configuration 14
port 3 pin function 13
port 3 counter/timer configuration 16
port configuration register 48

power connections 1
power supply 5
program memory 18
 map 19

R

ratings, absolute maximum 75
register 54
 CTR(D)01h 28
 CTR0(D)00h 26
 CTR2(D)02h 30
 CTR3(D)03h 32
 flag 73
 HI16(D)09h 25
 HI8(D)0Bh 25
 interrupt priority 71
 interrupt request 72
 interruptmask 72
 L016(D)08h 25
 L08(D)0Ah 25
 LVD(D)0Ch 57
 pointer 73
 port 0 and 1 70
 port 2 configuration 68
 port 3 mode 69
 port configuration 48, 68
 SMR2(F)0Dh 33
 stack pointer high 74
 stack pointer low 74
 stop mode recovery 49
 stop mode recovery 2 54
 stop-mode recovery 66
 stop-mode recovery 2 67
 T16 control 62
 T8 and T16 common control functions 61
 T8/T16 control 63
 TC16H(D)07h 25
 TC16L(D)06h 26
 TC8 control 58
 TC8H(D)05h 26
 TC8L(D)04h 26
 voltage detection 64
 watchdog timer 68

register description

- Counter/Timer2 LS-Byte Hold 26
- Counter/Timer2 MS-Byte Hold 25
- Counter/Timer8 Control 26
- Counter/Timer8 High Hold 26
- Counter/Timer8 Low Hold 26
- CTR2 Counter/Timer 16 Control 30
- CTR3 T8/T16 Control 32
- Stop Mode Recovery2 33
- T16_Capture_LO 25
- T8 and T16 Common functions 28
- T8_Capture_HI 25
- T8_Capture_LO 25

register file 23

- expanded 19

register pointer 22

- detail 24

reset pin function 17

resets and WDT 56

S

SCLK circuit 50

single-pass mode

- T16_OUT 40

- T8_OUT 36

stack 24

standard test conditions 75

standby modes 2

stop instruction, counter/timer 47

stop mode recovery

- 2 register 54

- source 52

stop mode recovery 2 54

stop mode recovery register 49

T

T16 transmit mode 39

T16_Capture_HI 25

T8 transmit mode 33

T8_Capture_HI 25

test conditions, standard 75

test load diagram 76

timing diagram, AC 82

transmit mode flowchart 34

V

VCC 5

voltage

- brown-out/standby 57

- detection and flags 58

voltage detection register 64

W

watchdog timer

- mode register watchdog timer mode register 55

- time select 56

X

XTAL1 5

XTAL1 pin function 10

XTAL2 5

XTAL2 pin function 10

Customer Support

For answers to technical questions about the product, documentation, or any other issues with Zilog's offerings, please visit Zilog's Knowledge Base at <http://www.zilog.com/kb>.

For any comments, detail technical questions, or reporting problems, please visit Zilog's Technical Support at <http://support.zilog.com>.