

PRODUCT BRIEF

Z85233

EMSCC™ ENHANCED MONO SERIAL COMMUNICATION CONTROLLER

FEATURES

- Hardware and software compatible with Zilog's SCC/ESCC™
- Deeper Data FIFOs
 - 4-Byte Transmit FIFO
 - 8-Byte Receive FIFO
- Programmable FIFO Interrupt Levels Provide Flexible Interrupt Response
- Many Improvements to Support SDLC/HDLC Transfers:
 - Deactivation of /RTS Pin after Closing Flag
 - Automatic Transmission of the Opening Flag
 - Automatic Reset of Tx Underrun/EOM Latch
 - Complete CRC Reception
 - TxD pin Automatically Forced High with NRZI Encoding when Using Mark Idle.
 - Receive FIFO Automatically Unlocked for Special Receive Interrupts when Using the SDLC Status FIFO.
 - Back-to-Back Frame Transmission Simplified
- Easier Interface to Popular CPUs
- Fast Speeds:
 - 10.0 MHz for Data Rates up to 2.5 Mbit/Sec.
 - 16.384 MHz for Data Rates up to 4.096 Mbit/Sec.
 - 20.0 MHz for Data Rates up to 5.0 Mbit/Sec.
- Improved SDLC Frame Status FIFO
- Low Power CMOS
- New Programmable Features Added with Write Register 7'
- Write registers: WR3, WR4, WR5, and WR10 are Now Readable
- Read Register 0 Latched During Access
- Software Interrupt Acknowledge Mode
- DPLL Counter Output Available as Jitter-Free Clock Source
- /DTR//REQ Pin Deactivation Time Reduced
- A Full-Duplex Channel with a Crystal Oscillator, Baud Rate Generator, and Digital Phase-Locked Loop.
- Multi-Protocol Operation Under Program Control
- Asynchronous Mode/Synchronous Mode

GENERAL DESCRIPTION

The Zilog Enhanced Mono Serial Communication Controller, Z85233 EMSCC, is a software compatible CMOS member of the SCC family introduced by Zilog in 1981. The EMSCC is a full-duplex data communications controller capable of supporting a wide range of popular protocols. The Z85233 EMSCC is a single channel version (Channel A) of Zilog's Z85230 ESCC. Based on Zilog's unique Superintegration™ Technology, the EMSCC is compatible with designs using Zilog's SCC and ESCC to receive and transmit data. It has many improvements that significantly reduce CPU overhead. The addition of a 4-byte transmit FIFO and an 8-byte receive FIFO significantly reduces the overhead

required to provide data to, and get data from, the transmitter and receiver.

The EMSCC also has many features that improve packet handling in SDLC mode. The EMSCC will automatically: transmit a flag before the data, reset the Tx Underrun/EOM latch, force the TxD pin high at the appropriate time when using NRZI encoding, deassert the /RTS pin after the closing flag, and better handle ABORTed frames when using the 10x19 status FIFO. The combination of these features along with the deeper data FIFOs significantly simplifies SDLC driver software.

GENERAL DESCRIPTION *(Continued)*

The CPU hardware interface has been simplified by relieving the databus setup time requirement and supporting the software generation of the interrupt acknowledge signal (/INTACK). These changes allow an interface with less external logic to many microprocessor families while maintaining compatibility with existing designs. I/O handling of the EMSCC is improved over the SCC with faster response of the /INT and /DTR//REQ pins.

The many enhancements added to the EMSCC permits a system design that increases overall system performance with better data handling and less interface logic.

Notes:

All Signals with a preceding front slash, "/", are active Low, e.g.: B//W (WORD is active Low); /B/W (BYTE is active Low, only).

Power connections follow conventional descriptions below:

Connection	Circuit	Device
Power	V_{CC}	V_{DD}
Ground	GND	V_{SS}

© 1997 by Zilog, Inc. All rights reserved. No part of this document may be copied or reproduced in any form or by any means without the prior written consent of Zilog, Inc. The information in this document is subject to change without notice. Devices sold by Zilog, Inc. are covered by warranty and patent indemnification provisions appearing in Zilog, Inc. Terms and Conditions of Sale only.

ZILOG, INC. MAKES NO WARRANTY, EXPRESS, STATUTORY, IMPLIED OR BY DESCRIPTION, REGARDING THE INFORMATION SET FORTH HEREIN OR REGARDING THE FREEDOM OF THE DESCRIBED DEVICES FROM INTELLECTUAL PROPERTY INFRINGEMENT. ZILOG, INC. MAKES NO WARRANTY OF MERCHANTABILITY OR FITNESS FOR ANY PURPOSE.

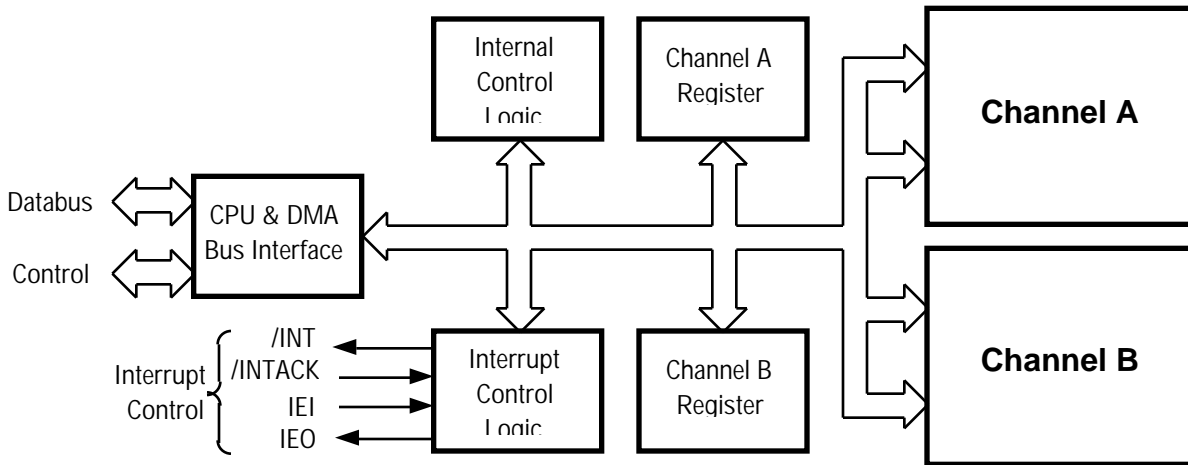
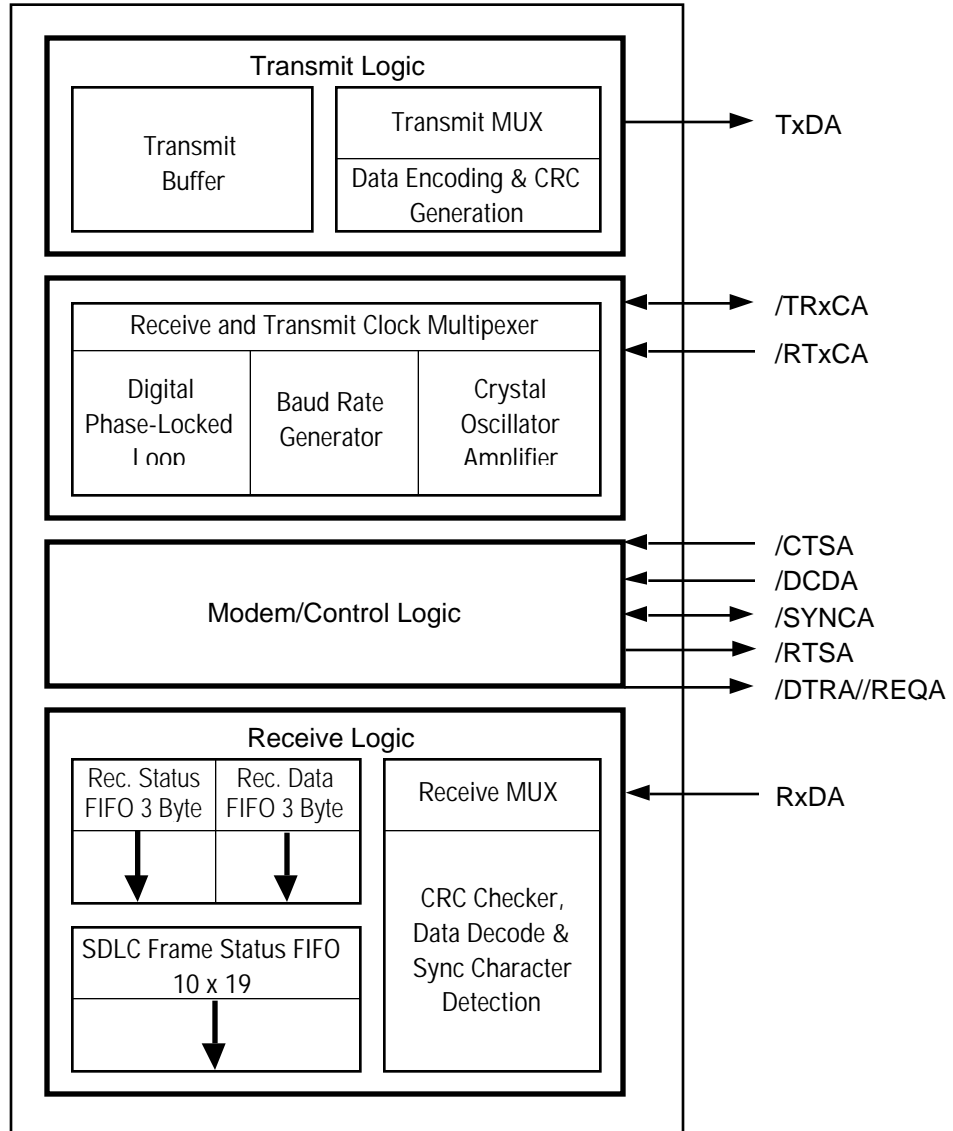
Zilog, Inc. shall not be responsible for any errors that may appear in this document. Zilog, Inc. makes no commitment to update or keep current the information contained in this document.

Zilog's products are not authorized for use as critical components in life support devices or systems unless a specific written agreement pertaining to such intended use is executed between the customer and Zilog prior to use. Life support devices or systems are those which are intended for surgical implantation into the body, or which sustains life whose failure to perform, when properly used in accordance with instructions for use provided in the labeling, can be reasonably expected to result in significant injury to the user.

Zilog, Inc. 210 East Hacienda Ave.
Campbell, CA 95008-6600
Telephone (408) 370-8000
Telex 910-338-7621
FAX 408 370-8056
Internet: <http://www.zilog.com>

GENERAL DESCRIPTION (Continued)

Channel A
Exploded View



Z85233 Functional Block Diagram