

IEC connector C19, rewirable, angled

new



4790

C19



70 °C

**Description**

- Rewireable connector for cable 90° entry:
Screwing cable terminal,
- Connector, Pin temperature 70 °C, Protection class I
- Screw Clamp

Approvals

- VDE License Number: 40009206
- CSA License Number: 205419

Characteristics

- Qualified for use in equipment according IEC/EN 60950

Weblinks

[Approvals](#), [RoHS](#), [CHINA-RoHS](#), [e-Store](#), [SCHURTER-Stock-Check](#), [Distributor-Stock-Check](#)

Technical Data

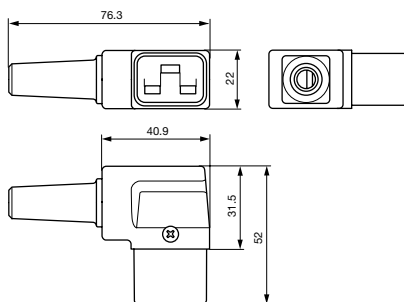
Ratings IEC	16A / 250VAC; 50Hz
Ratings UL/CSA	21A / 250VAC; 60Hz
Dielectric Strength	> 2 kVAC between L-N > 2 kVAC between L/N-PE (1 min/50Hz)
Allowable Operation Temp.	-25 °C to 70 °C
Protection Class	Suitable for appliances with protection class I acc. to IEC 61140
Terminal	Screw
Material: Housing	Thermoplastic, black, UL 94V-0

Appliance-Inlet/-Outlet	C19 acc. to IEC/EN 60320-1, UL 498, CSA C22.2 no. 42 (for cold conditions) pin-temperature 70 °C, 16A, Protection class I
-------------------------	--

Dimensions

4790

Length |-----| 76 mm

**Variants**
[Distributor-Stock-Check](#) | [SCHURTER-Stock-Check](#) | [e-Store](#)

Color	Max. cable diameter	Max. wire size	Order Number
black	8.7 mm	3 x 1.5 mm ² / 3 x 16 AWG	4790.1100
black	10.0 mm	3 x 2.1 mm ² / 3 x 14 AWG	4790.1200

Max. torque for screws: Terminal: 0.5 Nm, Cable clamp: 0.3 Nm, Cover: 0.3 Nm

Packaging unit

100 Pcs

Mating Inlets/Plugs

Category / Description

Appliance Inlet



IEC appliance inlet C20, screw-on mounting, rear side, PCB terminal	1601
IEC appliance inlet C20, screw-on mounting, front side, solder/quick connect/screw terminals	1621
IEC appliance inlet C20, snap-in mounting, front side, solder/quick connect terminal	4793
IEC appliance inlet C24, snap-in mounting, front side, solder/quick connect terminal	4794
IEC appliance inlet C20, screw-on mounting, front side, solder/quick connect terminal	4798



Appliance inlets/-outlets

IEC gender changer IEC C20 / IEC J, screw-on mounting	4730
---	------

Plug Connector



IEC plug connector I, rewirable, straight	0106
IEC plug connector I, rewirable, angled	1611
IEC plug connector I, rewirable, straight	1612
IEC plug connector I, rewirable, angled	4789
IEC plug connector I, rewirable, straight	4796



Power Entry Module

IEC Appliance Connector C20 with GeräteschutzLine Switch, 70°C	1624-K
IEC Appliance Coupler C20 with Line Switch, 1- or 2-pole	EC11
IEC appliance inlet C20 with circuit breaker 1- or 2-pole	EF11
	EG11



Power Entry Module with line filter

Inlet C20 with filter, ECO design, front or rear side mounting	5130
Inlet filter, front or rear side mounting	C20F
Inlet filter, front side mounting, line switch 2-pole	EC12
Inlet filter, front side mounting, recessed circuit breaker TA45 2-pole	EF12
	EG12