

## ISO HIGH SIDE SMART POWER SOLID STATE RELAY

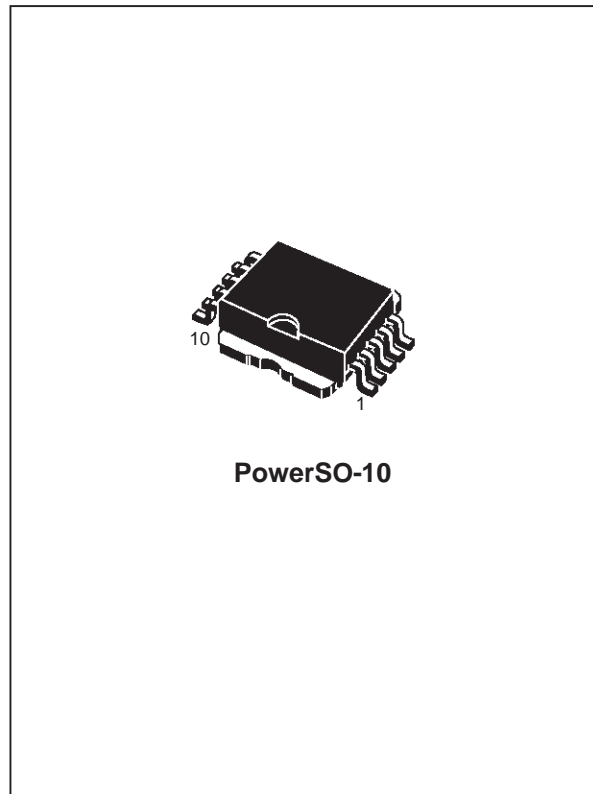
TYPE	V <sub>DSS</sub>	R <sub>DS(on)</sub>	I <sub>OUT</sub>	V <sub>CC</sub>
VND10BSP	40 V	0.1 Ω	3.4 A	26 V

- OUTPUT CURRENT (CONTINUOUS):  
14A @ T<sub>c</sub> = 85°C PER CHANNEL
- 5V LOGIC LEVEL COMPATIBLE INPUT
- THERMAL SHUT-DOWN
- UNDER VOLTAGE PROTECTION
- OPEN DRAIN DIAGNOSTIC OUTPUT
- INDUCTIVE LOAD FAST  
DEMAGNETIZATION
- VERY LOW STAND-BY POWER  
DISSIPATION

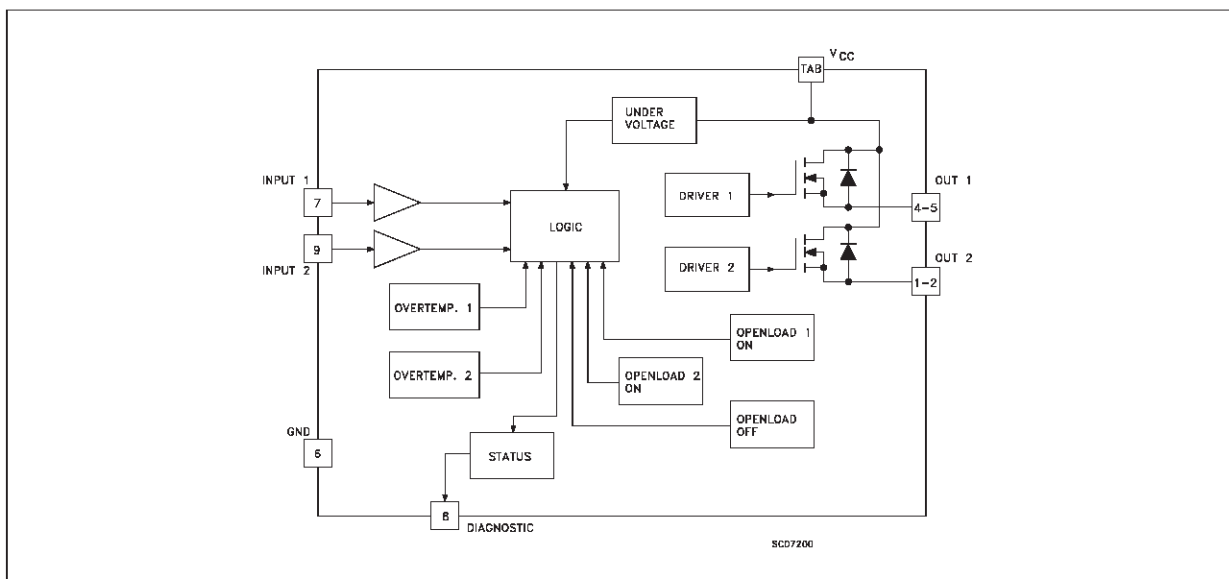
### DESCRIPTION

The VND10BSP is a monolithic device made using SGS-THOMSON Vertical Intelligent Power Technology, intended for driving resistive or inductive loads with one side grounded. This device has two channels, and a common diagnostic. Built-in thermal shut-down protects the chip from over temperature and short circuit.

The status output provides an indication of open load in on state, open load in off state, overtemperature conditions and stuck-on to V<sub>CC</sub>.



### BLOCK DIAGRAM

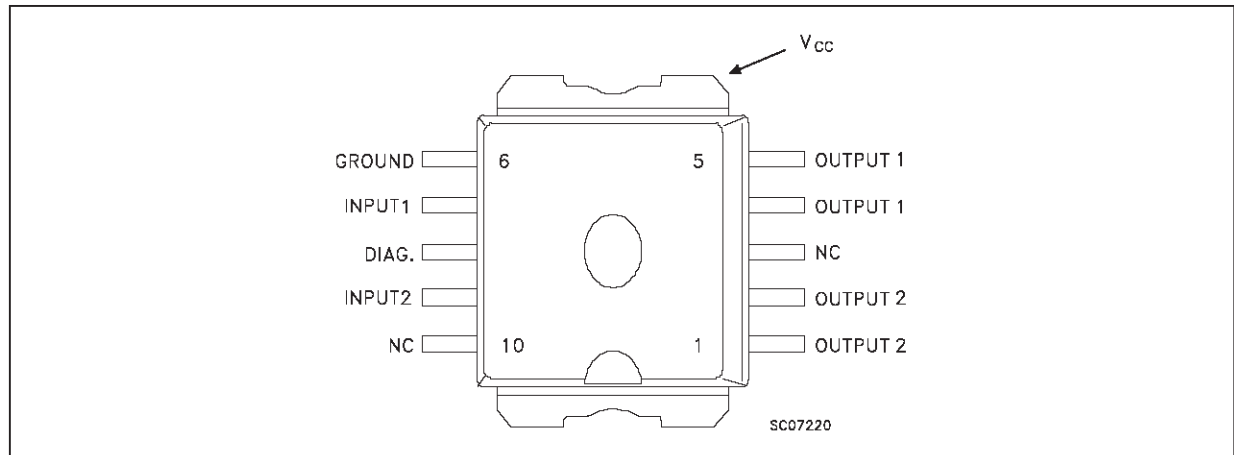


# VND10BSP

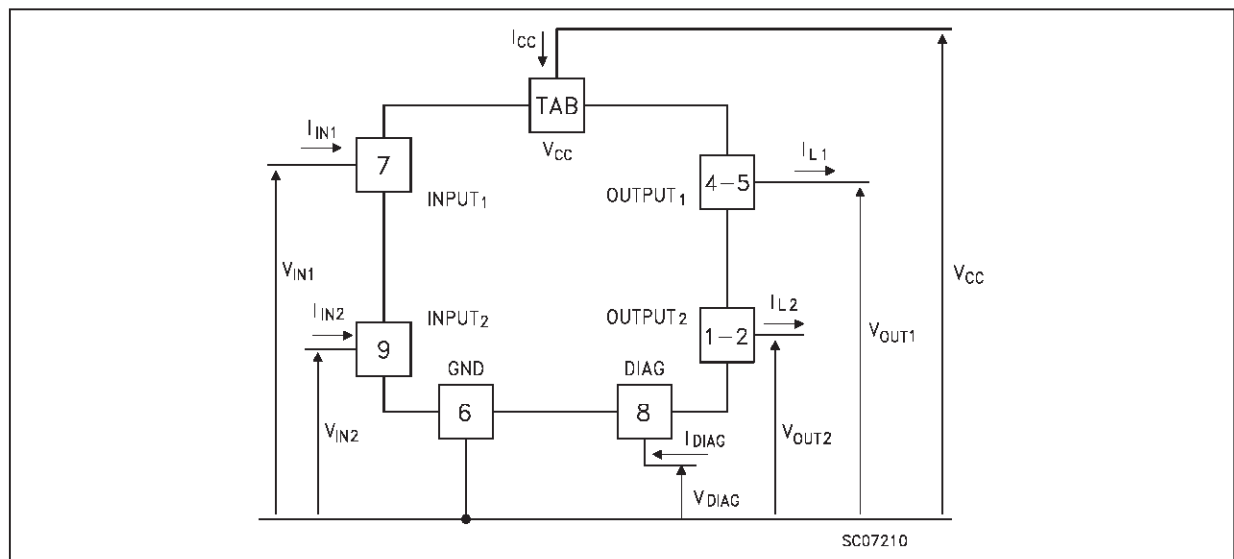
## ABSOLUTE MAXIMUM RATING

Symbol	Parameter	Value	Unit
$V_{(BR)DSS}$	Drain-Source Breakdown Voltage	40	V
$I_{OUT}$	Output Current (cont.) at $T_c = 85\text{ }^\circ\text{C}$	14	A
$I_{OUT(RMS)}$	RMS Output Current at $T_c = 85\text{ }^\circ\text{C}$ and $f > 1\text{ Hz}$	14	A
$I_R$	Reverse Output Current at $T_c = 85\text{ }^\circ\text{C}$	-14	A
$I_{IN}$	Input Current	$\pm 10$	mA
$-V_{CC}$	Reverse Supply Voltage	-4	V
$I_{STAT}$	Status Current	$\pm 10$	mA
$V_{ESD}$	Electrostatic Discharge (1.5 k $\Omega$ , 100 pF)	2000	V
$P_{tot}$	Power Dissipation at $T_c = 25\text{ }^\circ\text{C}$	75	W
$T_j$	Junction Operating Temperature	-40 to 150	$^\circ\text{C}$
$T_{stg}$	Storage Temperature	-55 to 150	$^\circ\text{C}$

## CONNECTION DIAGRAMS



## CURRENT AND VOLTAGE CONVENTIONS



## THERMAL DATA

R <sub>thj-case</sub>	Thermal Resistance Junction-case	Max	1.65	°C/W
R <sub>thj-amb</sub>	Thermal Resistance Junction-ambient (\$)	Max	60	°C/W

(\$) When mounted using minimum recommended pad size on FR-4 board

ELECTRICAL CHARACTERISTICS (8 < V<sub>CC</sub> < 16 V; -40 ≤ T<sub>j</sub> ≤ 125 °C unless otherwise specified)

## POWER

Symbol	Parameter	Test Conditions	Min.	Typ.	Max.	Unit
V <sub>CC</sub>	Supply Voltage		6	13	26	V
I <sub>n</sub> (*)	Nominal Current	T <sub>c</sub> = 85 °C V <sub>DS(on)</sub> ≤ 0.5 V <sub>CC</sub> = 13 V	3.4		5.2	A
R <sub>on</sub>	On State Resistance	I <sub>OUT</sub> = I <sub>n</sub> V <sub>CC</sub> = 13 V T <sub>j</sub> = 25 °C	0.065		0.1	Ω
I <sub>S</sub>	Supply Current	Off State T <sub>j</sub> = 25 °C V <sub>CC</sub> = 13 V		35	100	μA
V <sub>DS(MAX)</sub>	Maximum Voltage Drop	I <sub>OUT</sub> = 7.5 A T <sub>j</sub> = 85 °C V <sub>CC</sub> = 13 V	1.2		2	V
R <sub>i</sub>	Output to GND internal Impedance	T <sub>j</sub> = 25 °C	5	10	20	KΩ

## SWITCHING

Symbol	Parameter	Test Conditions	Min.	Typ.	Max.	Unit
t <sub>d(on)</sub> (^)	Turn-on Delay Time Of Output Current	R <sub>out</sub> = 2.7 Ω	5	35	200	μs
t <sub>r</sub> (^)	Rise Time Of Output Current	R <sub>out</sub> = 2.7 Ω	28	110	360	μs
t <sub>d(off)</sub> (^)	Turn-off Delay Time Of Output Current	R <sub>out</sub> = 2.7 Ω	10	140	500	μs
t <sub>f</sub> (^)	Fall Time Of Output Current	R <sub>out</sub> = 2.7 Ω	28	75	360	μs
(di/dt) <sub>on</sub>	Turn-on Current Slope	R <sub>out</sub> = 2.7 Ω	0.003		0.1	A/μs
(di/dt) <sub>off</sub>	Turn-off Current Slope	R <sub>out</sub> = 2.7 Ω	0.005		0.1	A/μs

## LOGIC INPUT

Symbol	Parameter	Test Conditions	Min.	Typ.	Max.	Unit
V <sub>IL</sub>	Input Low Level Voltage				1.5	V
V <sub>IH</sub>	Input High Level Voltage		3.5		(•)	V
V <sub>I(hyst.)</sub>	Input Hysteresis Voltage		0.2	0.9	1.5	V
I <sub>IN</sub>	Input Current	V <sub>IN</sub> = 5 V T <sub>j</sub> = 25 °C		30	100	μA
V <sub>ICL</sub>	Input Clamp Voltage	I <sub>IN</sub> = 10 mA I <sub>IN</sub> = -10 mA	5	6 -0.7	7	V V

**ELECTRICAL CHARACTERISTICS** (continued)  
**PROTECTION AND DIAGNOSTICS**

Symbol	Parameter	Test Conditions	Min.	Typ.	Max.	Unit
V <sub>STAT</sub>	Status Voltage Output Low	I <sub>STAT</sub> = 1.6 mA			0.4	V
V <sub>USD</sub>	Under Voltage Shut Down		3.5	4.5	6	V
V <sub>SCL</sub>	Status Clamp Voltage	I <sub>STAT</sub> = 10 mA I <sub>STAT</sub> = -10 mA	5	6 -0.7	7	V V
T <sub>TSD</sub>	Thermal Shut-down Temperature		140	160	180	°C
T <sub>SD(hyst.)</sub>	Thermal Shut-down Hysteresis				50	°C
T <sub>R</sub>	Reset Temperature		125			°C
V <sub>OL</sub>	Open Voltage Level	Off-State (note 2)	2.5	4	5	V
I <sub>OL</sub>	Open Load Current Level	On-State	0.6	0.9	1.4	A
t <sub>povl</sub>	Status Delay	(note 3)		5	10	µs
t <sub>poi</sub>	Status Delay	(note 3)	50	500	2500	µs

(\*) I<sub>n</sub>= Nominal current according to ISO definition for high side automotive switch (see note 1)

NOTE = (^) See switching time waveform

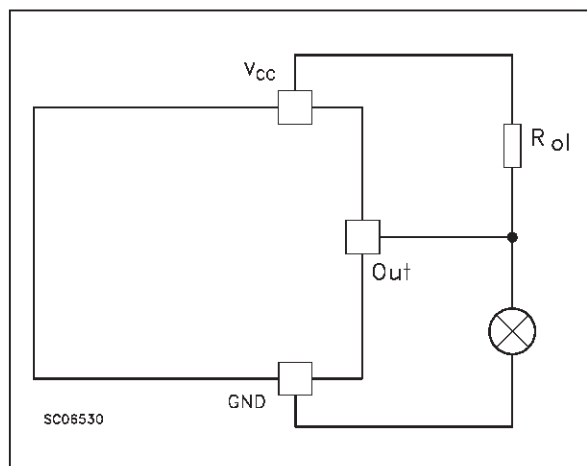
NOTE = (•) The V<sub>IH</sub> is internally clamped at 6V about. It is possible to connect this pin to an higher voltage via an external resistor calculated to not exceed 10 mA at the input pin.

NOTE = note 1: The Nominal Current is the current at T<sub>c</sub> = 85 °C for battery voltage of 13V which produces a voltage drop of 0.5 V

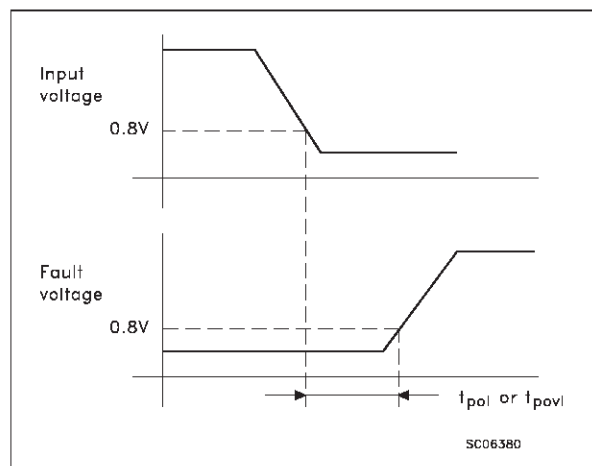
NOTE = note 2: I<sub>OL(off)</sub> = (V<sub>CC</sub> - V<sub>OL</sub>)/R<sub>OL</sub>

note 3: t<sub>povl</sub> t<sub>poi</sub>: ISO definition.

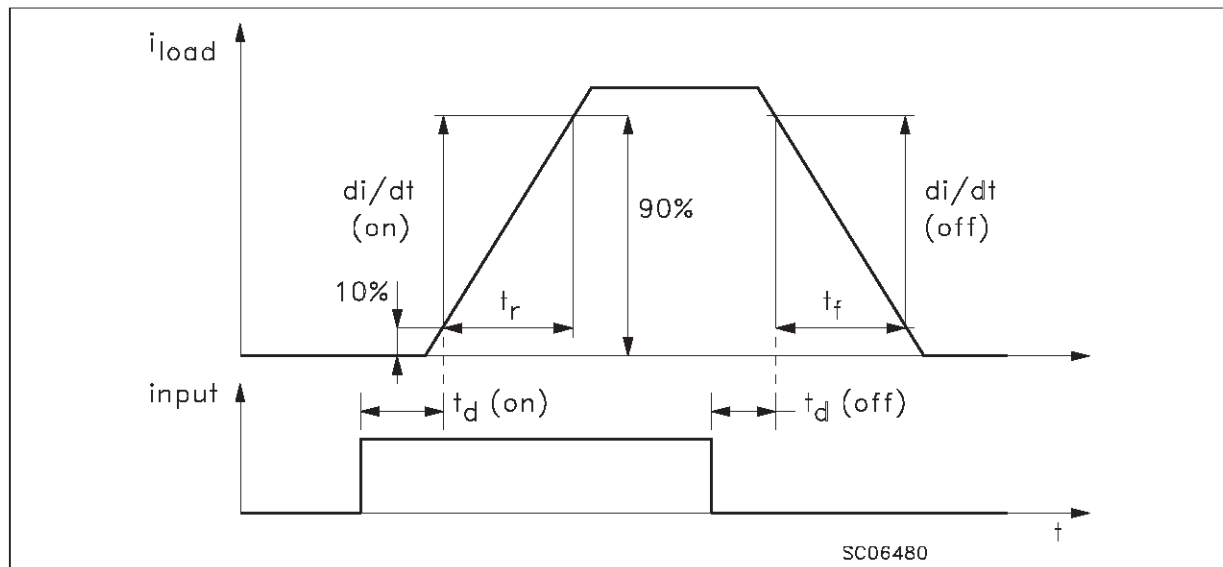
Note 2 Relevant Figure



Note 3 Relevant Figure



## Switching Time Waveforms

**FUNCTIONAL DESCRIPTION**

The device has a diagnostic output which indicates open load in on-state, open load in off-state, over temperature conditions and stuck-on to  $V_{CC}$ .

From the falling edge of the input signal, the status output, initially low to signal a fault condition (overtemperature or open load on-state), will go back to a high state with a different delay in case of overtemperature ( $tpovl$ ) and in case of open load ( $tpol$ ) respectively. This feature allows to discriminate the nature of the detected fault. To protect the device against short circuit and over current condition, the thermal protection turns the integrated Power MOS off at a minimum junction temperature of  $140\text{ }^{\circ}\text{C}$ . When this temperature returns to  $125\text{ }^{\circ}\text{C}$  the switch is automatically turned on again. In short circuit the protection reacts with virtually no delay, the sensor being located inside the Power MOS area. An internal function of the devices ensures the fast demagnetization of inductive loads with a typical voltage ( $V_{demag}$ ) of  $-18\text{V}$ . This function allows to greatly reduce the power dissipation according to the formula:

$$P_{dem} = 0.5 \cdot I_{load} \cdot (I_{load})^2 \cdot [(V_{CC} + V_{demag}) / V_{demag}] \cdot f$$

where  $f$  = switching frequency and  $V_{demag}$  = demagnetization voltage.

The maximum inductance which causes the chip

temperature to reach the shut-down temperature in a specified thermal environment is a function of the load current for a fixed  $V_{CC}$ ,  $V_{demag}$  and  $f$  according to the above formula. In this device if the GND pin is disconnected, with  $V_{CC}$  not exceeding  $16\text{V}$ , it will switch off.

**PROTECTING THE DEVICE AGAINST REVERSE BATTERY**

The simplest way to protect the device against a continuous reverse battery voltage ( $-26\text{V}$ ) is to insert a Schottky diode between pin 1 (GND) and ground, as shown in the typical application circuit (fig.3).

The consequences of the voltage drop across this diode are as follows:

If the input is pulled to power GND, a negative voltage of  $-V_f$  is seen by the device. ( $V_{il}$ ,  $V_{ih}$  thresholds and  $V_{stat}$  are increased by  $V_f$  with respect to power GND).

The undervoltage shutdown level is increased by  $V_f$ .

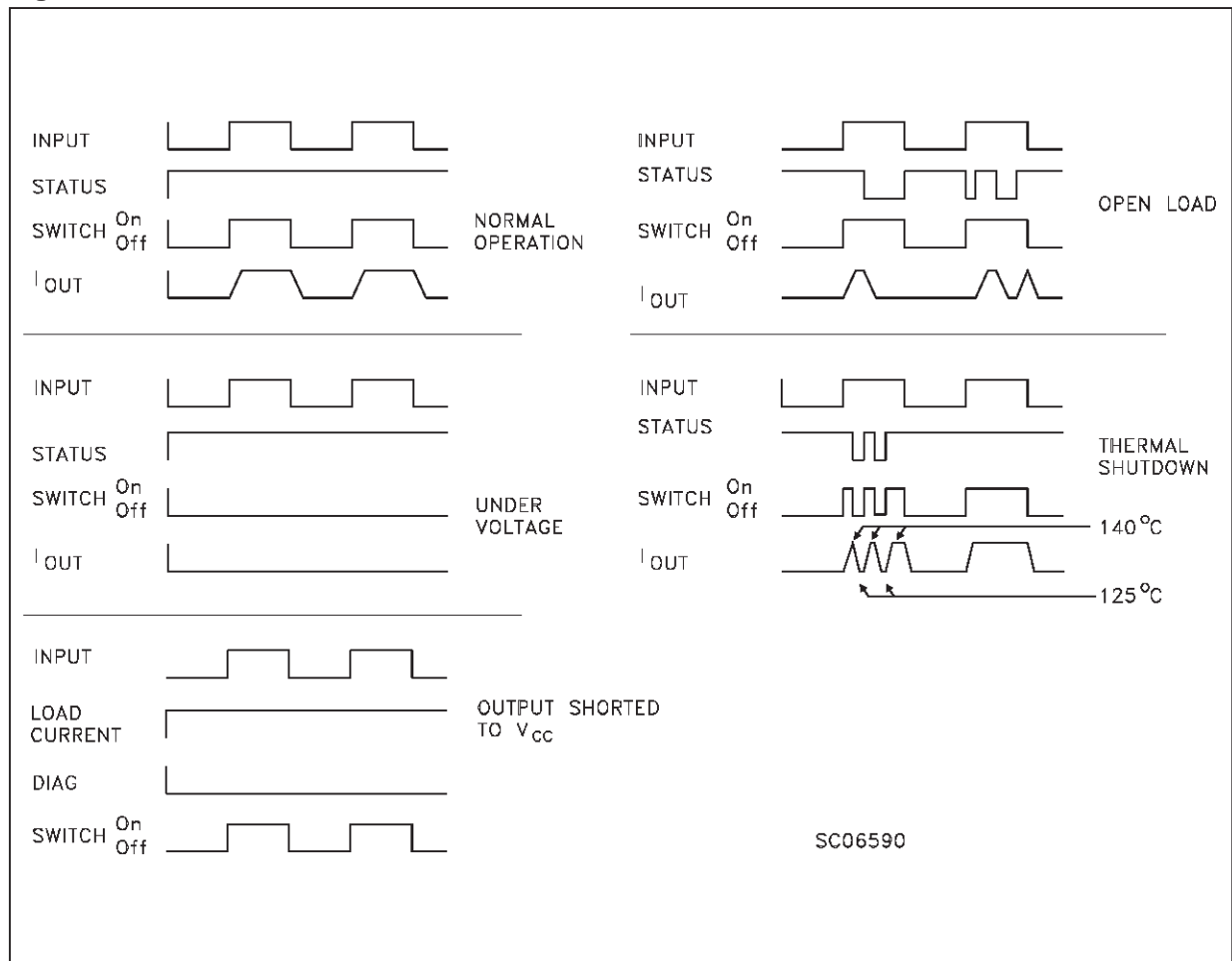
If there is no need for the control unit to handle external analog signals referred to the power GND, the best approach is to connect the reference potential of the control unit to node [1] (see application circuit in fig. 3), which becomes the common signal GND for the whole control board avoiding shift of  $V_{ih}$ ,  $V_{il}$  and  $V_{stat}$ . This solution allows the use of a standard diode.

TRUTH TABLE

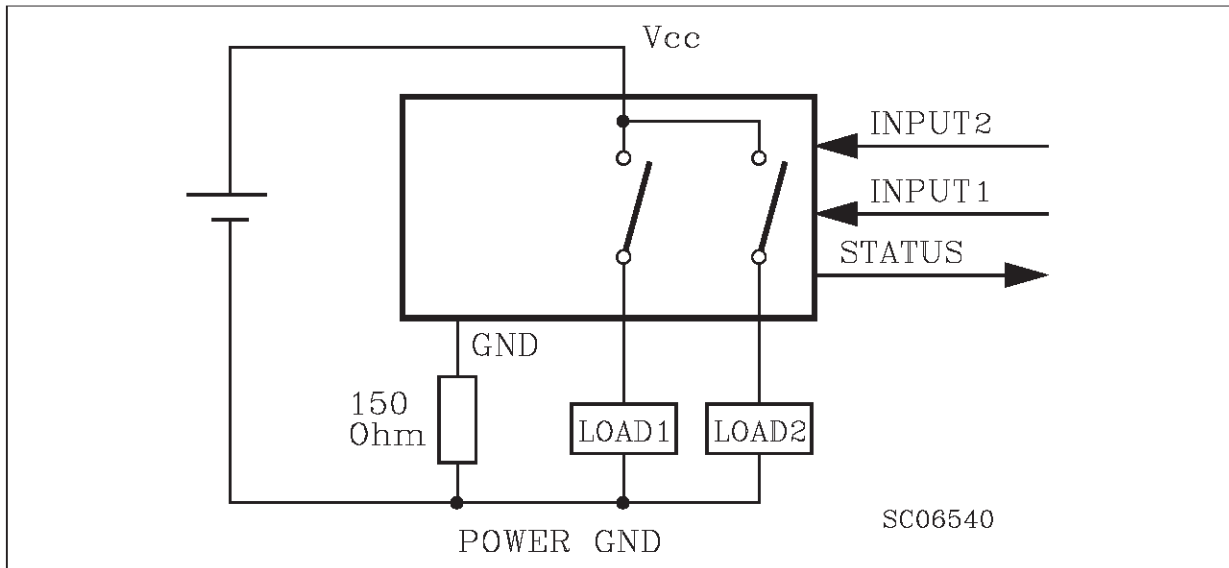
		INPUT 1	INPUT 2	OUTPUT 1	OUTPUT 2	DIAGNOSTIC
Normal Operation		L	L	L	L	H
		H	H	H	H	H
		L	H	L	H	H
		H	L	H	L	H
Under-voltage		X	X	L	L	H
Thermal Shutdown	Channel 1	H	X	L	X	L
	Channel 2	X	H	X	L	L
Open Load	Channel 1	H	X	H	X	L
		L	L	L	L	L(**)
	Channel 2	X	H	X	H	L
		L	L	L	L	L(**)
Output Shorted to V <sub>cc</sub>	Channel 1	H	X	H	X	L
		L	L	H	L	L
	Channel 2	X	H	X	H	L
		L	L	L	H	L

(\*\*) with additional external resistor.

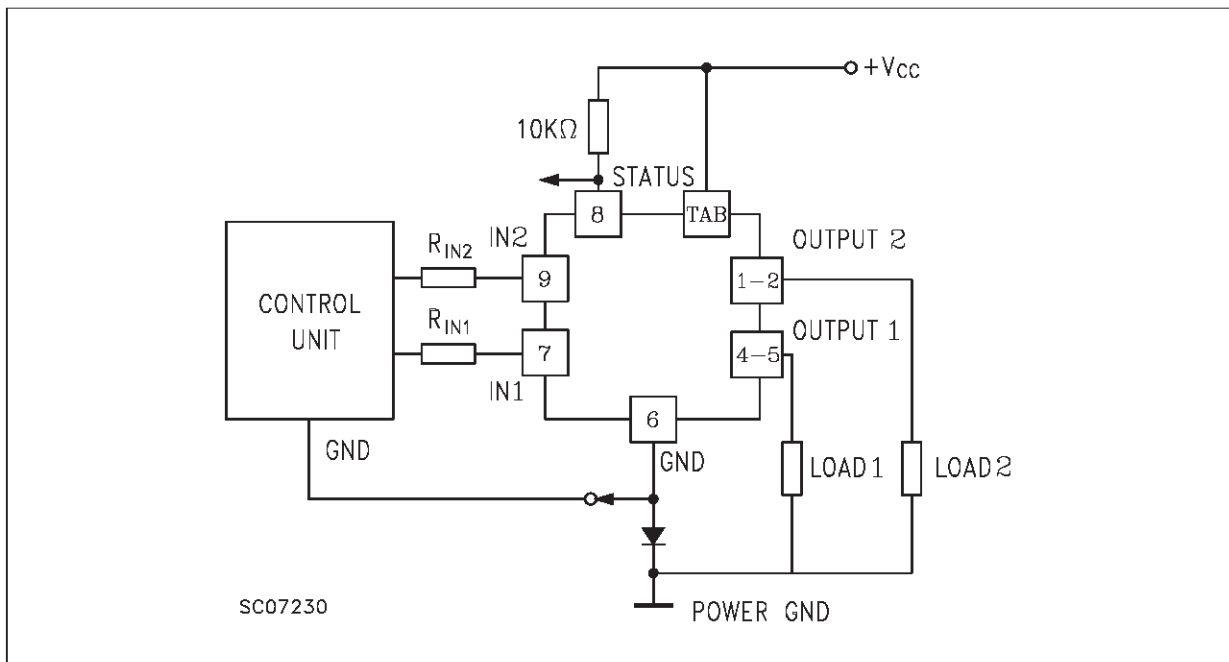
Figure 1: Waveforms



**Figure 2:** Typical Application Circuit With A Schottky Diode For Reverse Supply Protection

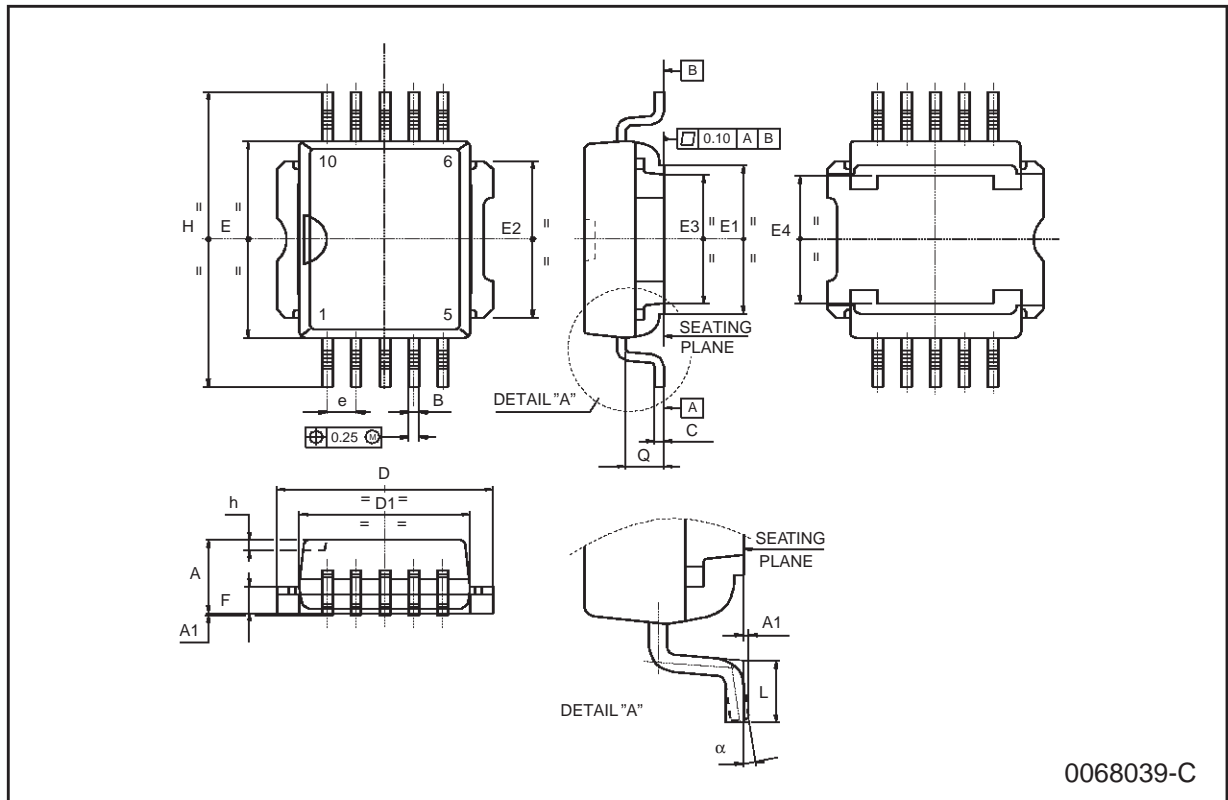


**Figure 3:** Typical Application Circuit With Separate Signal Ground



**Power SO-10 MECHANICAL DATA**

DIM.	mm			inch		
	MIN.	TYP.	MAX.	MIN.	TYP.	MAX.
A	3.35		3.65	0.132		0.144
A1	0.00		0.10	0.000		0.004
B	0.40		0.60	0.016		0.024
c	0.35		0.55	0.013		0.022
D	9.40		9.60	0.370		0.378
D1	7.40		7.60	0.291		0.300
E	9.30		9.50	0.366		0.374
E1	7.20		7.40	0.283		0.291
E2	7.20		7.60	0.283		0.300
E3	6.10		6.35	0.240		0.250
E4	5.90		6.10	0.232		0.240
e		1.27			0.050	
F	1.25		1.35	0.049		0.053
H	13.80		14.40	0.543		0.567
h		0.50			0.002	
L	1.20		1.80	0.047		0.071
q		1.70			0.067	
$\alpha$	0°		8°			



0068039-C



Information furnished is believed to be accurate and reliable. However, SGS-THOMSON Microelectronics assumes no responsibility for the consequences of use of such information nor for any infringement of patents or other rights of third parties which may result from its use. No license is granted by implication or otherwise under any patent or patent rights of SGS-THOMSON Microelectronics. Specifications mentioned in this publication are subject to change without notice. This publication supersedes and replaces all information previously supplied. SGS-THOMSON Microelectronics products are not authorized for use as critical components in life support devices or systems without express written approval of SGS-THOMSON Microelectronics.

© 1998 SGS-THOMSON Microelectronics - Printed in Italy - All Rights Reserved

SGS-THOMSON Microelectronics GROUP OF COMPANIES

Australia - Brazil - Canada - China - France - Germany - Italy - Japan - Korea - Malaysia - Malta - Morocco - The Netherlands -  
Singapore - Spain - Sweden - Switzerland - Taiwan - Thailand - United Kingdom - U.S.A



...