

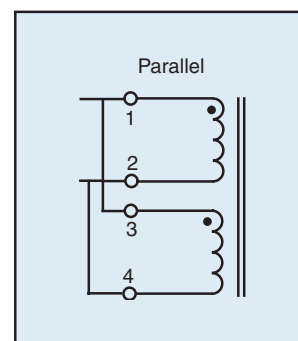
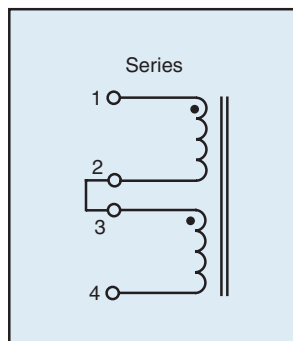
Filter and Dual Chokes Chassis Mount



Signal's CH and CL chokes are designed to complement the rectifier power transformers so that a set may be specified for DC power supplies using inductive filters.

General Specifications

- Inductance - 0.12 MHY to 100 MHY
- DC Current - 1.0 ADC to 200 ADC
- Insulation System - Class B insulation, 130° C

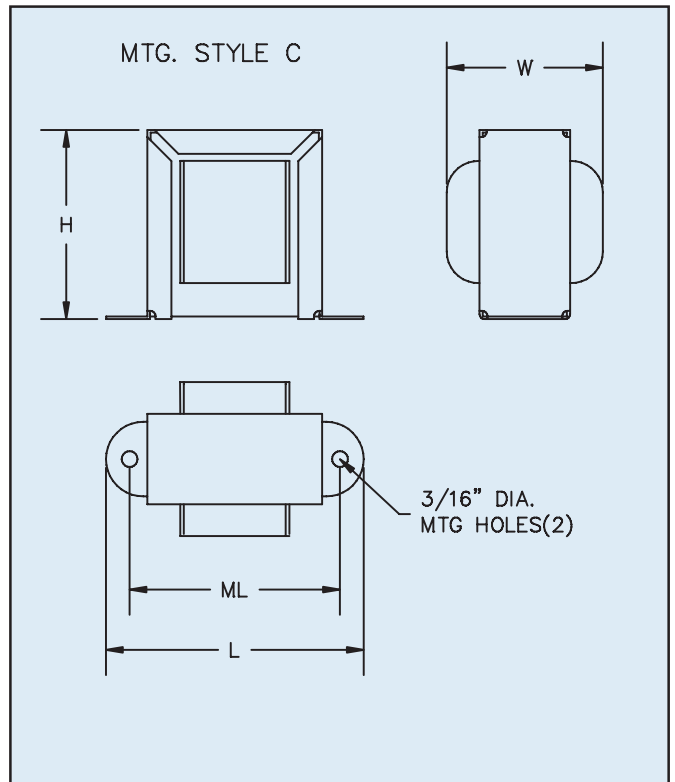
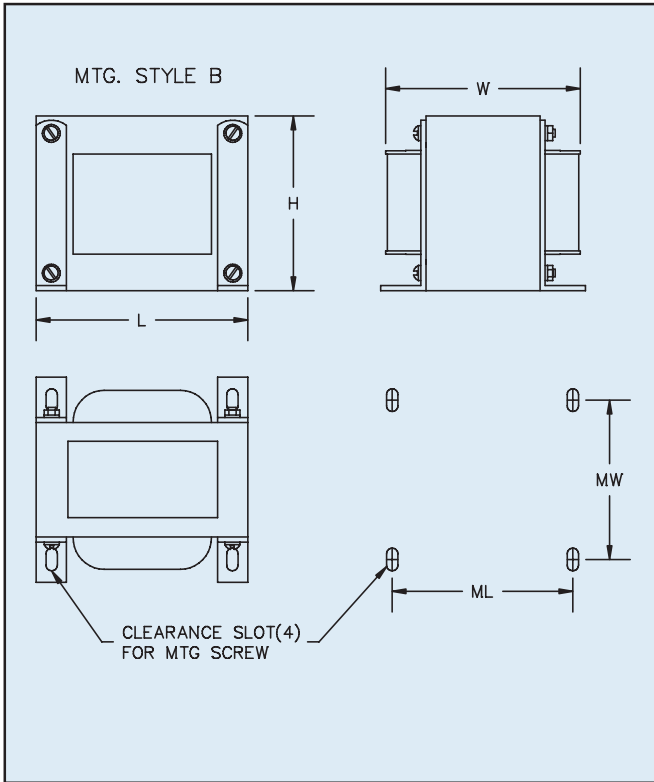


Part Number	Inductance MHY	Current Amps	Resistance Ohms	Mounting Style	Dimensions					Mounting Screw	Weight lbs (kg)
					L	W	H	ML	MW		
					Inches (mm)						
CH-1	100	1	1.5	B	3.00 (76.2)	2.50 (63.5)	2.50 (63.5)	2.50 (63.5)	2.00 (50.8)	#8	2.3 (1.04)
CH-2	70	2	0.9	B	3.37 (85.7)	2.75 (69.9)	2.87 (73.0)	2.81 (71.4)	2.12 (53.9)	#8	3.2 (1.45)
CH-4	70	4	0.6	B	3.75 (95.3)	3.12 (79.4)	3.25 (82.6)	3.12 (79.4)	2.50 (63.5)	#8	5.3 (2.40)
CH-6	40	6	0.4	B	3.75 (95.3)	3.62 (92.1)	3.25 (82.6)	3.12 (79.4)	3.00 (76.2)	#8	6.5 (2.95)
CH-8	30	8	0.3	B	4.12 (104.8)	3.62 (92.1)	3.50 (88.9)	3.43 (87.3)	3.00 (76.2)	#10	8 (3.63)
CH-12	15	12	0.1	B	5.25 (133.4)	4.00 (101.6)	4.43 (112.7)	4.37 (111.1)	3.12 (79.4)	#10	13.7 (6.21)
CH-16	15	16	0.08	B	5.25 (133.4)	4.62 (117.5)	4.43 (112.7)	4.37 (111.1)	3.62 (92.0)	#10	17.5 (7.94)
CH-20	7	20	0.05	B	5.25 (133.4)	4.00 (101.6)	4.43 (112.7)	4.37 (111.1)	3.12 (79.4)	#10	13.3 (6.03)
CH-25	5	25	0.025	B	5.25 (133.4)	4.75 (120.7)	4.43 (112.7)	4.37 (111.1)	3.87 (98.4)	#10	17.8 (8.07)
CH-30	4	30	0.01	B	6.37 (161.9)	5.00 (127.0)	5.37 (136.5)	5.31 (134.9)	3.37 (85.7)	1/4	24.4 (11.07)
CH-50	1.4	50	0.01	B	6.37 (161.9)	5.25 (133.4)	5.37 (136.5)	5.31 (134.9)	3.75 (95.3)	1/4	26.7 (12.11)
CH-100	0.5	100	0.005	B	6.37 (161.9)	6.25 (158.8)	5.37 (136.5)	5.31 (134.9)	4.12 (104.8)	1/4	31.4 (14.24)
CH-200	0.3	200	0.001	B	7.50 (190.5)	7.50 (190.5)	6.25 (158.8)	6.75 (171.5)	4.12 (104.8)	1/4	48.0 (21.77)

Custom versions available upon request.

©2008 Signal Transformer — Specification subject to change without notice. 07.08

Filter and Dual Chokes Chassis Mount



Part Number	Series Connected			Parallel Connected			Mounting Style	Dimensions					Mounting Screw	Weight
	Ind.	Curr.	Res.	Ind.	Curr.	Res.		L	W	H	ML	MW		
	MHY	Amps	Ohms	MHY	Amps	Ohms		Inches (mm)						
CL-1-2	72	1	1.4	18	2	0.35	C	2.87 (73.0)	1.75 (44.5)	2.31 (58.7)	2.37 (60.3)	—	#8	0.9 (0.41)
CL-2-4	40	2	0.7	10	4	0.18	C	3.12 (79.4)	2.12 (53.9)	2.75 (69.9)	2.81 (71.4)	—	#8	1.5 (0.68)
CL-4-8	20	4	0.3	5	8	0.075	B	3.00 (76.2)	2.87 (73.0)	2.50 (63.5)	2.50 (63.5)	2.50 (63.5)	#8	3.0 (1.36)
CL-6-12	12	6	0.15	3	12	0.038	B	3.37 (85.7)	3.06 (77.7)	2.81 (71.4)	2.81 (71.4)	2.50 (63.5)	#8	4.0 (1.81)
CL-12-24	4.8	12	0.052	1.2	24	0.013	B	3.37 (85.7)	3.56 (90.5)	2.81 (71.4)	2.81 (71.4)	3.00 (76.2)	#8	5.3 (2.40)
CL-25-50	1.2	25	0.012	0.3	50	0.003	B	3.75 (98.3)	3.37 (85.7)	3.37 (85.7)	3.12 (79.4)	2.75 (69.9)	#8	6.0 (2.72)
CL-50-100	0.5	50	0.0043	0.12	100	0.0011	B	4.50 (114.3)	3.75 (95.3)	3.75 (95.3)	3.75 (95.3)	2.50 (63.5)	#8	8.0 (3.63)

Signal's dual chokes are supplied with 2 windings which may be series or parallel connected with rating shown on chart. This line is designed for applications requiring lower inductance value at high currents such as low voltage, DC supplies or SCR filters.

Custom versions available upon request.

©2008 Signal Transformer — Specification subject to change without notice. 07.08