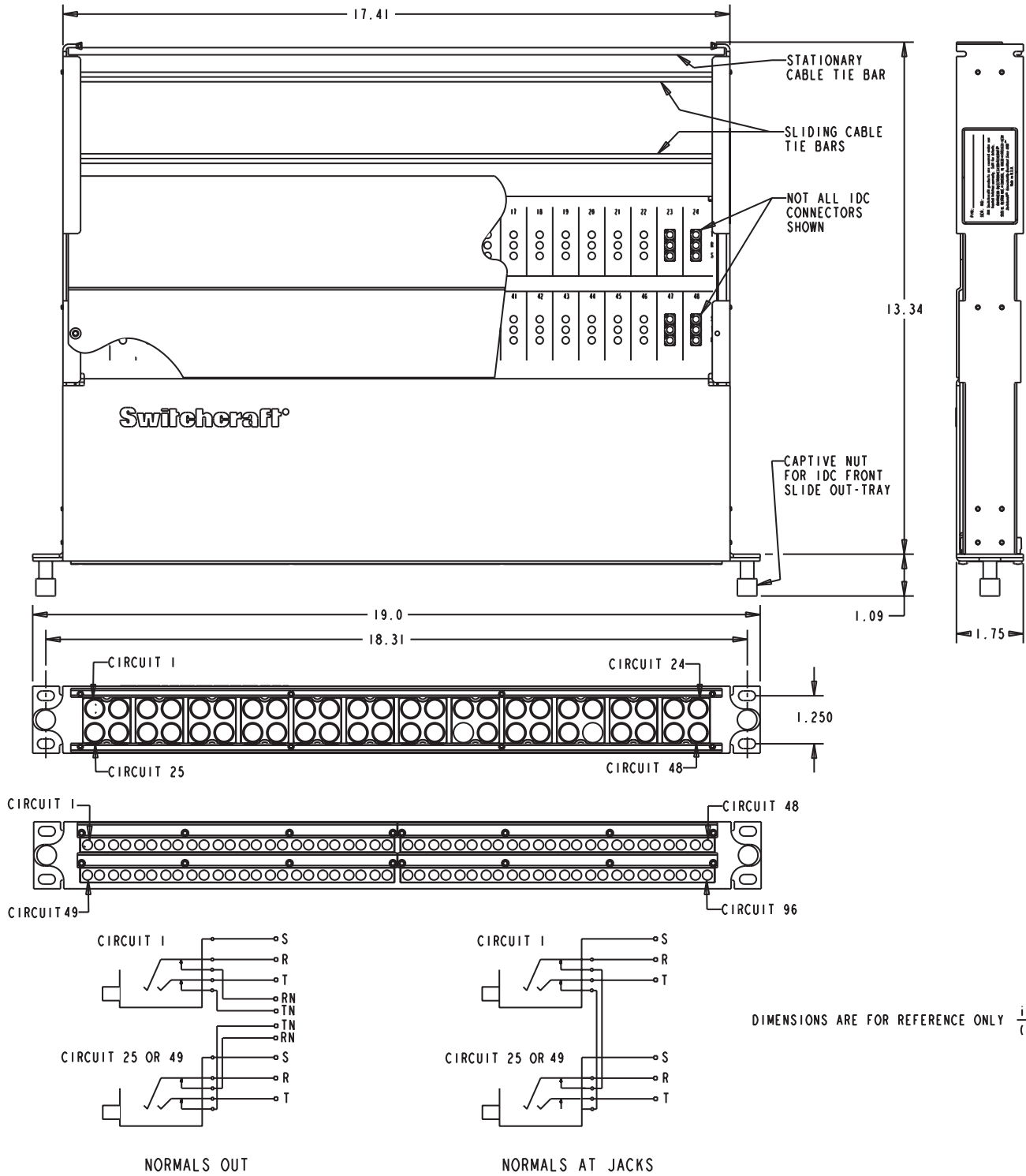


# PATCHBAYS

## Front Access Series 7



DIMENSIONS ARE FOR REFERENCE ONLY  $\frac{\text{inch}}{\text{mm}}$