

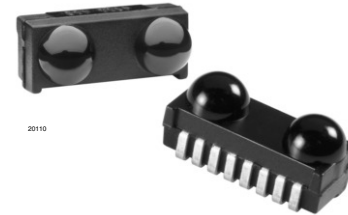
Fast Infrared Transceiver Module (FIR, 4 Mbit/s) for 2.4 V to 5.5 V Operation



Description

The TFDU6103 is a low-power infrared transceiver module compliant to the latest IrDA physical layer standard for fast infrared data communication, supporting IrDA speeds up to 4.0 Mbit/s (FIR), and carrier based remote control modes up to 2 MHz. Integrated within the transceiver module are a PIN photodiode, an infrared emitter (IRED), and a low-power CMOS control IC to provide a total front-end solution in a single package.

Vishay FIR transceivers are available in different package options, including this BabyFace package (TFDU6103). This wide selection provides flexibility for a variety of applications and space constraints. The transceivers are capable of directly interfacing with a wide variety of I/O devices which perform the



modulation/demodulation function, including National Semiconductor's PC87338, PC87108 and PC87109, SMC's FDC37C669, FDC37N769 and CAM35C44, and Hitachi's SH3. TFDU6103 has a tri-state output and is floating in shut-down mode with a weak pull-up.

Features

- Supply voltage 2.4 V to 5.5 V, operating idle current (receive mode) < 3.3 mA, shutdown current < 1 μ A over full temperature range
- Surface mount package, top and side view, 9.7 mm x 4.7 mm x 4.0 mm
- Operating temperature - 25 °C to 85 °C
- Transmitter wavelength typ. 886 nm, supporting IrDA[®] and remote control
- IrDA[®] compliant, link distance > 1 m, \pm 15°, window losses are allowed to still be inside the IrDA[®] spec.
- Remote control range > 8 m, typ. 22 m
- ESD > 1 kV
- Latchup > 100 mA



- EMI immunity > 550 V/m for GSM frequency and other mobile telephone bands/ (700 MHz to 2000 MHz, no external shield)
- Split power supply, LED can be driven by a separate power supply not loading the regulated supply. U.S. Pat. No. 6,157,476
- Tri-state-receiver output, floating in shut down with a weak pull-up
- Eye safety class 1 (IEC 60825-1, ed. 2001), limited LED on-time, LED current is controlled, no single fault to be considered
- Lead (Pb)-free device
- Qualified for lead (Pb)-free and Sn/Pb processing (MSL4)
- Device in accordance with RoHS 2002/95/EC and WEEE 2002/96EC

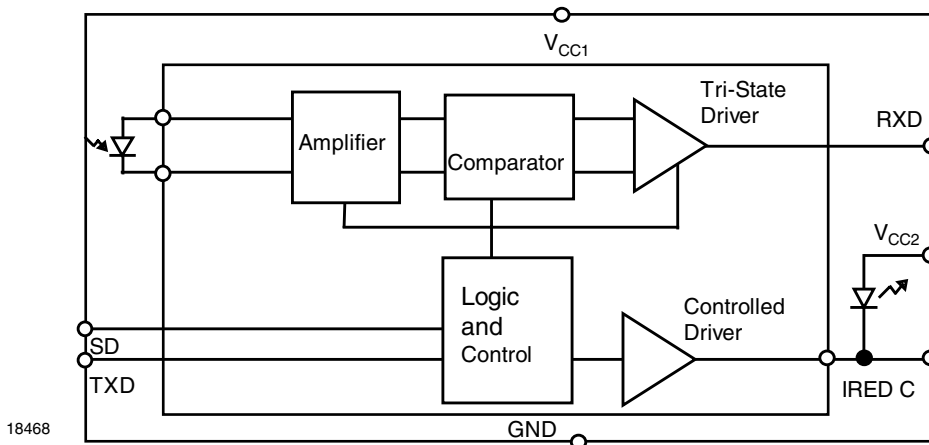
Applications

- Notebook computers, desktop PCs, Palmtop computers (Win CE, Palm PC), PDAs
- Digital still and video cameras
- Printers, fax machines, photocopiers, screen projectors
- Telecommunication products (cellular phones, pagers)
- Internet TV boxes, video conferencing systems
- External infrared adapters (dongles)
- Medical and industrial data collection

Parts Table

| Part | Description | Qty/reel |
|--------------|---------------------------------------------------------|----------|
| TFDU6103-TR3 | Oriented in carrier tape for side view surface mounting | 1000 pcs |
| TFDU6103-TT3 | Oriented in carrier tape for top view surface mounting | 1000 pcs |

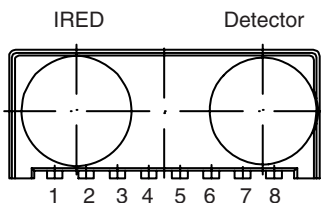
Functional Block Diagram



Pinout

TFDU6103
weight 200 mg

"U" Option BabyFace (Universal)



17087

Definitions:

In the Vishay transceiver data sheets the following nomenclature is used for defining the IrDA operating modes:

SIR: 2.4 kbit/s to 115.2 kbit/s, equivalent to the basic serial infrared standard with the physical layer version IrPhy 1.0

MIR: 576 kbit/s to 1152 kbit/s

FIR: 4 Mbit/s

VFIR: 16 Mbit/s

MIR and FIR were implemented with IrPhy 1.1, followed by IrPhy 1.2, adding the SIR Low Power Standard. IrPhy 1.3 extended the Low Power Option to MIR and FIR and VFIR was added with IrPhy 1.4. A new version of the standard in any case obsoletes the former version.

Note: We apologize to use sometimes in our documentation the abbreviation LED and the word Light Emitting Diode instead of Infrared Emitting Diode (IRED) for IR-emitters. That is by definition wrong; we are here following just a bad trend.

Typical values are for design aid only, not guaranteed nor subject to production testing and may vary with time.



Pin Description

| Pin number | Function | Description | I/O | Active |
|------------|-----------------------------------|-------------------------------------------------------------------------------------------------------------------------------------------------------------------------------------------------------------------------------------------------------------------------------------------------|-----|--------|
| 1 | V _{CC2} IRED Anode | Connect IRED anode directly to V _{CC2} . For voltages higher than 3.6 V an external resistor might be necessary for reducing the internal power dissipation. An unregulated separate power supply can be used at this pin. | | |
| 2 | IRED Cathode | IRED cathode, internally connected to driver transistor | | |
| 3 | TXD | This input is used to transmit serial data when SD is low. An on-chip protection circuit disables the LED driver if the TXD pin is asserted for longer than 100 μ s. When used in conjunction with the SD pin, this pin is also used to set receiver speed mode. | I | High |
| 4 | RXD | Received Data Output, push-pull CMOS driver output capable of driving a standard CMOS or TTL load. No external pull-up or pull-down resistor is required. Floating with a weak pull-up of 500 kΩ (typ.) in shutdown mode. | O | Low |
| 5 | SD | Shutdown, also used for dynamic mode switching. Setting this pin active places the module into shutdown mode. On the falling edge of this signal, the state of the TXD pin is sampled and used to set receiver low bandwidth (TXD = Low, SIR) or high bandwidth (TXD = High, MIR and FIR) mode. | I | High |
| 6 | V _{CC1} | Supply voltage | | |
| 7 | NC | | | |
| 8 | GND | Ground | | |

Absolute Maximum Ratings

Reference point Ground Pin 8, unless otherwise noted.

Typical values are for DESIGN AID ONLY, not guaranteed nor subject to production testing.

| Parameter | Test conditions | Symbol | Min. | Typ. | Max. | Unit |
|---------------------------------------|-----------------------------------------------|------------------------|-------|------|-------|------|
| Supply voltage range, transceiver | 0 V < V _{CC2} < 6 V | V _{CC1} | - 0.5 | | + 6 | V |
| Supply voltage range, transmitter | 0 V < V _{CC1} < 6 V | V _{CC2} | - 0.5 | | + 6.5 | V |
| Input currents | For all pins, except IRED anode pin | | | | 10 | mA |
| Output sinking current | | | | | 25 | mA |
| Power dissipation | See derating curve, figure 5 | P _D | | | 500 | mW |
| Junction temperature | | T _J | | | 125 | °C |
| Ambient temperature range (operating) | | T _{amb} | - 25 | | + 85 | °C |
| Storage temperature range | | T _{stg} | - 25 | | + 85 | °C |
| Soldering temperature | See recommended solder profile (see figure 4) | | | | 260 | °C |
| Average output current | | I _{IRED} (DC) | | | 125 | mA |
| Repetitive pulse output current | < 90 μ s, t _{on} < 20 % | I _{IRED} (RP) | | | 600 | mA |
| IRED anode voltage | | V _{IRED A} | - 0.5 | | + 6.5 | V |
| Voltage at all inputs and outputs | V _{in} > V _{CC1} is allowed | V _{IN} | | | 5.5 | V |

Eye safety information

Reference point Pin: GND unless otherwise noted.

Typical values are for DESIGN AID ONLY, not guaranteed nor subject to production testing.

| Parameter | Test conditions | Symbol | Min. | Typ. | Max. | Unit |
|---------------------|------------------------------------|--------|------|------|------|------|
| Virtual source size | Method: (1 - 1/e) encircled energy | d | 2.5 | 2.8 | | mm |

Laser/LED safety information

With the edition IEC/EN 60825-1:2006 LEDs were removed from the basic laser eye safety standard but are still covered by DIN EN 60825-12 (VDE 0837-12):2004-12 (or equivalent IEC standard). Therefore still a risk assessment is necessary according the test conditions of the basic standard, which were changed in respect to the former editions.

We recommend using the so-called simplified method not taking the virtual source size into account.

Our devices are tested for not to exceed the given eye safety limit according class 1 using the simplified assessment with $C6 = 1$.

(When the virtual source size would be taken into account, the safety limit is even higher.)

LEDs for communication applications are covered by the following safety regulations:

IEC/EN 60825-1:2006, DIN EN 60825-12 (VDE 0837-12):2004-12, see above IEC 62471 Ed. 1:2006, "Photobiological Safety of Lamps and Lamp Systems": TFDU6301 is in the "Exempt Group"

"DIRECTIVE 2006/25/EC OF THE EUROPEAN PARLIAMENT AND OF THE COUNCIL of 5. April 2006" on the minimum health and safety requirements regarding the exposure of workers to risks arising from physical agents (artificial optical radiation) (19th individual Directive within the meaning of Article 16 (1) of Directive 89/391/EEC): TFDU6301 is in accordance with this regulation.

Electrical Characteristics

Transceiver

$T_{amb} = 25\text{ }^{\circ}\text{C}$, $V_{CC1} = V_{CC2} = 2.4\text{ V}$ to 5.5 V unless otherwise noted.

Typical values are for DESIGN AID ONLY, not guaranteed nor subject to production testing.

| Parameter | Test conditions | Symbol | Min. | Typ. | Max. | Unit |
|----------------------------------------------------|--------------------------------------------------------------------------------------------------------------------------------------------|------------|----------------------|------|----------|--------------------|
| Supply voltage | | V_{CC} | 2.4 | | 5.5 | V |
| Dynamic supply current | Receive mode only, idle In transmit mode, add additional 85 mA (typ) for IRED current. Add RXD output current depending on RXD load. | | | | | |
| | SIR mode | I_{CC} | | 1.8 | 3.0 | mA |
| | MIR/FIR mode | I_{CC} | | 2.0 | 3.3 | mA |
| Shutdown supply current | SD = High $T = 25\text{ }^{\circ}\text{C}$, not ambient light sensitive, detector is disabled in shutdown mode | I_{SD} | | 0.01 | | μA |
| | SD = High, full specified temperature range, not ambient light sensitive | I_{SD} | | | 1 | μA |
| Operating temperature range | | T_A | - 25 | | + 85 | $^{\circ}\text{C}$ |
| Input voltage low (TXD, SD) | | V_{IL} | - 0.5 | | 0.5 | V |
| Input voltage high (TXD, SD) | CMOS level ¹⁾ | V_{IH} | $V_{CC} - 0.3$ | | 6 | V |
| Input leakage current (TXD, SD) | $V_{in} = 0.9 \times V_{CC1}$ | I_{ICH} | - 1 | | + 1 | μA |
| Input capacitance, TXD, SD | | C_i | | | 5 | pF |
| Output voltage low | $I_{OL} = 500\text{ }\mu\text{A}$, $C_{load} = 15\text{ pF}$ | V_{OL} | | | 0.4 | V |
| Output voltage high | $I_{OH} = 250\text{ }\mu\text{A}$, $C_{load} = 15\text{ pF}$ | V_{OH} | $0.9 \times V_{CC1}$ | | | V |
| Output RXD current limitation high state low state | Short to ground Short to V_{CC1} | | | | 20 | mA |
| | | | | | 20 | mA |
| SD shutdown pulse duration | Activating shutdown | | 30 | | ∞ | μs |
| RXD to V_{CC1} impedance | | R_{RXD} | 400 | 500 | 600 | k Ω |
| SD mode programming pulse duration | All modes | t_{SDPW} | 200 | | | ns |

Note:

- 1) The typical threshold level is $0.5 \times V_{CC1}$ ($V_{CC1} = 3\text{ V}$). It is recommended to use the specified min/max values to avoid increased operating current



Optoelectronic Characteristics Receiver

T_{amb} = 25 °C, V_{CC} = 2.4 V to 5.5 V unless otherwise noted.

Typical values are for DESIGN AID ONLY, not guaranteed nor subject to production testing.

| Parameter | Test conditions | Symbol | Min. | Typ. | Max. | Unit |
|---------------------------------------------------------------------------|-------------------------------------------------------------------------------------------|----------------------|------------|-------------|-------------|--------------------------------------------|
| Minimum irradiance E _e in angular range ²⁾ SIR mode | 9.6 kbit/s to 115.2 kbit/s λ = 850 nm to 900 nm | E _e | | 25 (2.5) | 35 (3.5) | mW/m ² (μW/cm ²) |
| Minimum irradiance E _e in angular range, MIR mode | 1.152 Mbit/s λ = 850 nm to 900 nm | E _e | | 65 (6.5) | | mW/m ² (μW/cm ²) |
| Minimum irradiance E _e in angular range, FIR mode | 4.0 Mbit/s λ = 850 nm to 900 nm | E _e | | 80 (8.0) | 90 (9.0) | mW/m ² (μW/cm ²) |
| Maximum irradiance E _e in angular range ³⁾ | λ = 850 nm to 900 nm | E _e | | 5 (500) | | kW/m ² (mW/cm ²) |
| Maximum no detection irradiance | 1) | E _e | 4 (0.4) | | | mW/m ² (μW/cm ²) |
| Rise time of output signal | 10 % to 90 %, 15 pF | t _r (RXD) | 10 | | 40 | ns |
| Fall time of output signal | 90 % to 10 %, 15 pF | t _f (RXD) | 10 | | 40 | ns |
| RXD pulse width of output signal, 50 %, SIR mode | Input pulse length, 1.4 μs < P _{Wopt} < 25 μs | t _{PW} | | 2.1 | | μs |
| | Input pulse length, 1.4 μs < P _{Wopt} < 25 μs, - 25 °C < T < 85 °C ⁴⁾ | t _{PW} | 1.5 | 1.8 | 2.6 | μs |
| RXD pulse width of output signal, 50 %, MIR mode | Input pulse length, P _{Wopt} = 217 ns, 1.152 Mbit/s | t _{PW} | 110 | 250 | 270 | ns |
| RXD pulse width of output signal, 50 %, FIR mode | Input pulse length, P _{Wopt} = 125 ns, 4.0 Mbit/s | t _{PW} | 100 | | 140 | ns |
| | Input pulse length, P _{Wopt} = 250 ns, 4.0 Mbit/s | t _{PW} | 225 | | 275 | ns |
| Stochastic jitter, leading edge | Input irradiance = 100 mW/m ² , 4.0 Mbit/s | | | | 20 | ns |
| | Input irradiance = 100 mW/m ² , 1.152 Mbit/s | | | | 40 | ns |
| | Input irradiance = 100 mW/m ² , 576 kbit/s | | | | 80 | ns |
| | Input irradiance = 100 mW/m ² , ≤ 115.2 kbit/s | | | | 350 | ns |
| Receiver start up time | After completion of shutdown programming sequence power on delay | | | | 250 | μs |
| Latency | | t _L | | 40 | 100 | μs |

Note:

All timing data measured with 4 Mbit/s are measured using the IrDA[®] FIR transmission header. The data given here are valid 5 μs after starting the preamble.

- 1) This parameter reflects the backlight test of the IrDA physical layer specification to guarantee immunity against light from fluorescent lamps
- 2) IrDA sensitivity definition: **Minimum Irradiance E_e In Angular Range**, power per unit area. The receiver must meet the BER specification while the source is operating at the minimum intensity in angular range into the minimum half-angle range at the maximum Link Length
- 3) Maximum Irradiance E_e In Angular Range, power per unit area. The optical delivered to the detector by a source operating at the maximum intensity in angular range at Minimum Link Length must not cause receiver overdrive distortion and possible related link errors. If placed at the Active Output Interface reference plane of the transmitter, the receiver must meet its bit error ratio (BER).
- 4) Retriggerring once during applied optical pulse may occur

For more definitions see the document "Symbols and Terminology" on the Vishay Website (<http://www.vishay.com/doc?82512>).

Transmitter

$T_{amb} = 25\text{ }^{\circ}\text{C}$, $V_{CC1} = V_{CC2} = 2.4\text{ V}$ to 5.5 V unless otherwise noted.

Typical values are for DESIGN AID ONLY, not guaranteed nor subject to production testing.

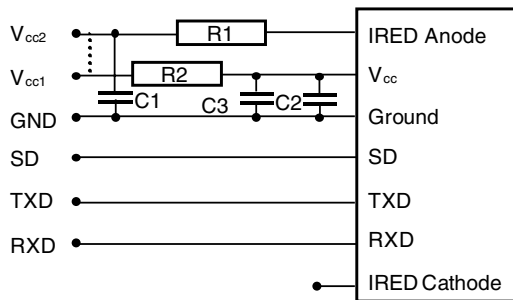
| Parameter | Test conditions | Symbol | Min. | Typ. | Max. | Unit |
|-------------------------------------------------------------------------|-----------------------------------------------------------------------------------------------------------------------------------|----------------------------|------|----------|-------------------|---------------|
| IRED operating current, switched current limiter | Note: No external resistor current limiting resistor is needed for $V_{CC1} = V_{CC2} = 3.3\text{ V}$ | I_D | 330 | 440 | 600 | mA |
| Output pulse width limitation | Input pulse width $t < 20\text{ }\mu\text{s}$ | t_{pw} | | t | | μs |
| | Input pulse width $20\text{ }\mu\text{s} < t < 150\text{ }\mu\text{s}$ | t_{pw} | 18 | | 150 | μs |
| | Input pulse width $t \geq 150\text{ }\mu\text{s}$ | t_{pw_lim} | | | 150 | μs |
| Output leakage IRED current | | I_{IRED} | - 1 | | 1 | μA |
| Output radiant intensity, see figure 3, recommended application circuit | $V_{CC} = V_{IRED} = 3.3\text{ V}$, $\alpha = 0^{\circ}$ TXD = High, SD = Low, R1 = $1\text{ }\Omega$ | I_e | 110 | 170 | 468 ¹⁾ | mW/sr |
| Output radiant intensity, see figure 3, recommended application circuit | $V_{CC} = V_{IRED} = 3.3\text{ V}$, $\alpha = 0^{\circ}, 15^{\circ}$ TXD = High, SD = Low, R1 = $1\text{ }\Omega$ | I_e | 100 | 130 | 468 ¹⁾ | mW/sr |
| Output radiant intensity | $V_{CC1} = 3.3\text{ V}$, $\alpha = 0^{\circ}, 15^{\circ}$ TXD = Low or SD = High (Receiver is inactive as long as SD = High) | I_e | | | 0.04 | mW/sr |
| Output radiant intensity, angle of half intensity | | α | | ± 24 | | $^{\circ}$ |
| Peak - emission wavelength ²⁾ | | λ_p | 875 | 886 | 900 | nm |
| Spectral bandwidth | | $\Delta\lambda$ | | 45 | | nm |
| Optical rise time, Optical fall time | | t_{ropt} , t_{fopt} | 10 | | 40 | ns |
| Optical output pulse duration | Input pulse width 217 ns, 1.152 Mbit/s | t_{opt} | 207 | 217 | 227 | ns |
| | Input pulse width 125 ns, 4.0 Mbit/s | t_{opt} | 117 | 125 | 133 | ns |
| | Input pulse width 250 ns, 4.0 Mbit/s | t_{opt} | 242 | 250 | 258 | ns |
| Optical overshoot | | | | | 25 | % |

Note:

- 1) Maximum value is given by eye safety class 1, IEC 60825-1, simplified method.
- 2) Due to this wavelength restriction compared to the IrDA spec of 850 nm to 900 nm the transmitter is able to operate as source for the standard Remote Control applications with codes as e.g. Philips RC5/RC6[®] or RECS 80. When operated under IrDA full range conditions (125 mW/sr) the RC range to be covered is in the range from 8 m to 12 m, provided that state of the art remote control receivers are used.

Recommended Circuit Diagram

Vishay Semiconductors transceivers integrate a sensitive receiver and a built-in power driver. The combination of both needs a careful circuit board layout. The use of thin, long, resistive and inductive wiring should be avoided. The inputs (TXD, SD) and the output RXD should be directly (DC) coupled to the I/O circuit.



19789

Figure 1. Recommended Application Circuit

The capacitor C1 is buffering the supply voltage and reduces the influence of the inductance of the power supply line. This one should be a Tantalum or other fast capacitor to guarantee the fast rise time of the IRED current. The resistor R1 is only necessary for

higher operating voltages and elevated temperatures, see derating curve in figure 5, to avoid too high internal power dissipation.

The capacitors C2 and C3 combined with the resistor R2 (as the low pass filter) is smoothing the supply voltage V_{CC1}. R2, C1, C2, and C3 are optional and dependent on the quality of the supply voltages V_{CC1} and V_{CC2} and injected noise. An unstable power supply with dropping voltage during transmission may reduce sensitivity (and transmission range) of the transceiver. The placement of these parts is critical. It is strongly recommended to position C2 and C3 as close as possible to the transceiver power supply pins. An Tantalum capacitor should be used for C1 and C3 while a ceramic capacitor is used for C2.

In addition, when connecting the described circuit to the power supply, low impedance wiring should be used.

When extended wiring is used the inductance of the power supply can cause dynamically a voltage drop at V_{CC2}. Often some power supplies are not apply to follow the fast current rise time. In that case another 4.7 μF (type, see table under C1) at V_{CC2} will be helpful.

Keep in mind that basic RF-design rules for circuit design should be taken into account. Especially longer signal lines should not be used without termination. See e.g. "The Art of Electronics" Paul Horowitz, Wienfield Hill, 1989, Cambridge University Press, ISBN: 0521370957.

Table 1.
Recommended Application Circuit Components

| Component | Recommended value | Vishay part number |
|-----------|-------------------------------------------------------------------------------------------------------------|------------------------------|
| C1, C3 | 4.7 μF, 16 V | 293D 475X9 016B |
| C2 | 0.1 μF, Ceramic | VJ 1206 Y 104 J XXMT |
| R1 | 3.3 V supply voltage: no resistors necessary, the internal controller is able to control the current | e.g. 2 x CRCW-1206-1R0-F-RT1 |
| R2 | 10 Ω, 0.125 W | CRCW-1206-10R0-F-RT1 |

I/O and Software

In the description, already different I/Os are mentioned. Different combinations are tested and the function verified with the special drivers available from the I/O suppliers. In special cases refer to the I/O manual, the Vishay application notes, or contact directly Vishay Sales, Marketing or Application.

Mode Switching

The TFDU6103 is in the SIR mode after power on as a default mode, therefore the FIR data transfer rate has to be set by a programming sequence using the TXD and SD inputs as described below. The low frequency mode covers speeds up to 115.2 kbit/s. Signals with higher data rates should be detected in the high frequency mode. Lower frequency data can also be received in the high frequency mode but with reduced sensitivity.

To switch the transceivers from low frequency mode to the high frequency mode and vice versa, the programming sequences described below are required.

Setting to the High Bandwidth Mode (0.576 Mbit/s to 4.0 Mbit/s)

1. Set SD input to logic "High".
2. Set TXD input to logic "High". Wait $t_s \geq 200$ ns.
3. Set SD to logic "Low" (this negative edge latches state of TXD, which determines speed setting).
4. After waiting $t_h \geq 200$ ns TXD can be set to logic "Low". The hold time of TXD is limited by the maximum allowed pulse length.

After that TXD is enabled as normal TXD input and the transceiver is set for the high bandwidth (576 kbit/s to 4 Mbit/s) mode.

Setting to the Lower Bandwidth Mode (2.4 kbit/s to 115.2 kbit/s)

1. Set SD input to logic "High".
2. Set TXD input to logic "Low". Wait $t_s \geq 200$ ns.
3. Set SD to logic "Low" (this negative edge latches state of TXD, which determines speed setting).
4. TXD must be held for $t_h \geq 200$ ns.

After that TXD is enabled as normal TXD input and the transceiver is set for the lower bandwidth (9.6 kbit/s to 115.2 kbit/s) mode.

Note:

When applying this sequence to the device already in the lower bandwidth mode, the SD pulse is interpreted as shutdown. In this case the RXD output of the transceiver may react with a single pulse (going active low) for a duration less than 2 μ s. The operating software should take care for this condition.

In case the applied SD pulse is longer than 4 μ s, no RXD pulse is to be expected but the receiver startup time is to be taken into account before the device is in receive condition.

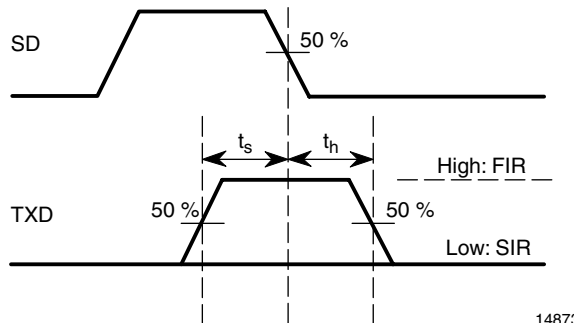


Figure 2. Mode Switching Timing Diagram

Table 2.
Truth table

| Inputs | | | Outputs | |
|--------|--------------------|----------------------------------------------------|----------------------------------------------------|-------------|
| SD | TXD | Optical input irradiance mW/m^2 | RXD | Transmitter |
| High | x | x | Weakly pulled (500 $\text{k}\Omega$) to V_{CC1} | 0 |
| Low | High | x | Low (active) | I_e |
| | High > 150 μ s | x | High | 0 |
| | Low | < 4 | High | 0 |
| | Low | > Min. irradiance E_e < Max. irradiance E_e | Low (active) | 0 |
| | Low | > Max. irradiance E_e | x | 0 |

Recommended Solder Profiles

Solder Profile for Sn/Pb Soldering

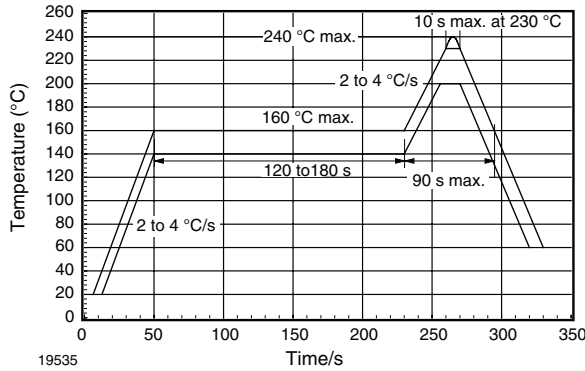


Figure 3. Recommended Solder Profile for Sn/Pb soldering

Lead (Pb)-Free, Recommended Solder Profile

The TFDU6103 is a lead (Pb)-free transceiver and qualified for lead (Pb)-free processing. For lead (Pb)-free solder paste like Sn (3.0 - 4.0) Ag (0.5 - 0.9) Cu, there are two standard reflow profiles: Ramp-Soak-Spike (RSS) and Ramp-To-Spike (RTS). The Ramp-Soak-Spike profile was developed primarily for reflow ovens heated by infrared radiation. With widespread use of forced convection reflow ovens the Ramp-To-Spike profile is used increasingly. Shown below in figure 4 and 5 are VISHAY's recommended profiles for use with the TFDU6103 transceivers. For more details please refer to the application note "SMD Assembly Instructions" (<http://www.vishay.com/doc?82602>).

A ramp-up rate less than 0.9 °C/s is not recommended. Ramp-up rates faster than 1.3 °C/s could damage an optical part because the thermal conductivity is less than compared to a standard IC.

Wave Soldering

For TFDUxxxx and TFBSxxxx transceiver devices wave soldering is not recommended.

Manual Soldering

Manual soldering is the standard method for lab use. However, for a production process it cannot be recommended because the risk of damage is highly dependent on the experience of the operator. Nevertheless, we added a chapter to the above mentioned application note, describing manual soldering and desoldering.

Storage

The storage and drying processes for all VISHAY transceivers (TFDUxxxx and TFBSxxx) are equivalent to MSL4.

The data for the drying procedure is given on labels

on the packing and also in the application note "Taping, Labeling, Storage and Packing" (<http://www.vishay.com/doc?82601>).

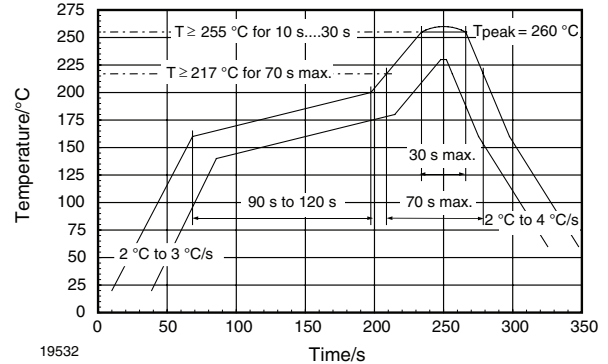


Figure 4. Solder Profile, RSS Recommendation

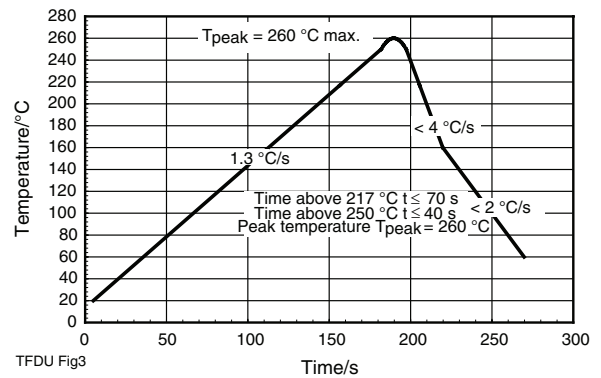


Figure 5. RTS Recommendation

Current Derating Diagram

Figure 6 shows the maximum operating temperature when the device is operated without external current limiting resistor. A power dissipating resistor of 2 Ω is recommended from the cathode of the IRED to Ground for supply voltages above 4 V. In that case the device can be operated up to 85 °C, too.

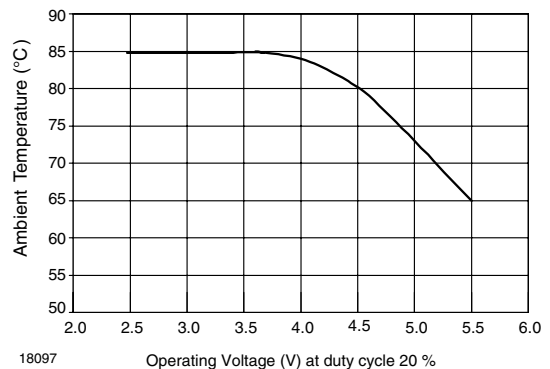


Figure 6. Temperature Derating Diagram

Package Dimensions in mm

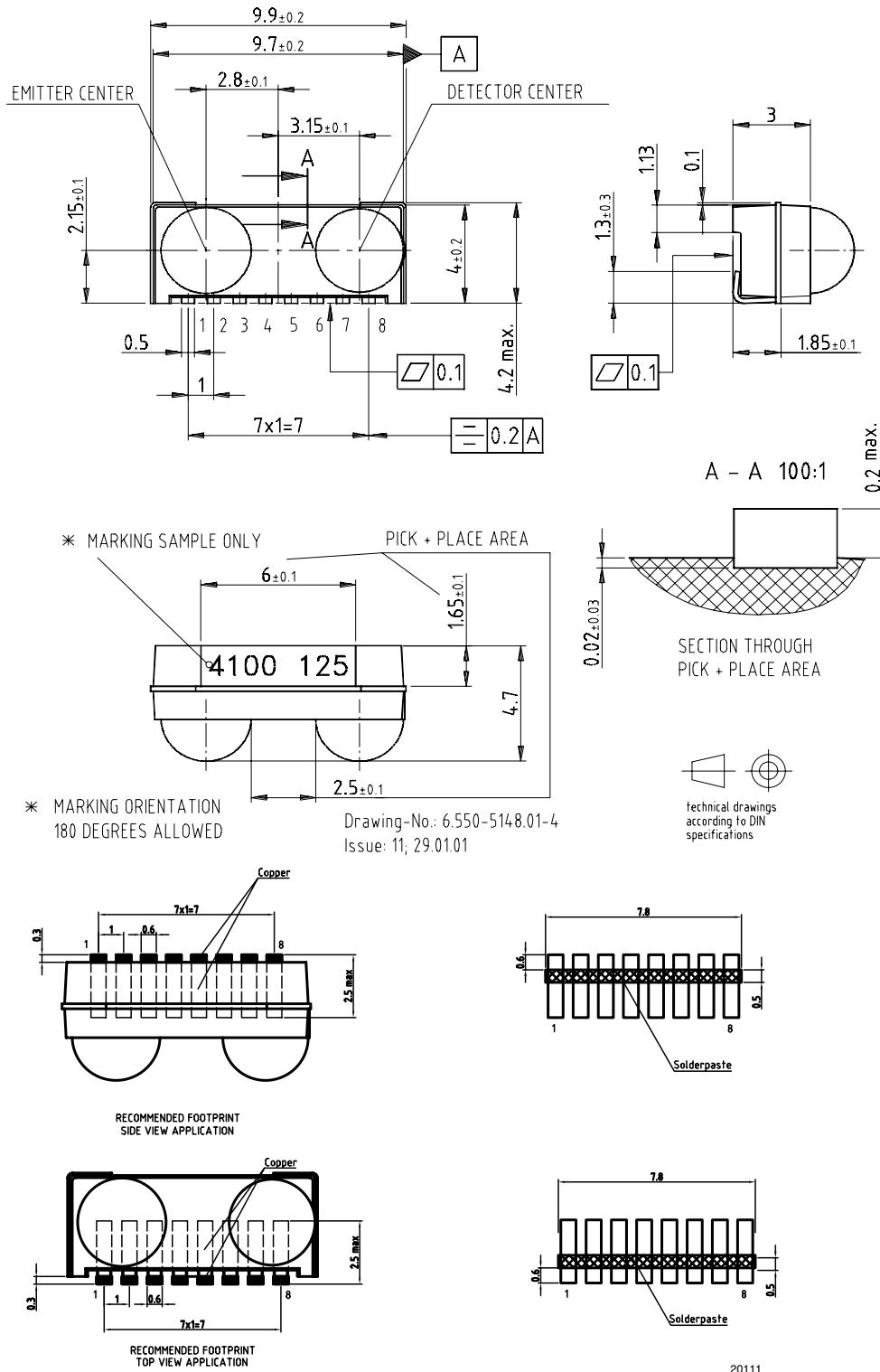
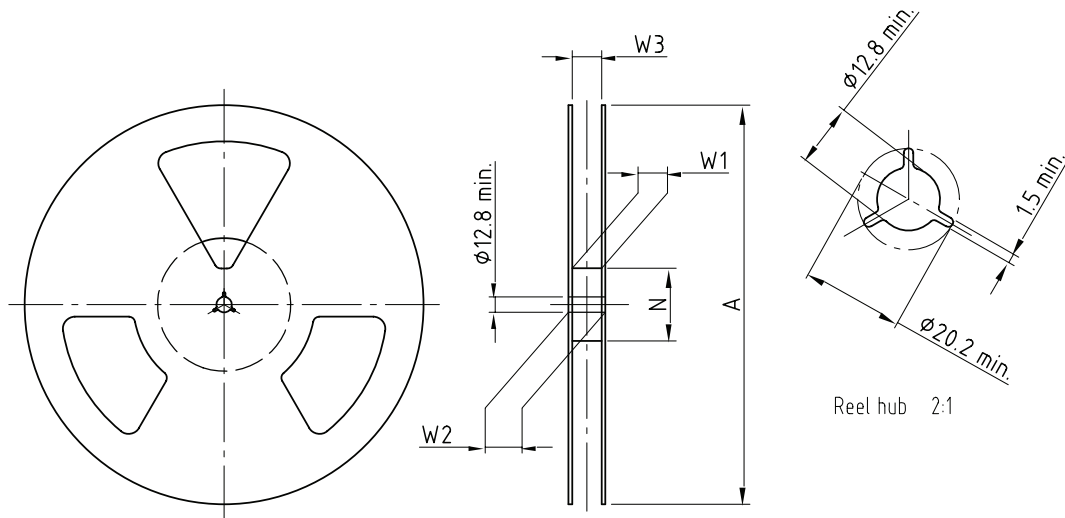


Figure 7. Package drawing and solder footprints for top and side view mounting TFDU6103, dimensions in mm, tolerance ± 0.2 mm if not otherwise mentioned

Reel Dimensions in mm


Drawing-No.: 9.800-5090.01-4
 Issue: 1; 29.11.05
 14017

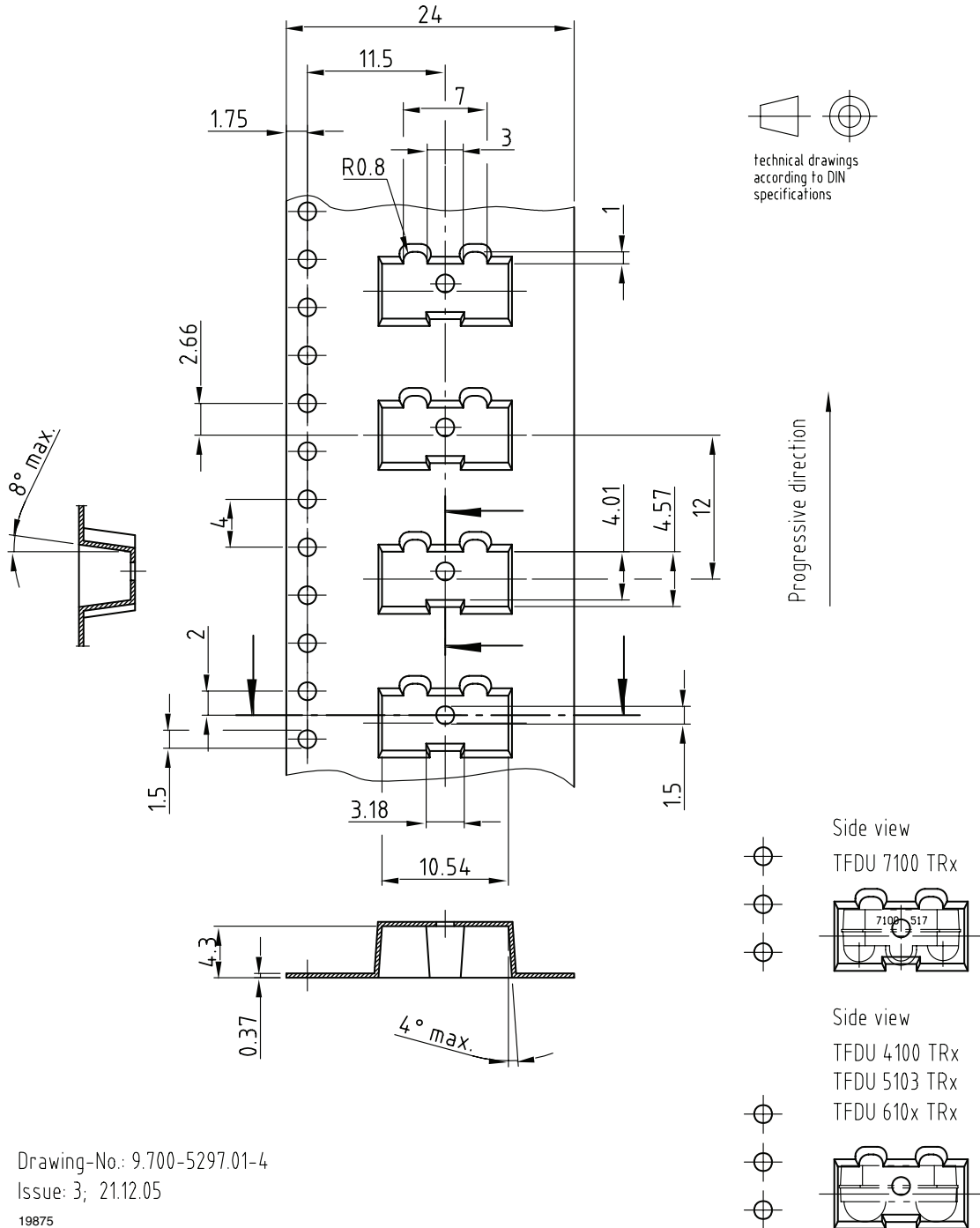
Form of the leave open
 of the wheel is supplier specific.

Dimension acc. to IEC EN 60 286-3

technical drawings
 according to DIN
 specifications

| Tape width | A max. | N | W_1 min. | W_2 max. | W_3 min. | W_3 max. |
|------------|--------|----|------------|------------|------------|------------|
| mm | mm | mm | mm | mm | mm | mm |
| 24 | 330 | 60 | 24.4 | 30.4 | 23.9 | 27.4 |

Tape Dimensions in mm



Drawing-No.: 9.700-5297.01-4
 Issue: 3; 21.12.05
 19875

Figure 9. Tape Drawing, TFDU6103 for Side View Mounting, Tolerance ± 0.1 mm

Ozone Depleting Substances Policy Statement

It is the policy of Vishay Semiconductor GmbH to

1. Meet all present and future national and international statutory requirements.
2. Regularly and continuously improve the performance of our products, processes, distribution and operating systems with respect to their impact on the health and safety of our employees and the public, as well as their impact on the environment.

It is particular concern to control or eliminate releases of those substances into the atmosphere which are known as ozone depleting substances (ODSs).

The Montreal Protocol (1987) and its London Amendments (1990) intend to severely restrict the use of ODSs and forbid their use within the next ten years. Various national and international initiatives are pressing for an earlier ban on these substances.

Vishay Semiconductor GmbH has been able to use its policy of continuous improvements to eliminate the use of ODSs listed in the following documents.

1. Annex A, B and list of transitional substances of the Montreal Protocol and the London Amendments respectively.
2. Class I and II ozone depleting substances in the Clean Air Act Amendments of 1990 by the Environmental Protection Agency (EPA) in the USA.
3. Council Decision 88/540/EEC and 91/690/EEC Annex A, B and C (transitional substances) respectively.

Vishay Semiconductor GmbH can certify that our semiconductors are not manufactured with ozone depleting substances and do not contain such substances.

We reserve the right to make changes to improve technical design
and may do so without further notice.

Parameters can vary in different applications. All operating parameters must be validated for each customer application by the customer. Should the buyer use Vishay Semiconductors products for any unintended or unauthorized application, the buyer shall indemnify Vishay Semiconductors against all claims, costs, damages, and expenses, arising out of, directly or indirectly, any claim of personal damage, injury or death associated with such unintended or unauthorized use.

Vishay Semiconductor GmbH, P.O.B. 3535, D-74025 Heilbronn, Germany



Disclaimer

All product specifications and data are subject to change without notice.

Vishay Intertechnology, Inc., its affiliates, agents, and employees, and all persons acting on its or their behalf (collectively, "Vishay"), disclaim any and all liability for any errors, inaccuracies or incompleteness contained herein or in any other disclosure relating to any product.

Vishay disclaims any and all liability arising out of the use or application of any product described herein or of any information provided herein to the maximum extent permitted by law. The product specifications do not expand or otherwise modify Vishay's terms and conditions of purchase, including but not limited to the warranty expressed therein, which apply to these products.

No license, express or implied, by estoppel or otherwise, to any intellectual property rights is granted by this document or by any conduct of Vishay.

The products shown herein are not designed for use in medical, life-saving, or life-sustaining applications unless otherwise expressly indicated. Customers using or selling Vishay products not expressly indicated for use in such applications do so entirely at their own risk and agree to fully indemnify Vishay for any damages arising or resulting from such use or sale. Please contact authorized Vishay personnel to obtain written terms and conditions regarding products designed for such applications.

Product names and markings noted herein may be trademarks of their respective owners.