

GENERAL SPECIFICATIONS FOR SW3000s

Electrical Capacity (Resistive & Inductive Load)

Power Level: Shown in the following tables

Other Ratings

Contact Resistance: 10 milliohms maximum
Insulation Resistance: 1,000 megohms minimum @ 500V DC
Dielectric Strength: 2,000V AC minimum for 1 minute minimum
Mechanical Life: 30,000 operations minimum
Electrical Life: 10,000 operations minimum
Angle of Throw (α): Shown on drawings or following tables

Materials & Finishes

Rocker: Urea resin; all rockers are white.
Mounting Frame: Steel with chromate plating over zinc plating
Case Cover/Insulator: Phenolic resin
Case: Melamine phenol
Movable Contactor Plate: Copper with silver plating
Movable & Stationary Contacts: Silver alloy plus copper with silver plating
Terminals: Copper with tin plating

Environmental Data

Operating Temp Range: -10°C through +70°C (+14°F through +158°F)
Sealing: Dustproof cover of silicone rubber on SW3006A, SW3007A, & SW3008A

Installation

Maximum Panel Thickness: Shown with following drawings
Soldering Time & Temperature: Manual Soldering: See Profile A in Supplement section.

Standards & Certifications



UL Recognized: Designated with UL recognized symbol beside part numbers on following pages
 See Supplement section to find UL rating details. UL File No. WOYR2.E44145
 Add "/U" to end of part number to order UL mark on switch.



C-UL Recognized: Designated with C-UL recognized symbol beside part numbers on following pages
 See Supplement section to find C-UL rating details. C-UL File No. WOYR8.E44145
 Add "/C-UL" to end of part number to order C-UL mark on switch.



CSA Certified: Designated with CSA certified symbol beside part numbers on following pages
 See Supplement section to find CSA rating details. CSA File No. 023535-0-000;
 Add "/C" to end of part number to order CSA mark on switch.



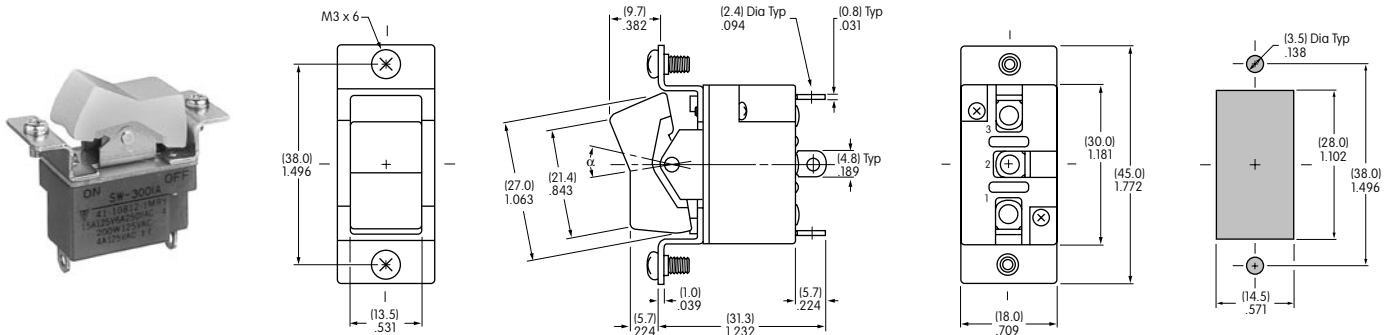
VDE Approved: SW3006A at 20A @ 125V AC & 10A @ 250V AC; VDE License No. 119189;
 Add "/V" to end of part number to order VDE mark on switch.

SINGLE POLE WITH SOLDER LUG

Model	Approvals	Pole	Rocker Position/Connected Terminals			Electrical Capacity				$\alpha =$ Angle of Throw
			Down	Center	Up	Resistive			Inductive AC 125V PF 0.6	
						AC 125V	AC 250V	DC 30V		
SW3001A		SPST	ON 1-3	NONE	OFF —	15A	6A	15A	10A	24°
SW3002A		SPDT	ON 2-3	NONE	ON 2-1	15A	6A	15A	10A	24°
SW3003A		SPDT	ON 2-3	OFF	ON 2-1	15A	6A	15A	10A	28°

Throw & Schematics: SPST INTERNAL CONNECTION SPDT

Note: Terminal numbers are actually on the switch.



SW3001A

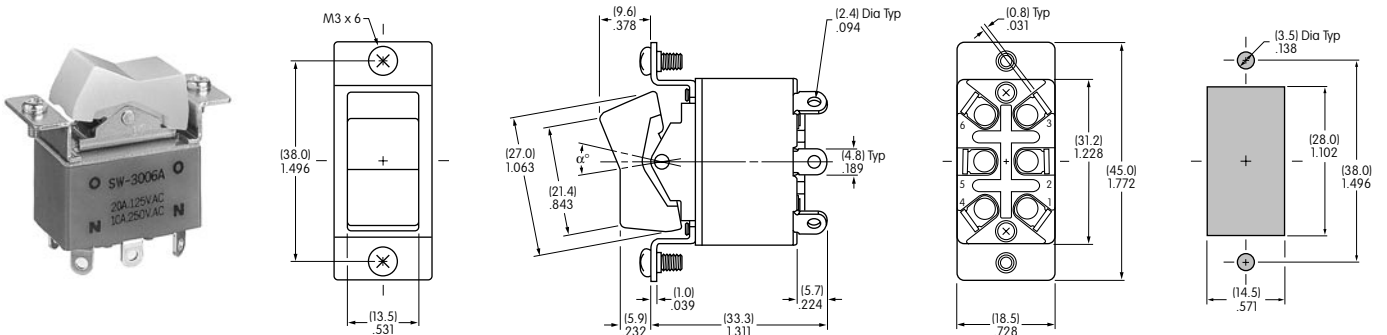
Maximum Effective Panel Thickness:
 .197" (5.0mm) for SW3001A & SW3002A models;
 .177" (4.5mm) for SW3003A models

DOUBLE POLE WITH SOLDER LUG

Model	Approvals	Pole	Rocker Position/Connected Terminals () = Momentary			Electrical Capacity				$\alpha =$ Angle of Throw
			Down	Center	Up	Resistive			Inductive AC 125V PF 0.6	
						AC 125V	AC 250V	DC 30V		
SW3006A		DPDT	ON 2-3 5-6	NONE	ON 2-1 5-4	20A	10A	20A	10A	24°
SW3007A		DPDT	ON 2-3 5-6	OFF	ON 2-1 5-4	15A	6A	15A	10A	28°
SW3008A		DPDT	(ON) 2-3 5-6	OFF	(ON) 2-1 5-4	15A	6A	15A	10A	24°

Throw & Schematic: DPDT

Note: Terminal numbers are actually on the switch.



SW3006A

Maximum Effective Panel Thickness:
 .197" (5.0mm) for SW3006A & SW3008A models;
 .177" (4.5mm) for SW3007A models

GENERAL SPECIFICATIONS FOR SW3800s

Electrical Capacity (Resistive & Inductive Load)

Power Level: Shown in the following tables

Note: See Supplement section for details of design for inductive DC loads.

Other Ratings

Contact Resistance:	10 milliohms maximum
Insulation Resistance:	1,000 megohms minimum @ 500V DC
Dielectric Strength:	2,000V AC minimum for 1 minute minimum
Mechanical Life:	50,000 operations minimum
Electrical Life:	25,000 operations minimum
Angle of Throw:	Shown on following drawings
Nominal Operating Force:	1,800 grams for SW3822
	2,200 grams for SW3823 Off to On
	800 grams for SW3823 On to Off

Materials & Finishes

Rocker:	Urea resin; all rockers are white.
Mounting Frame:	Steel with chromate plating over zinc plating
Case Cover/Insulator:	Phenolic resin
Case:	Melamine phenol
Movable Contacts:	Copper with silver plating
Stationary Contacts:	Silver alloy plus copper with silver plating
Terminals:	Brass (terminal screws of brass with nickel plating)

Environmental Data

Operating Temp Range: -10°C through +70°C (+14°F through +158°F)

Standards & Certifications



UL Recognized: UL symbol shown on following pages indicates models recognized. UL File No. WOYR2.E44145; see Supplement section to find UL rating details.



C-UL Recognized: C-UL symbol shown on following pages indicates models recognized. C-UL File No. WOYR8.E44145; see Supplement section to find C-UL rating details.



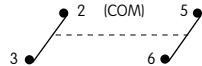
CSA Certified: CSA symbol shown on following pages indicates models certified. CSA File No. 023535-0-000; see Supplement section to find CSA rating details.

DOUBLE POLE WITH SCREW LUG

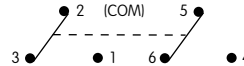
Model	Approvals	Pole	Rocker Position/Connected Terminals						Electrical Capacity					
			Down		Center	Up		Resistive				Inductive		
			AC 125V	AC 250V	DC 30V	DC 125V	AC 125V PF 0.6	AC 250V PF 0.6						
SW3821		DPST	ON	2-3 5-6	NONE	OFF	—	30A	30A	30A	1A	30A	15A	
SW3822		DPDT	ON	2-3 5-6	NONE	ON	2-1 5-4	30A	30A	30A	1A	30A	15A	
SW3823		DPDT	ON	2-3 5-6	OFF	ON	2-1 5-4	30A	30A	30A	1A	30A	15A	
SW3821D		DPST	ON	2-3 5-6	NONE	OFF	—	—	—	30A	15A	—	—	
SW3822D		DPDT	ON	2-3 5-6	NONE	ON	2-1 5-4	—	—	30A	15A	—	—	
SW3823D		DPDT	ON	2-3 5-6	OFF	ON	2-1 5-4	—	—	30A	15A	—	—	

Throw & Schematics:

DPST



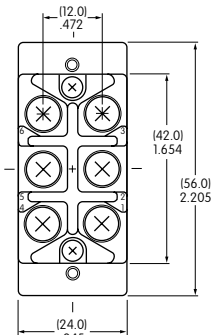
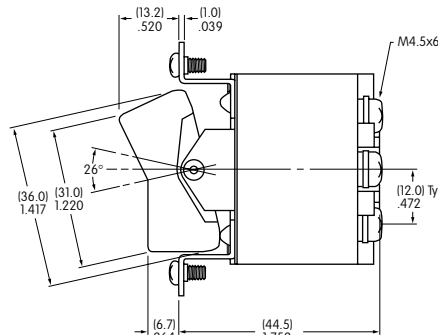
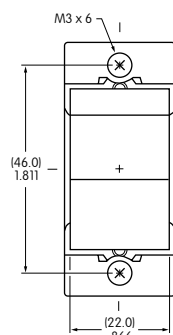
DPDT



Note: Terminal numbers are actually on the switch.



SW3822



SW3821 & SW3821D do not have terminals 1 & 4.

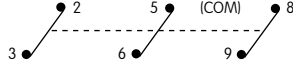
Maximum Effective Panel Thickness .177" (4.5mm)
Panel cutout shown below.

THREE POLE WITH SCREW LUG

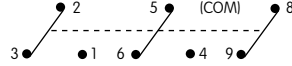
Model	Approvals	Pole	Rocker Position/Connected Terminals						Electrical Capacity					
			Down		Center	Up		Resistive				Inductive		
			AC 125V	AC 250V	DC 30V	DC 125V	AC 125V PF 0.6	AC 250V PF 0.6						
SW3831		3PST	ON	2-3 5-6 8-9	NONE	OFF	—	30A	30A	30A	1A	30A	15A	
SW3832		3PDT	ON	2-3 5-6 8-9	NONE	ON	2-1 5-4 8-7	30A	30A	30A	1A	30A	15A	
SW3833		3PDT	ON	2-3 5-6 8-9	OFF	ON	2-1 5-4 8-7	30A	30A	30A	1A	30A	15A	
SW3831D		3PST	ON	2-3 5-6 8-9	NONE	OFF	—	—	—	30A	15A	—	—	
SW3832D		3PDT	ON	2-3 5-6 8-9	NONE	ON	2-1 5-4 8-7	—	—	30A	15A	—	—	
SW3833D		3PDT	ON	2-3 5-6 8-9	OFF	ON	2-1 5-4 8-7	—	—	30A	15A	—	—	

Throw & Schematics:

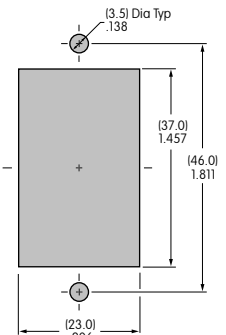
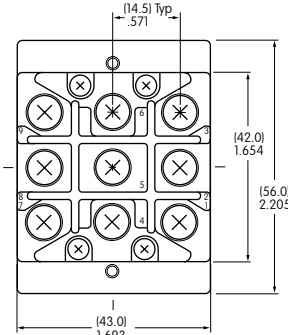
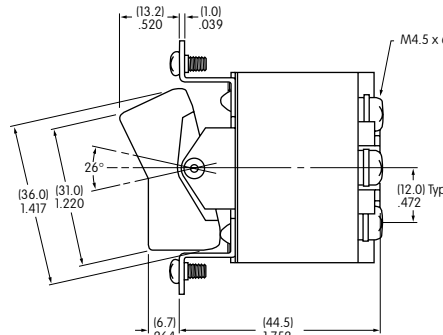
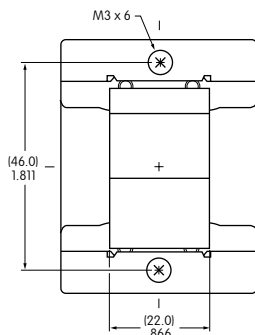
3PST



3PDT



Note: Terminal numbers are actually on the switch.



SW3831 & SW3831D do not have terminals 1, 4 & 7.

Maximum Effective Panel Thickness .177" (4.5mm)