

REV. BH

UNLESS OTHERWISE NOTED
 DIMENSIONS ARE IN INCHES TOLERANCES ARE:
 ONE PLACE DECIMALS ± .1[2.5] THREE PLACE DECIMALS ± .005[.127] ANGLES ± 2°
 TWO PLACE DECIMALS ± .01[.25] FOUR PLACE DECIMALS ± .0020[.051]

TITLE: 2MM SOCKET STRIP ASSEMBLY
 DWG NO: SQT-1XX-XX-XXX-X-XXX-XXX
 SHEET 2 OF 3

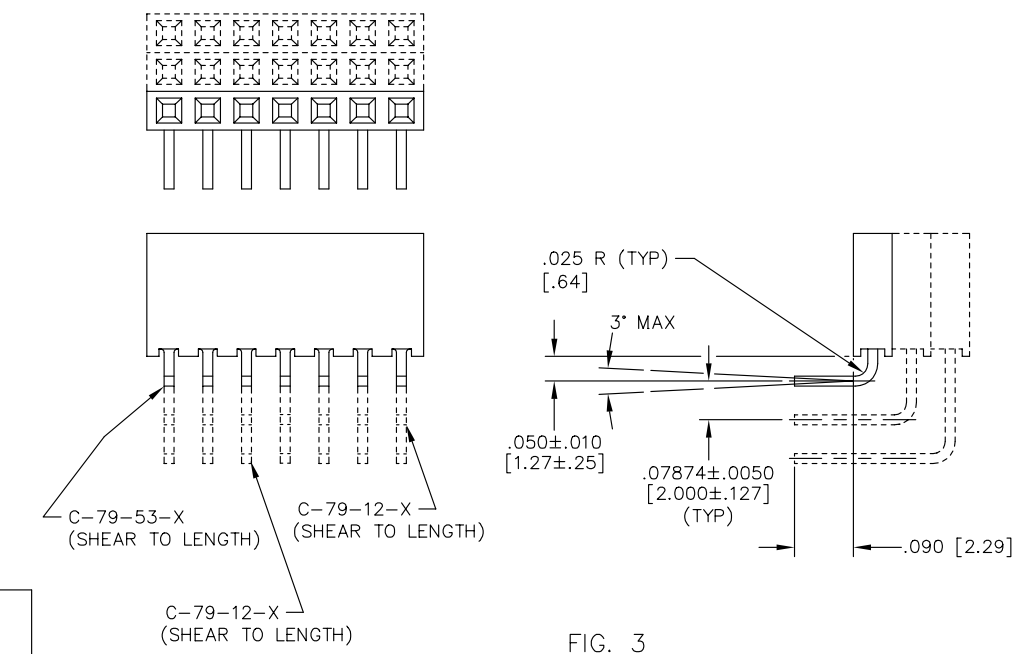
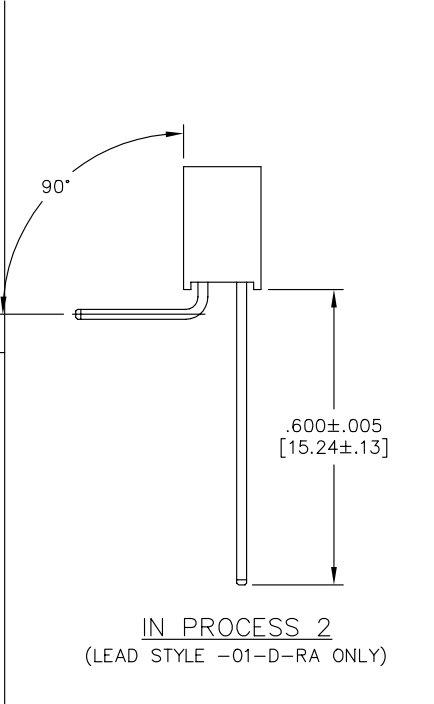
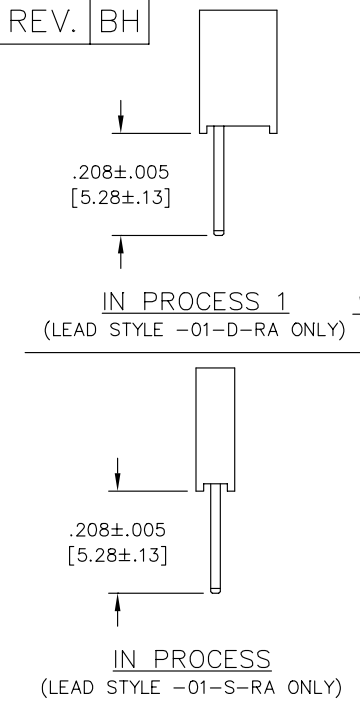
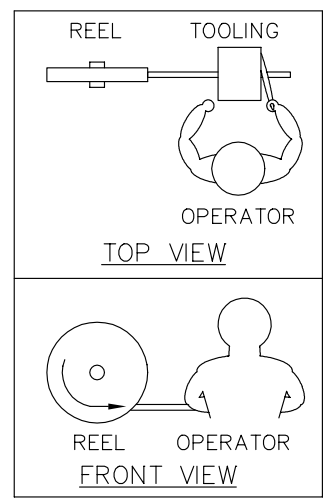


FIG. 3
 -RA: RIGHT ANGLE
 (-01 STYLE SINGLE, DOUBLE, AND TRIPLE ROW)



WASHER REEL ASSEMBLY ORIENTATION VIEW

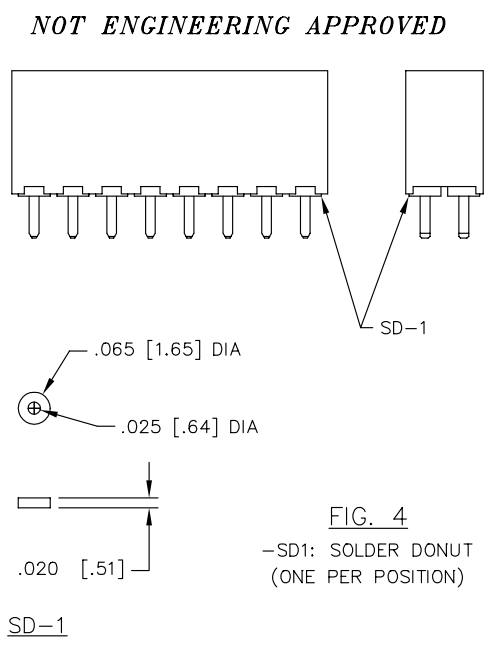


FIG. 4
 -SD1: SOLDER DONUT (ONE PER POSITION)

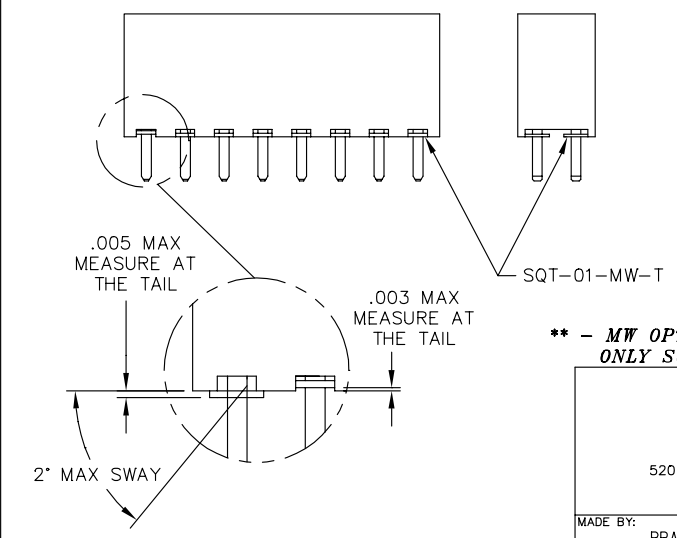


FIG. 5
 ** -MW: METAL WASHER (ONE PER POSITION)
 (AVAILABLE ON LEAD STYLES -01 & -03 ONLY)
 (5 POS MIN)
 (30 POS MAX)

**** - MW OPTION, DO NOT DESIGN IN. SAMTEC WILL ONLY SUPPORT EXISTING BUSINESS 2/06/02.**

PROPRIETARY NOTE
 THIS DOCUMENT CONTAINS INFORMATION CONFIDENTIAL AND PROPRIETARY TO SAMTEC INC. AND SHALL NOT BE REPRODUCED OR TRANSMITTED TO OTHER DOCUMENTS OR DISCLOSED TO OTHERS OR USED FOR ANY PURPOSE OTHER THAN THAT FOR WHICH IT WAS OBTAINED WITHOUT THE EXPRESSED WRITTEN CONSENT OF SAMTEC INC.

MISC\MKTG SQT-MKT2

samtec

520 PARK EAST BLVD. NEW ALBANY, INDIANA 47150
 PHONE (812) 944-6733 P.O. BOX 1147
 CODE 55322

MADE BY: BRATCHER 7-24-95

SQT-1XX-XX-XXX-X-XXX-XXX
 SHEET 2 OF 3