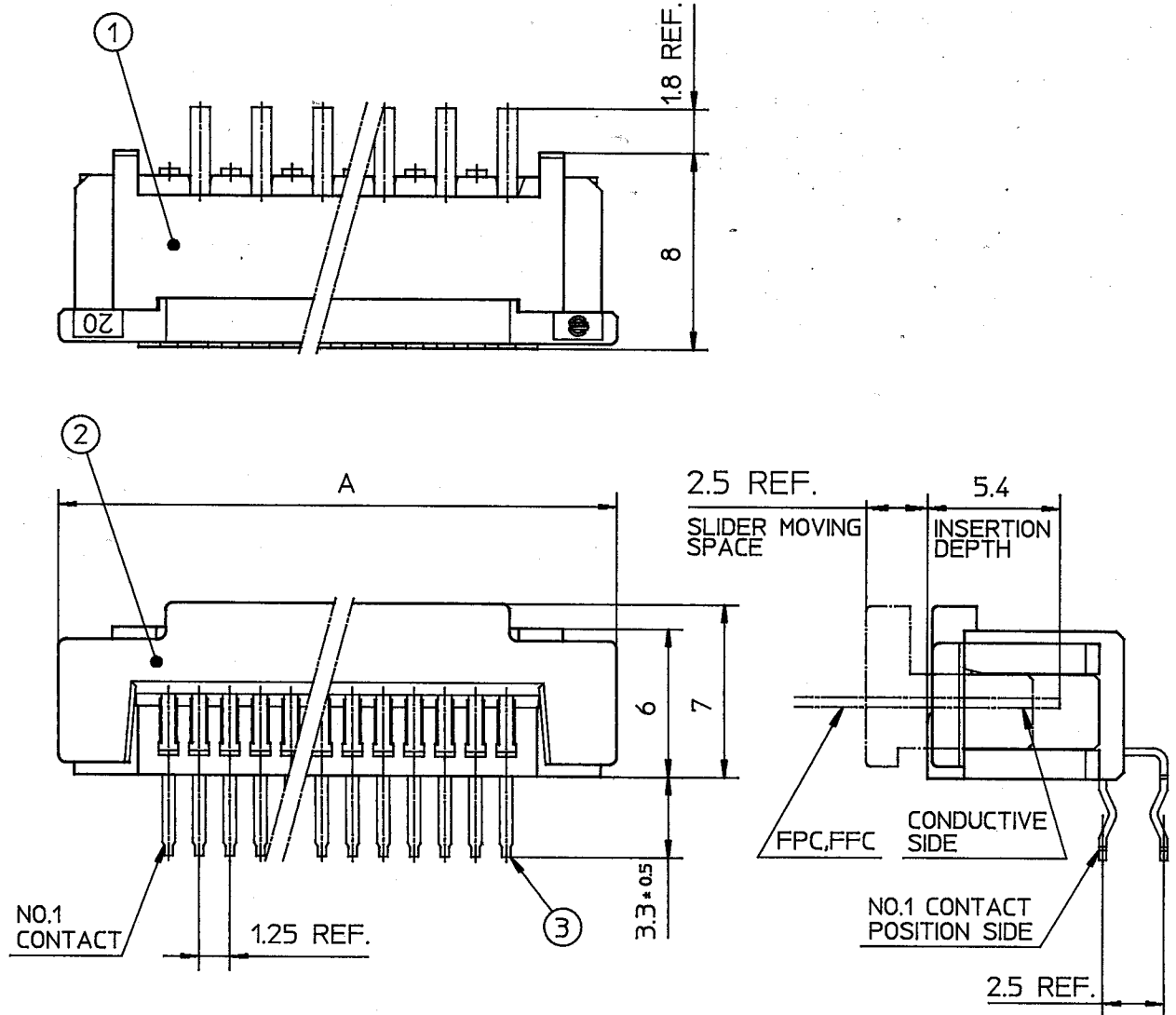


TOLERANCES
UNLESS OTHERWISE SPECIFIED : ±0.3



PT. NO.	PARTS NAME	MATERIAL	Q'TY	NOTE
1	HOUSING	PBT RESIN GLASS REINFORCED (UL94V-0)	1	COLOR : BLACK
2	SLIDER		1	
3	CONTACT	PHOSPHOR BRONZE	n	PLATING : TIN ALLOY

n : NO. OF CONTACTS

				SCALE	×	ZIFLOK	
				DIM. IN	mm	CAT. NO.	
1	'93 2-18	SHAPE CHANGED	<i>SQ</i>	DESIGNED	SLD __ R - 1		
REV.	DATE	DESCRIPTION	CKD.	DRAWN	<i>M. Oba</i>	DRAWING NO.	REV.
MATERIAL				CHECKED	JSA 91821		
				APPROVED	<i>S. Ita</i>	1	
				DATE	Nov. 17. 1992		

SC-SLDO1 JSA91820

FILE