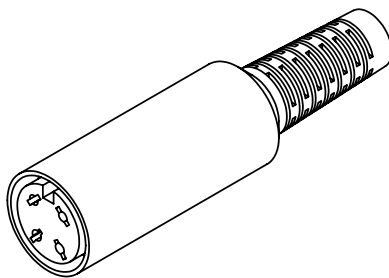
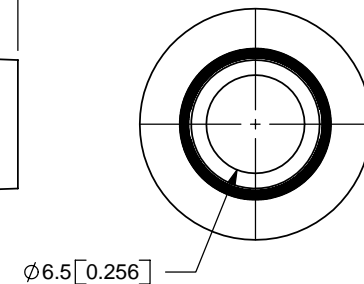
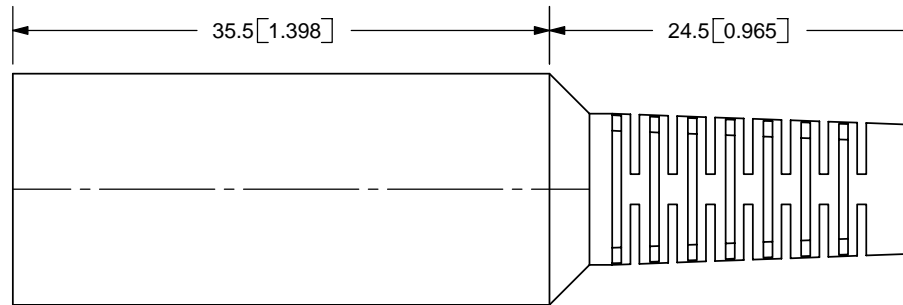
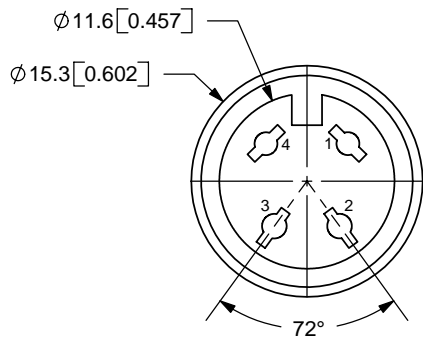


REV.	DESCRIPTION	DATE
A	NEW DRAWING	3/1/2006



SCALE 1:1

NOTES:
RECOMENDED WIRE RANGE: 24AWG-28AWG

SPECIFICATIONS:
RATING: 100V AC @ 2A
CONTACT RESISTANCE: PINS-10m OHMS MAX; SHELL-50m OHMS MAX
INSULATION RESISTANCE: 100M OHMS MIN; 500V DC
VOLTAGE WITHSTAND: 1000V AC R.M.S. FOR 1 MINUTE
LIFE: 5,000 CYCLES

TOLERANCE:
X.X ±0.1mm
X.XX ±0.05mm



9615 SW Allen Blvd., Ste. 103
Beaverton, OR 97005
Phone: 503-643-4899
800-275-4899
Fax: 503-372-1266
Website: www.cui.com

	MATERIAL	PLATING	TITLE: IN-LINE RECEPTACLE	REV: A
PINS	Brass	Silver	PART NO. SD-40J	UNITS: MM [INCHES]
SHELL	Steel	Nickel		
INSULATOR	PC		DRAWN BY: ZRJ	APPROVED BY:
BOOT	PVC			

PC FILE NAME:
SD-40J

COPYRIGHT 2006 BY CUI INC.