

## GENERAL SPECIFICATIONS FOR S800s ~ S732

### Electrical Capacity (Resistive & Inductive Load)

**Power Level:** Shown in the following tables

### Other Ratings

**Contact Resistance:** 10 milliohms maximum  
**Insulation Resistance:** 1,000 megohms minimum @ 500V DC  
**Dielectric Strength:** 2,000V AC minimum for 1 minute minimum for S800s & S800Ds  
 3,000V AC minimum for 1 minute minimum for S732  
**Mechanical Life:** 50,000 operations minimum  
**Electrical Life:** 10,000 operations minimum for S800Ds  
 25,000 operations minimum for S800s & S732

### Materials & Finishes

**Toggle:** Brass with nickel plating for S732  
 Brass with chrome plating for S800s & S800Ds  
**Bushing:** Brass with chrome plating  
**Case:** Phenolic resin for S732; melamine phenol for S800s  
**Case Cover:** Steel with chromate plating over zinc plating  
**Movable Contactor Plate:** Copper with silver plating  
**Movable & Stationary Contacts:** Silver alloy capped on copper with silver plating  
**Common Terminals:** Brass  
**Contact Terminals:** Brass with silver or nickel plating

### Environmental Data

**Operating Temp Range:** -10°C through +70°C (+14°F through +158°F)

### Installation

**Mounting Torque:** 2.94Nm (26 lb•in) for double nut  
**Maximum Panel Thickness:** Shown beneath panel cutout in switch dimension drawings

### Standards & Certifications

**UL Recognized:** Designated with UL recognized symbol beside part numbers on following pages  
 See Supplement section to find UL rating details. UL File No. WOYR2.E44145  
 Add "/U" to end of part number to order UL mark on switch.  
**C-UL Recognized:** Designated with C-UL recognized symbol beside part numbers on following pages  
 See Supplement section to find C-UL rating details. C-UL File No. WOYR8.E44145  
 Add "/C-UL" to end of part number to order C-UL mark on switch.  
**CSA Certified:** Designated with CSA certified symbol beside part numbers on following pages  
 See Supplement section to find CSA rating details. File No. 023535-0-000  
 Add "/C" to end of part number to order CSA mark on switch.

### DOUBLE POLE WITH SCREW LUG

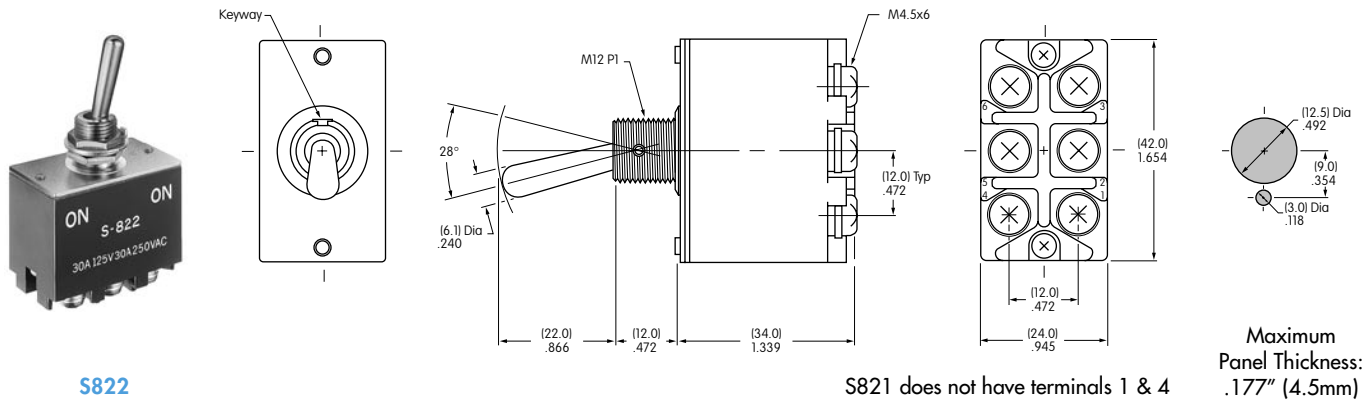
Model	Approvals	Pole & Throw	Toggle Position/Connected Terminals						Electrical Capacity					
			Down		Center	Up		Resistive			Inductive		Motor Load	
			Keyway	Keyway	Keyway	AC 125V	AC 250V	DC 30V	DC 125V	AC 125V PF 0.6	AC 250V PF 0.6	AC 125V		
S821		DPST	ON	2-3 5-6	NONE	OFF	—	30A	30A	30A	1A	30A	15A	750W
S822		DPDT	ON	2-3 5-6	NONE	ON	2-1 5-4	30A	30A	30A	1A	30A	15A	—
S823		DPDT	ON	2-3 5-6	OFF	ON	2-1 5-4	30A	30A	30A	1A	30A	15A	—

**Throw & Schematics:**



Note: Terminal numbers are on the switch

• Standard Hardware: AT503M Face Hex Nut, AT506 Locking Ring, AT508 Lockwasher, AT527M Backup Hex Nut. See Accessories & Hardware section.

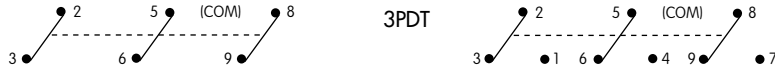


S822

### THREE POLE WITH SCREW LUG

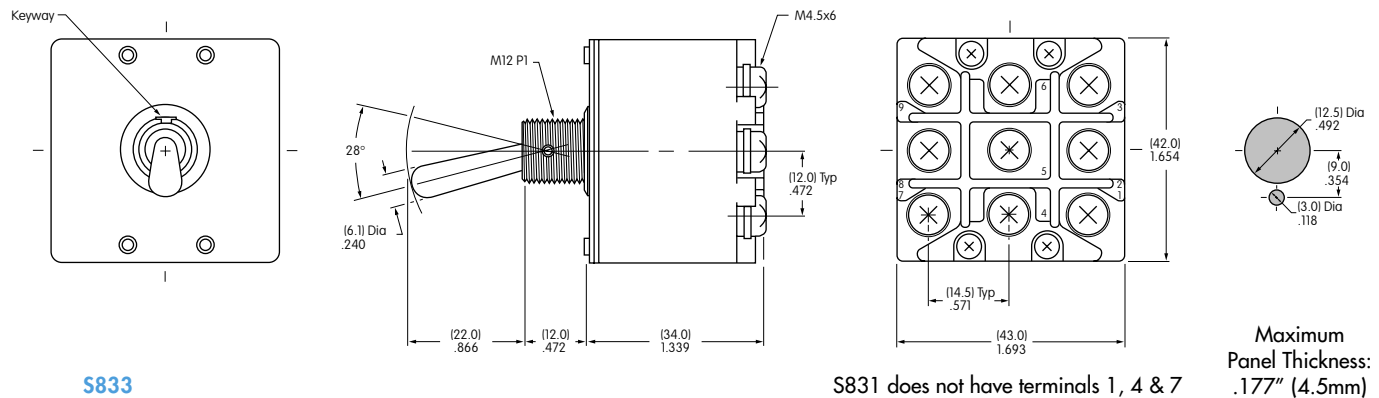
Model	Approvals	Pole & Throw	Toggle Position/Connected Terminals						Electrical Capacity					
			Down		Center	Up		Resistive			Inductive			
			Keyway	Keyway	Keyway	AC 125V	AC 250V	DC 30V	DC 125V	AC 125V PF 0.6	AC 250V PF 0.6			
S831		3PST	ON	2-3 5-6 8-9	NONE	OFF	—	30A	30A	30A	1A	30A	15A	
S832		3PDT	ON	2-3 5-6 8-9	NONE	ON	2-1 5-4 8-7	30A	30A	30A	1A	30A	15A	
S833		3PDT	ON	2-3 5-6 8-9	OFF	ON	2-1 5-4 8-7	30A	30A	30A	1A	30A	15A	

**Throw & Schematics:**



Note: Terminal numbers are on the switch

• Standard Hardware: AT503M Face Hex Nut, AT506 Locking Ring, AT508 Lockwasher, AT527M Backup Hex Nut. See Accessories & Hardware section.



S833

### DOUBLE & THREE POLE WITH SCREW LUG & FLATTED LEVER

Model	Approvals	Pole & Throw	Toggle Position/Connected Terminals						Electrical Capacity							
			Down		Center	Up		Resistive				Inductive L/R = 3ms				
			Keyway	Keyway	Keyway	DC 30V	DC 48V	DC 125V	DC 250V	DC 24V	DC 48V	DC 125V	DC 250V			
S821D		DPST	ON	2-3 5-6	NONE	OFF	—	30A	30A	15A	7.5A	15A	10A	6A	3A	
S822D		DPDT	ON	2-3 5-6	NONE	ON	2-1 5-4	30A	30A	15A	7.5A	15A	10A	6A	3A	
S823D		DPDT	ON	2-3 5-6	OFF	ON	2-1 5-4	30A	30A	15A	7.5A	15A	10A	6A	3A	

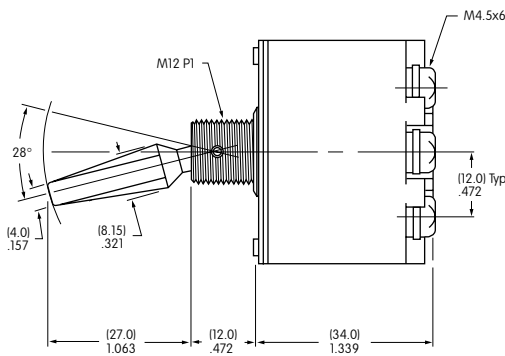
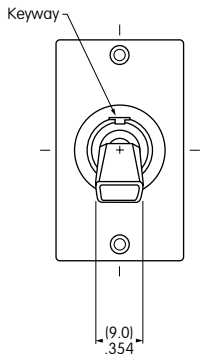
  

Throw & Schematics:	DPST	DPDT	Note:
			Note: Terminal numbers are on the switch

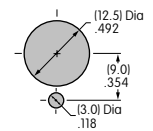
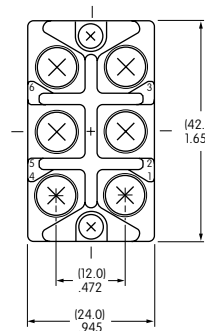
  

Throw & Schematics:	3PST	3PDT	Note:
			Note: Terminal numbers are on the switch

• Standard Hardware: AT503M Face Hex Nut, AT506 Locking Ring, AT508 Lockwasher, AT527M Backup Hex Nut. See Accessories & Hardware section.



Double Pole

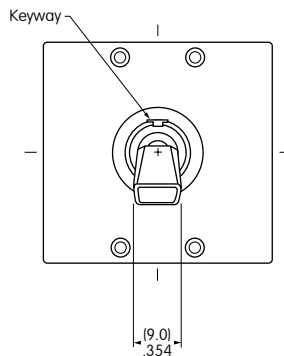


Maximum Panel Thickness: .177" (4.5mm)

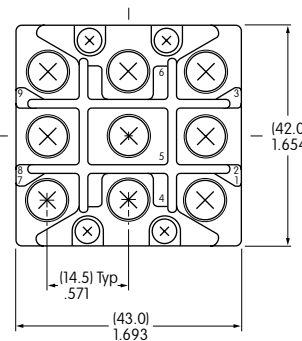
S821D does not have terminals 1 & 4



S832D






Three Pole



S831D does not have terminals 1, 4 & 7

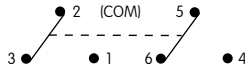
Positive (+) must be connected to end terminals & negative to common terminals

## DOUBLE POLE WITH SCREW LUG

Model	Approvals	Pole & Throw	Toggle Position/Connected Terminals				Electrical Capacity				
			Down 	Center 	Up 	Resistive			Inductive		
						AC 125V	AC 250V	DC 30V	AC 125V PF 0.6		
<b>S732</b>	— —	DPDT	ON	2-3 5-6	NONE	ON	2-1 5-4	50A	30A	50A	25A

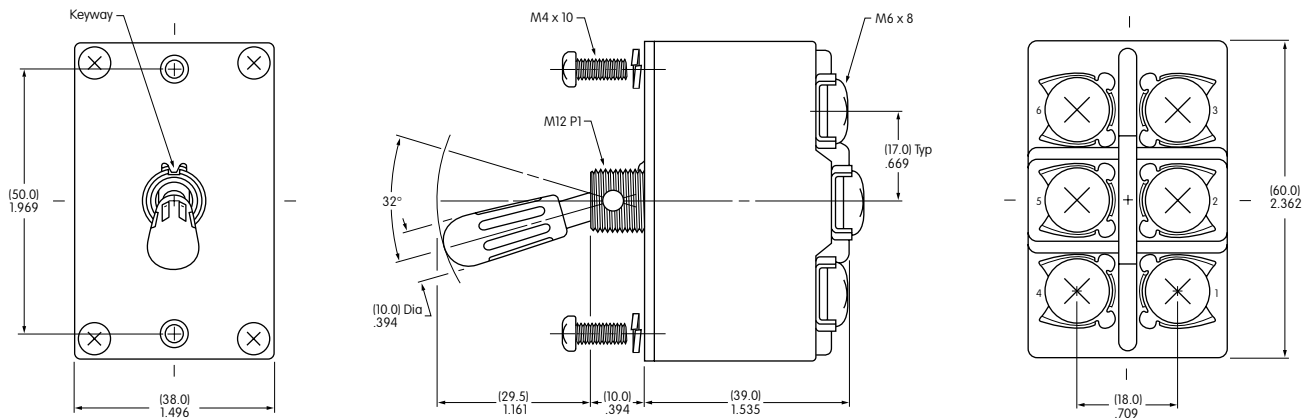
Throw & Schematics:

DPDT



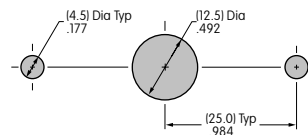
Note: Terminal numbers are on the switch

- Standard Hardware: AT503M Face Hex Nut, AT506 Locking Ring, AT508 Lockwasher, AT527M Backup Hex Nut. See Accessories & Hardware section.



Cap of phenolic resin is black

### Panel Mount with Mounting Screws

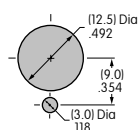


Maximum Panel Thickness:  
.158" (4.0mm)

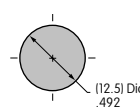


**S732**

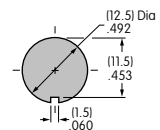
### Panel Mount with Bushing Hardware



Maximum Panel Thickness:  
.079" (2.0mm)



Maximum Panel Thickness:  
.118" (3.0mm)



Maximum Panel Thickness:  
.118" (3.0mm)