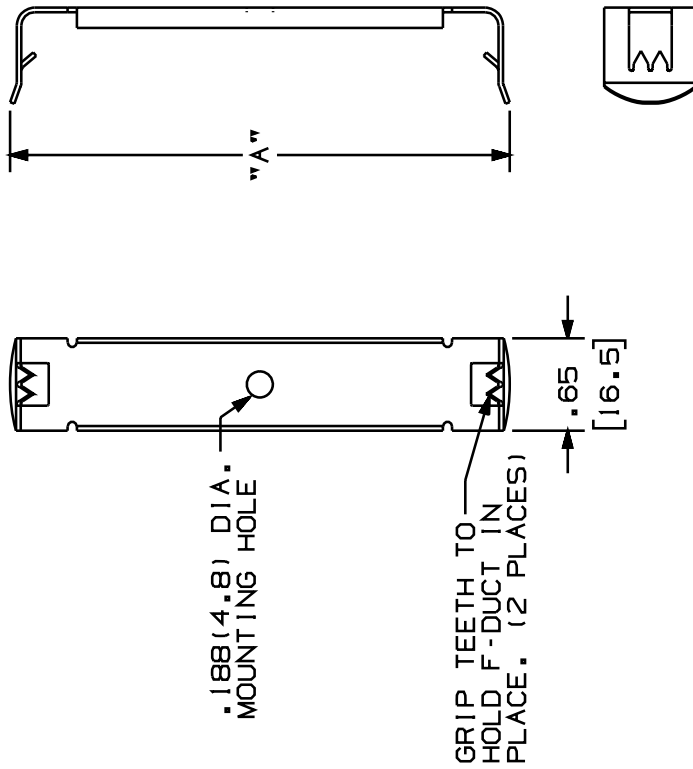


THIS COPY IS PROVIDED ON A RESTRICTED BASIS AND IS NOT TO BE USED IN ANY WAY DETRIMENTAL TO THE INTERESTS OF PANDUIT CORP.



PANDUIT PART NO.	DUCT WIDTH APPLIED TO	"A"	#8-32 X 1/4" SCREW INCLUDED	WEIGHT PER 100 PIECES
S1F	1.00(25.4)	1.51(38.4)	YES	1.3 LB (576 g)
SNS1F	1.00(25.4)	1.51(38.4)	NO	
S1.5F	1.50(38.1)	2.01(51.1)	YES	1.7 LB (758 g)
SNS1.5F	1.50(38.1)	2.01(51.1)	NO	
S2F	2.00(50.8)	2.51(63.8)	YES	2.0 LB (923 g)
SNS2F	2.00(50.8)	2.51(63.8)	NO	
S3F	3.00(76.2)	3.51(89.2)	YES	2.8 LB (1291 g)
SNS3F	3.00(76.2)	3.51(89.2)	NO	
S4F	4.00(101.6)	4.51(114.6)	YES	3.6 LB (1629 g)
SNS4F	4.00(101.6)	4.51(114.6)	NO	

NOTES:

- 1. SEE CURRENT CATALOG FOR ADDITIONAL PART NUMBER SUFFIXES TO INDICATE COLOR AND OR PACKAGE QUANTITY.
- 2. ONE SCREW PROVIDED FOR MOUNTING BRACKET AS NOTED IN CHART.
- 3. DIMENSIONS IN PARENTHESES ARE IN METRIC.

CAD FILENAME/LAYERS

D34301\_SNS\_F\_CLIPS\_C (D)

PANDUIT

TINLEY PARK, ILLINOIS

"F" DUCT SNAP CLIP MOUNTING BRACKET (S1F, S1.5F, S2F, S3F, S4F, SNS1F, SNS1.5F, SNS2F, SNS3F, SNS4F) CUSTOMER DRAWING

UNLESS OTHERWISE SPECIFIED, DIMENSIONAL TOLERANCES ARE:  
 (XX) ± .031, (XXX) ± .010 (0.3)  
 IN INCHES. THIRD ANGLE PROJECTION.

UNLESS OTHERWISE SPECIFIED, ALL DIMENSIONS ARE GIVEN IN INCHES. THIRD ANGLE PROJECTION.

DRAWN BY: DW  
 DATE: 5/5/93  
 CHK'D: R

MAT'L: NONE  
 SCALE: NONE  
 DRAWING NO.: 34301-06  
 DRG SIZE: A

RELEASED TO PRODUCTION

34301-06

ECN - R

CUST SUP

DESCRIPTION

DATE BY CHK

5/5/93 DW R

REV