

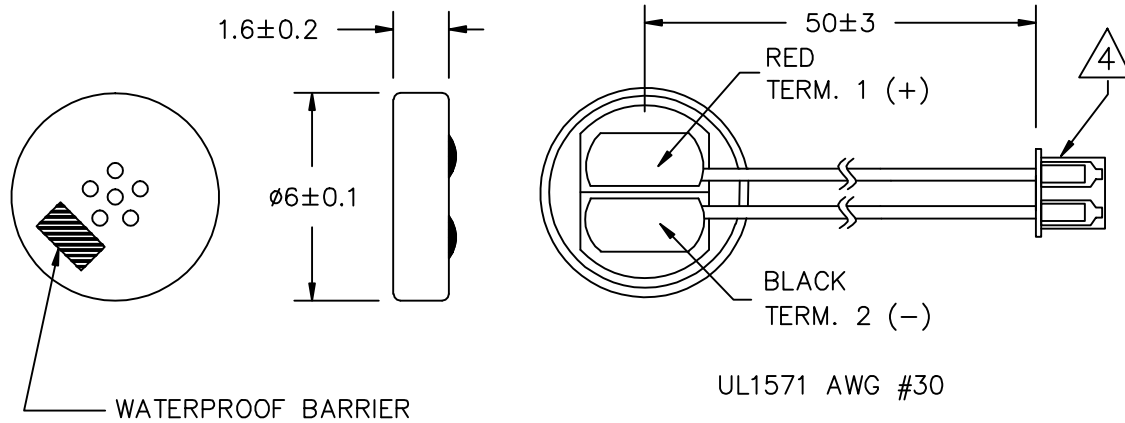
THIS DOCUMENT CONTAINS DATA PROPRIETARY TO PROJECTS UNLIMITED, INC. ANY USE OR REPRODUCTION, IN ANY FORM, WITHOUT PRIOR WRITTEN PERMISSION OF PROJECTS UNLIMITED, INC. IS PROHIBITED.  
 ©2005, Projects Unlimited Inc.

SPECIFICATIONS

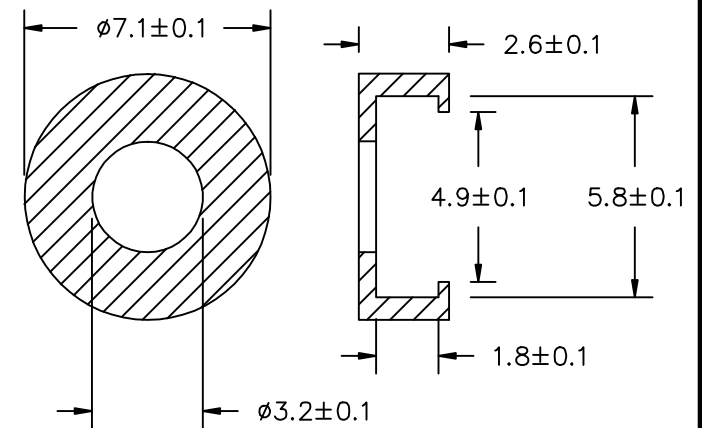
PARAMETERS	VALUES	UNITS
DIRECTIVITY	OMNI	-
SENSITIVITY	-44±3	dB
STANDARD OPERATING VOLTAGE	2	Vdc
MAX OPERATING VOLTAGE	10	Vdc
CURRENT CONSUMPTION (MAX)	0.5	mA
IMPEDANCE	2.2	kOhm
SIGNAL TO NOISE RATIO (MIN.)	60	dB
OPERATING TEMPERATURE RANGE	-20 ~ +70	°C
TERMINAL	LEAD WIRE	-

REVISIONS			
LTR	DESCRIPTION	DATE	APPROVED
-	RELEASED FROM ENGINEERING	10/10/06	
A	REVISED OPERATING TEMP. & IP RATING	6/9/08	B.R.

MICROPHONE




RUBBER HOLDER



NOTES:

1. ALL DIMENSIONS ARE IN MILLIMETERS.
2. SPECIFICATION SUBJECT TO CHANGE OR WITHDRAWAL WITHOUT NOTICE.
3. THIS PART IS RoHS 2002/95/EC COMPLIANT.
4. MOLEX CONNECTOR P/N: 51021-0200
5. PART IS IP57 RATED.
6. ASSEMBLY IS WASHABLE WITH BOOT IN PLACE.

FILE NAME  
 POW-1644L-LWC50-B-R.DWG

UNLESS OTHERWISE SPECIFIED: DIMENSIONS ARE IN MILLIMETERS, TOLERANCES ARE $\pm 0.5$ AND ANGLES ARE $\pm 3^\circ$ .		 A Division of Projects Unlimited	6300 Sand Lake Road Dayton, Ohio 45414
APPROVALS	DATE		
DRAWN	J.D.	10/06	MICROPHONE DRAWING NO. POW-1644L-LWC50-B-R
CHECKED	B.R.	10/06	
APPROVED	R.W.	10/06	
SCALE: N.T.S.		SIZE	SHEET 1 OF 1